

► **Code Number**
16010471

► **Description**
Double Station Lavatory System Equipped with Sloan OPTIMA® Sensor Activated Faucets. Deck consists of biobased materials.

► **Specifications**
Double Station Lavatory System with Sloan Sensor Activated, Chrome Plated Hand Washing

Faucets with the following features:

- Lavatory deck constructed with biobased material
- Integral overflow drainage system
- Flat Strainer Drain
- Vitreous China Undermount Sink

► **Sloan Optima® Faucets features*:**

- Troubleshooting LED Indicator Lights
- Filtered Solenoid with serviceable Strainer Filter
- Hardwire or Battery powered
- Water saving 0.5 gpm/1.9 Lpm max. aerator

► **Variations**

- AB - Angle Brackets
- SD - Soap Dispenser
- Integrated Front Apron
- Left Side Splash
- Right Side Splash

► **Colors**

- Corn Cob
- Rusted Maple
- Grey
- Jade Green

► **Soaps**

- Liquid Soap
- GreenSeal Approved Foam Soap – Fragrance Free
- GreenSeal Approved Foam Soap – Rose

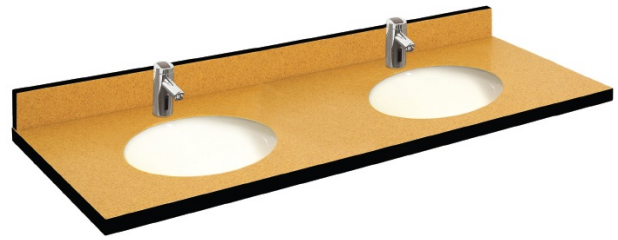
► **SOAP DISPENSER OPTIONS**

- SJS-1650
- SJS-1750

► **NOTE**

* Faucet features may vary. See Optima® faucet specification sheets for details or contact Sloan Valve Company or your Sloan Representative.

► **OPERATION**



► **The New Bio-Deck™ Lavatory System — A Perfect Match**

The performance and dependability of Sloan Optima® Bio-Deck utilize biobased materials such as corn cobs or may be composed, in whole or in part, of biological products, renewable domestic agricultural or forestry materials. This offers a renewable alternative to petroleum-based fillers.

Hygienic and durable, a Bio-Deck Lavatory System is easy to install and easy to maintain.

Bio-Deck™ Lavatory Systems can be provided with your choice of Sloan electronic Optima® faucet. The "hands-free" operation of an electronic Optima® faucet ensures hygiene while maintaining an aesthetically pleasing look that is suited for any public rest room u installation.

► **Compliance & Certifications**



The lavatory system is designed to comply with all applicable ADA, UFAS, Texas Accessibility Standards (TAS), and ANSI Z124.3 and Z124.6 accessibility guidelines when mounted at the standard 34" rim height.

Sloan Vitreous China is:



Sloan Optima Faucets are:

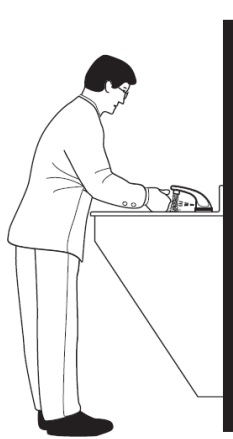


This space for Architect/Engineer Approval

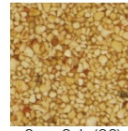
► **BIO-DECK COLORS**

OPERATION

As the user's hands enter the beam's effective range, the beam is reflected back into the sensor receiver and activates the solenoid valve allowing water to flow from the faucet. Water will flow until user's hands are removed or until the faucet reaches its automatic time out limit setting.



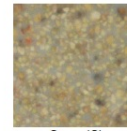
Standard Colors



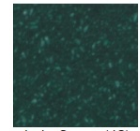
Corn Cob (CC)



Rustic Maple (RM)



Grey (G)



Jade Green (JG)

► Faucet Options



EAF-100 and EAF-150



ETF-610, EBF-615, and EBF-625



EAF-225



EAF-200 and EAF-250



EAF-275

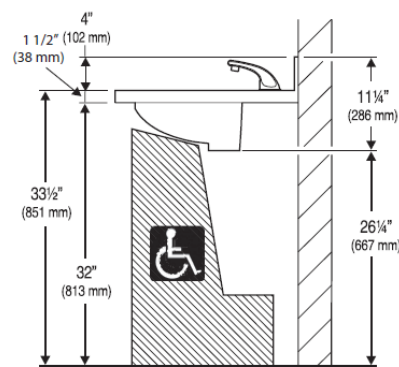
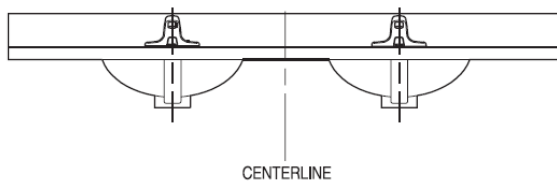
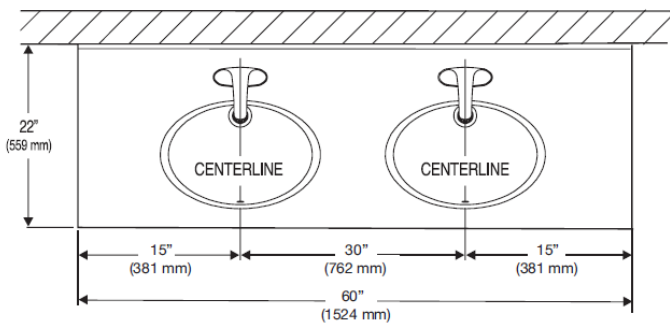


SJS-1650



SJS-1750

► ROUGH-IN



Consult local electrical codes for the mounting location of the 110/24 VAC Class 2 transformer/adaptor.

For additional technical information, contact the Sloan Installation Engineering Department at 1-888-SLOAN-14 (1-888-756-2614) or techsupport@sloanvalve.com