

► **Code Number**  
3346080

► **Description**

The ESD-400 sensor activated foam soap dispenser is the next evolution in dispenser technology. It uses a refill bottle that simplifies replacement and reduces waste. Its sensor technology offers hands-free operation by delivering a pre-measured foam soap application "on demand."

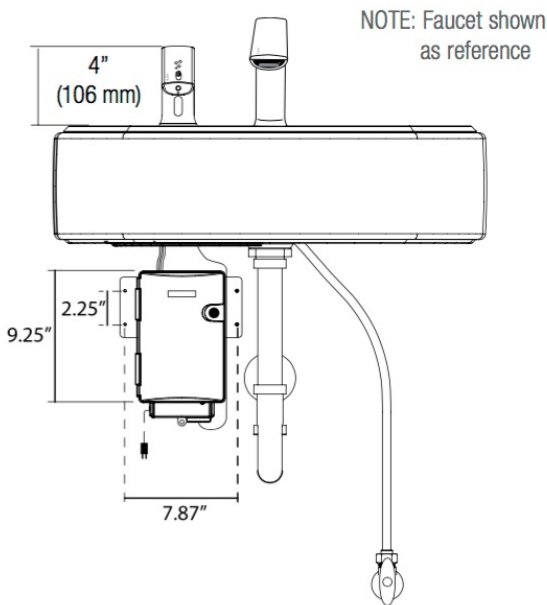
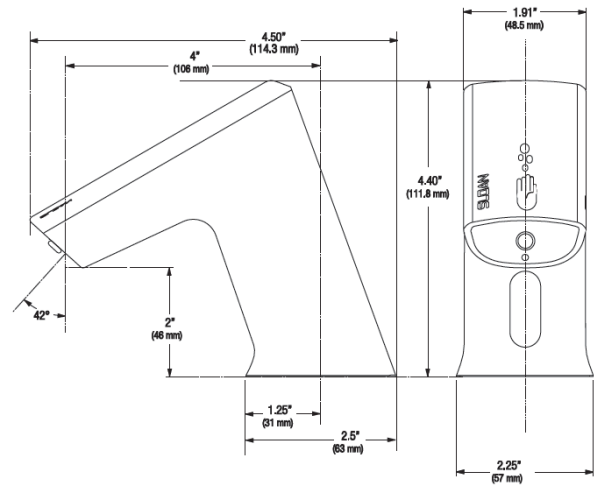
► **Specifications**

Sensor Activated, Electronic, Chrome Plated Die Cast Body, Hand Washing Soap Dispenser with the following features:

- Modular One-piece Construction and easily attaches to deck surface
- Low Soap Level Indicator
- One tool service
- All electronics sealed
- Soap sold separately
- Double infrared sensors with automatic setting feature

► **Electrical Specifications**

- AC Power Plug-in only
- Sensor Range - Nominal: 4" - 5" (102-127 mm) Dispenser Adaptive Self-Adjustment Range: 1"-6" (25-150 mm) nominal
- GFI outlet suggested per code
- 120V/15 Amp



► **Compliance & Certifications**



This space for Architect/Engineer Approval