

# dyson airblade tap

AB AB AB  
09 10 11

## Electrical

Input voltage/Frequency: 120V-127V 60 Hz

Rated power: 1400 W

Motor type: Dyson digital motor – V4 brushless DC Motor

Motor switching rate: 6,100 per second

Motor speed: 92,000 rpm

Operating temperature range: 0° – 40°C

Heater type: None

Standby power consumption: Less than 0.5 W

## Construction

Tap construction: Stainless steel (brushed)

Under counter motor assembly construction: Molded ABS (main unit) also uses PC and PP

Exterior screw type: Torx T15

Water ingress protection rating to IP35

## Filter

HEPA filter (glass fiber and fleece prelayer)

Bacteria removal 99.97% at 0.3 microns

## Operation

Touch-free infra-red activation

Hand dry time measurement: 14 seconds (Measurement based on National Sanitation Foundation Protocol P335)

Operation lock-out period: 30 seconds

Airspeed at apertures: 420 mph

Operating airflow: Up to 30 l/s

## Water operation

Water flow rate: 4L/min

Tap Aerator: Aerated water outlet

Tap power supply: Mains supply

Water temperature control: Thermostatic mixer recommended (not supplied)

Water pressure required: 1-8 psi

## Logistics

Serial number prefix: AB09 AN5; AB10 AN6; AB11 AN7

Single unit order code: AB09 25992-01; AB10 25993-01; AB11 25994-01

Net weight: AB09 9.5 lbs.; AB10 10.1 lbs.; AB11 TBC

Packaged weight: AB09 13.4 lbs.; AB10 14.3 lbs.; AB11 TBC

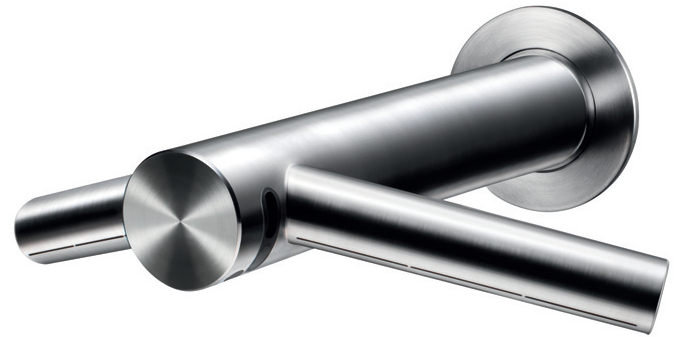
Packaged dimensions: AB09 H11.92" × W11.18" × D11.26"; AB10 H17.20" × W10.87" × D11.02"; AB11 H24.01" × W11.93" × D14.76"

Unit barcode: AB09 8799 5700 9110;

AB10 8799 5700 9127; AB11 8799 5700 9141

## Standard guarantee

5 year parts and 5 year limited labor warranty



## Product range

AB09 Short



AB10 Long



AB11 Wall



The Carbon Reduction Label is the registered trademark of the Carbon Trust.

For further information, please contact Dyson.  
888-DYSON-AB • [www.dyson.com/handdryers](http://www.dyson.com/handdryers)

# dyson airblade tap

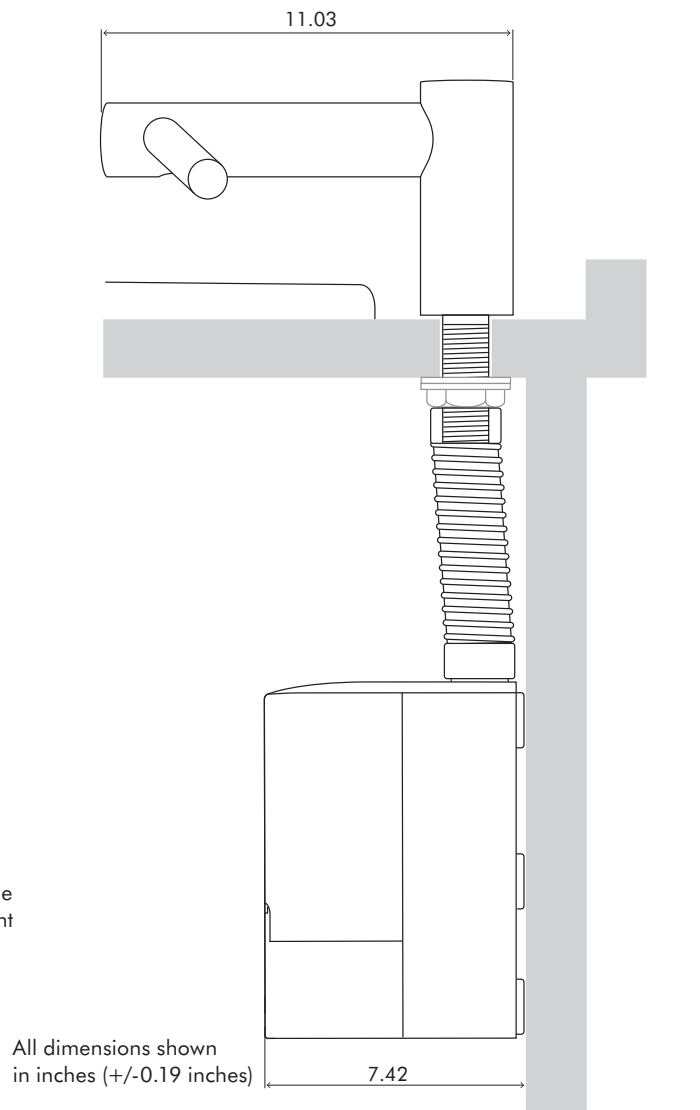
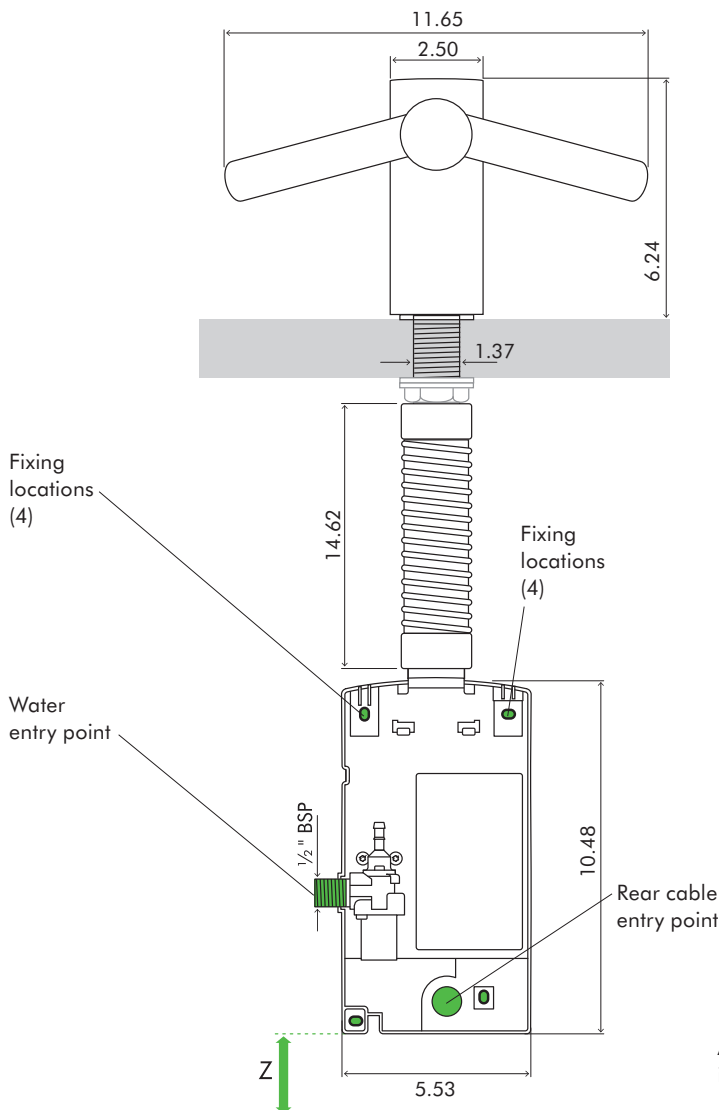
## TECHNICAL SPECIFICATION

AB AB AB  
09 10 11



FRONT ELEVATION

SIDE ELEVATION



All dimensions shown in inches (+/-0.19 inches)

FLOOR

### Tap dimensions

AB09 Height 6.24" Width 11.42" Depth 11.04"

### Motor bucket dimensions

AB09 Height 10.47" Width 5.53" Depth 7.42"

### Minimum clearance

Z 3.94" clearance from floor.

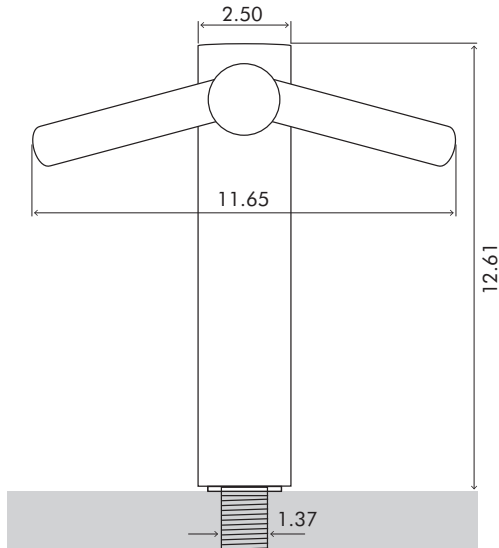
# dyson airblade tap

## TECHNICAL SPECIFICATION

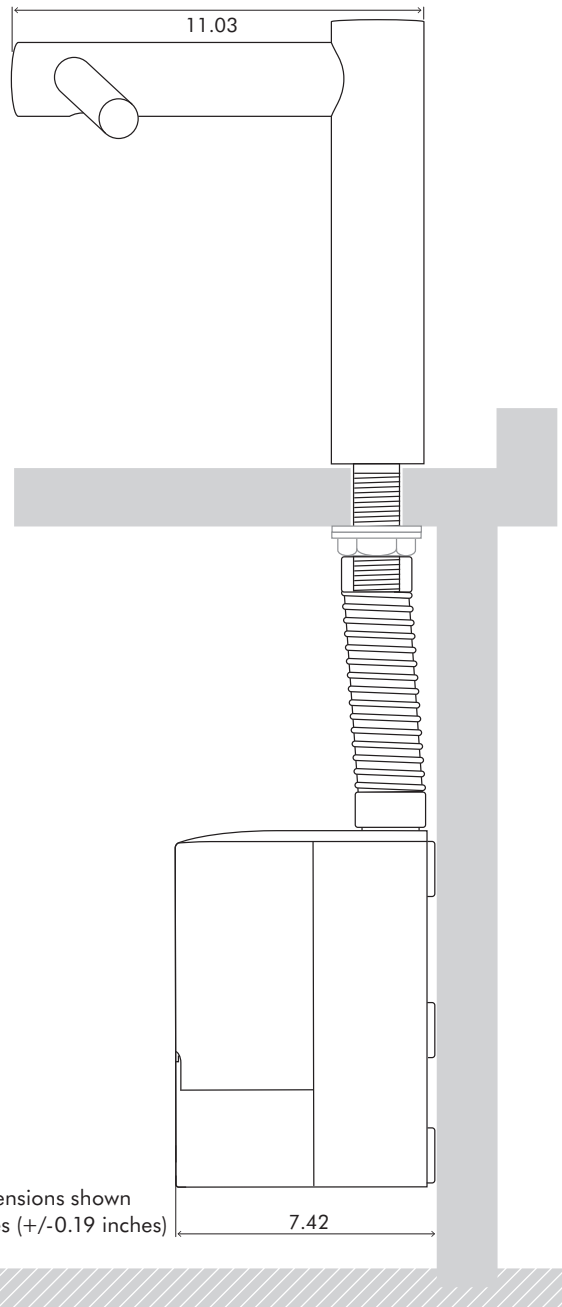


AB 09 AB 10 AB 11

FRONT ELEVATION

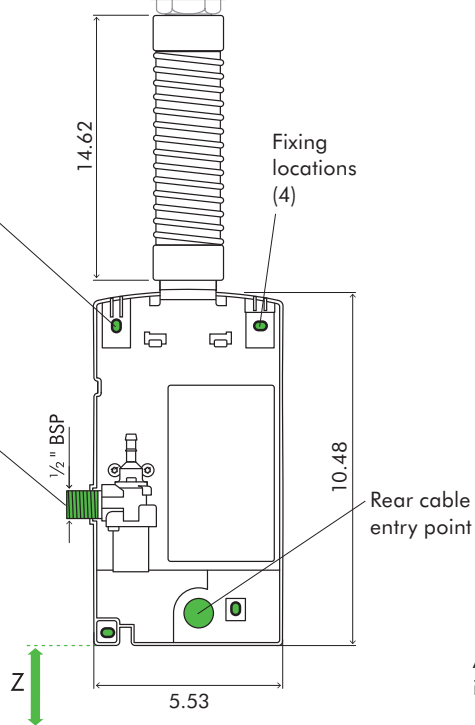


SIDE ELEVATION



Fixing locations (4)

Water entry point



All dimensions shown in inches (+/-0.19 inches)

FLOOR

### Tap dimensions

AB10 Height 12.12" Width 11.42" Depth 11.04

### Motor bucket dimensions

AB10 Height 10.42" Width 5.53" Depth 7.42"

### Minimum clearance

Z 3.94" clearance from floor.

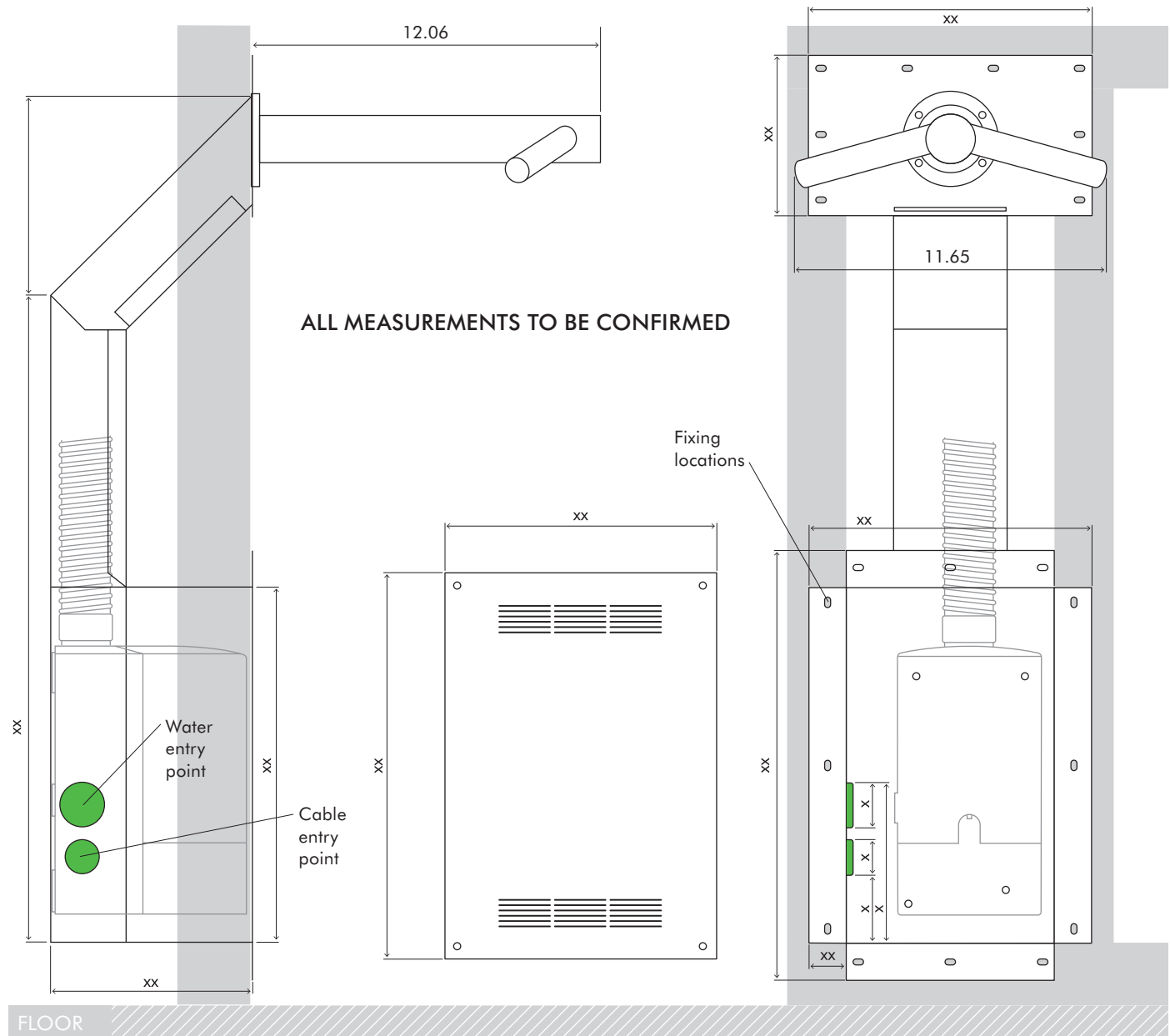
# dyson airblade tap

## TECHNICAL SPECIFICATION

AB AB AB  
09 10 11



### FRONT ELEVATION



#### Tap dimensions

AB11 Length 12" Width 11.42"

#### Motor bucket dimensions

AB11 Height 10.47" Width 5.53" Depth 7.42"

For further information, please contact Dyson.  
888-DYSON-AB • [www.dyson.com/handdryers](http://www.dyson.com/handdryers)