

**Security towel hook strip:**

**Model SA33 – Front Mounted**

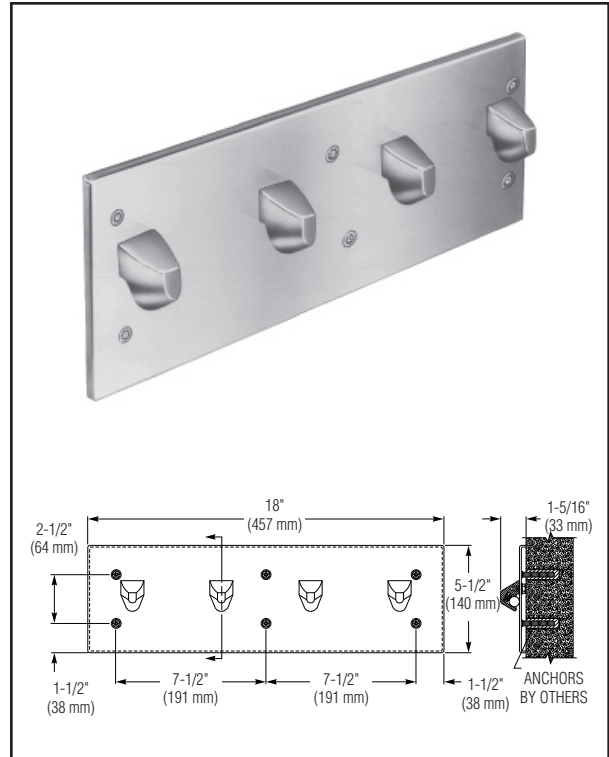
**Product Materials**

**BACKPLATE:** 14 gauge stainless steel with exposed surfaces in architectural satin finish. All seams are welded and ground smooth.

**SAFETY HOOK:** bright, chrome plated brass housing with stainless steel ball and spring. Friction mechanism allows holder to clasp towels, clothing, etc., but releases when excessive force is applied.

**Installation**

Verify all rough-in dimensions prior to installation. Unit supplied with ¼" - 20 x 1½" T27 torx head machine screws for installation to wall anchors (not included).



**Washroom Accessories  
Document No. 9240**

This information is subject to change without notice.  
Always consult local and national codes for proper installation guidelines. Conformity and compliance to local and national codes is the responsibility of the installer.

8-11-2011

© 2011 Bradley Corporation  
P.O. Box 309, Menomonee Falls, WI 53052-0309  
Phone: 800.BRADLEY (800.272.3539) Fax: 262.253.4161  
bradleycorp.com