



# MG-EXT Terreon® Express® Extension – MG-Series

- Compatible with Express Lavatory Systems — MG-Series
- Multiple Lengths and Configurations
- Constructed of Vandal-Resistant Terreon® or Terreon®RE Solid Surface Material
- Available in a variety of colors

## Specifications

Terreon and TerreonRE Express Extensions are custom manufactured to various lengths between 10" and 76" to accommodate most applications. Extensions are available in all Terreon and TerreonRE colors and come equipped with four end brackets (140-787) and up to three Angle Mounting Brackets (140-814) depending on length. Install this Express Extension between MG-Series Express Lavatories, and/or at the end of an alcove. Each extension provides a continuous design while adding counter space for personal items.

## Construction

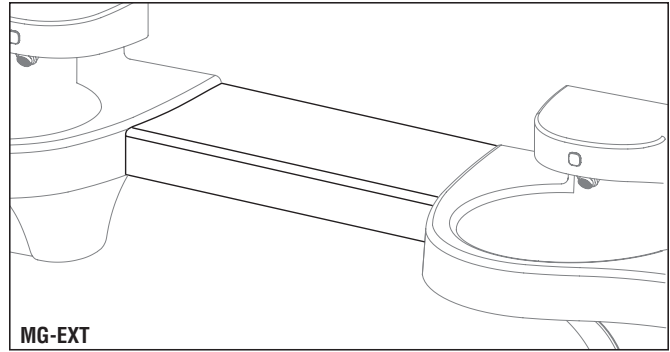
Constructed of Terreon, a densified solid surface material composed of polyester resin, or TerreonRE, a densified solid surface material composed of a bio-based resin and preconsumer recycled granules. Terreon and TerreonRE are resistant to chemicals, stains, burns and impact. Surface damage can be easily repaired with everyday cleansers or fine grit abrasives. Terreon and TerreonRE are certified by NAHB to meet ANSI Z124.3, Z124.6 and ANSI/ICPA SS-1-2001. Terreon and TerreonRE are GREENGUARD® certified as low-emitting materials.

The MG-EXT is designed for mounting between two MG-Series Express Lavatories or between an MG-Series Express Lavatory and an alcove wall.

## Code Compliance and Certifications

### ANSI Standards

Terreon and TerreonRE are NAHB certified to meet ANSI Z124.3, Z124.6 and ANSI/ICPA SS-1-2001.



## Standard Selections

All Terreon and TerreonRE Express Extensions are non-cancelable and non-returnable because they are made to specification for each order.

### Quantity of Angle Mounting Brackets

Length	Qty (P/N) 140-814	Length	Qty (P/N) 140-814
<input type="checkbox"/> 10" – 22"	0	<input type="checkbox"/> 41" – 58"	2
<input type="checkbox"/> 23" – 40"	1	<input type="checkbox"/> 59" – 76"	3

### Color of Terreon Extension (select one)

#### Standard Colors

<input type="checkbox"/> ALP-WHT	Alpine White	<input type="checkbox"/> LONDON	London Gray
<input type="checkbox"/> AVALANCHE*	Avalanche	<input type="checkbox"/> MOONSTONE*	Moonstone
<input type="checkbox"/> BONE	Mesa Bone	<input type="checkbox"/> O-TAUPE	Organic Taupe
<input type="checkbox"/> CHAR	Charcoal Gray	<input type="checkbox"/> PEBBLE	Pebble Beach
<input type="checkbox"/> COBBLE	Cobblestone	<input type="checkbox"/> PEP-WHT	Peppered White
<input type="checkbox"/> DRIFT*	Driftwood	<input type="checkbox"/> POLAR*	Polar Ice
<input type="checkbox"/> DS-WHT	Designer White	<input type="checkbox"/> SAND	Sandtrap
<input type="checkbox"/> DUNE*	Sand Dune	<input type="checkbox"/> S-CREEK	Stone Creek
<input type="checkbox"/> E-GRAY	Empire Gray	<input type="checkbox"/> S-MIST	Silver Mist
<input type="checkbox"/> GLACIER	Glacier	<input type="checkbox"/> WHT-SAND	White Sand
<input type="checkbox"/> GRAPH	Graphite		
<input type="checkbox"/> LANNON	Lannonstone		

#### Designer Colors (available at an additional charge)

<input type="checkbox"/> ARC-CHIP	Arctic Chip	<input type="checkbox"/> COFFEE	Coffee Bean
<input type="checkbox"/> RIVER	Riverstone		

#### TerreonRE Colors (available at an additional charge)

<input type="checkbox"/> BIRCH-BARK	Birch Bark	<input type="checkbox"/> MOONDUST	Moon dust
<input type="checkbox"/> DUSK	Dusk	<input type="checkbox"/> OAT	Oat

### Express Extension Length

Specify dimension from 10" to 76" (to the nearest 1/4").

Length: \_\_\_\_\_

### Mounting Location

<input type="checkbox"/> BTWN	Extension mounted between two units
<input type="checkbox"/> AL	Extension mounted left side of alcove
<input type="checkbox"/> AR	Extension mounted right side of alcove

## Optional Selections

<input type="checkbox"/> LSA	Left Side Apron	<input type="checkbox"/> RSA	Right Side Apron
------------------------------	-----------------	------------------------------	------------------

\* This color contains large, randomly distributed chips.

Verify all rough-in dimensions prior to installation.

Consult local and national codes. Conformity and compliance to local and national codes is the responsibility of the installer.

Page 1 of 2

2/9/2015

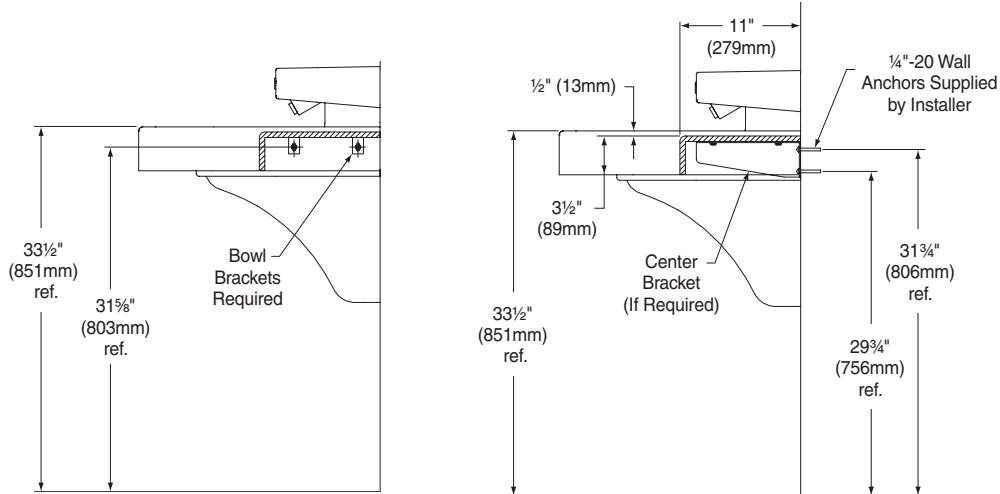
This information is subject to change without notice.

Bradley\_Sink\_Express\_MG-EXT

© 2015 Bradley  
P.O. Box 309, Menomonee Falls, WI 53052-0309  
800 BRADLEY (800 272 3539) +1 262 251 6000  
bradleycorp.com



# MG-EXT Terreon® Express® Extension – MG-Series



### Quantity of Angle Mounting Brackets

Length	Quantity (P/N 140-814)
<input type="checkbox"/> 10 – 22"	0
<input type="checkbox"/> 23 – 40"	1
<input type="checkbox"/> 41 – 58"	2
<input type="checkbox"/> 59 – 76"	3



*Top surface of Express Extension will be 1/2" lower than rim height of Express Lavatory System.  
All hardware for wall mounting (including 1/4" wall anchors) is supplied by the installer.*

Verify all rough-in dimensions prior to installation.

Consult local and national codes. Conformity and compliance to local and national codes is the responsibility of the installer.

Page 2 of 2 2/9/2015

This information is subject to change without notice.

Bradley\_Sink\_Express\_MG-EXT

© 2015 Bradley  
P.O. Box 309, Menomonee Falls, WI 53052-0309  
800 BRADLEY (800 272 3539) +1 262 251 6000  
bradleycorp.com