



# LVLVD1 Verge® Wash Basin – LVL-Series

- Sleek, rimless design minimizes standing water
- Faucet pad allows space for user's personal items
- Single piece molded design eliminates caulk lines and seams
- Strainer design accommodates standard 4" plunger
- Unique overflow cover allows access for overflow cleaning

## Specifications

Accommodates one user. The unit handles washroom traffic quickly and economically, while providing the user with personal space.

## Construction

### Basin

Evero® Geo Series is a natural quartz surface made from a blend of bio-based resin, natural quartz, granite and other exotic minerals. It is made of 25% recycled content.

Evero Pearl Series is a natural quartz surface made with bio-based resin, sea shells, recycled glass and natural quartz. It is made of 70% recycled content.

- Variations in the natural stone color, pattern, size, shape and shade are inherent. Due to these unique characteristics, please expect subtle shade variations when units are installed adjacent to each other.

### Access Panel

Minimalistic panel is composed of decorative 300 series stainless steel. Water supplies, valves, waste assembly and other optional items are concealed within the panel/frame.

### Support Frame

Basin assembly and access panel are secured to a heavy gauge stainless steel support frame mounted to wall.

### Faucet Options

Choose from 0.35 GPM CAP-DCA, IR-DCD or IR-DCG, which have been tested for fit and performance. For more information on these standard faucet and plug-in transformer options, please enter the model number in the search box at bradleycorp.com. 4" centerset and centershank faucet drillings are available for faucets by others. To maximize handwashing space and minimize splashing, faucets by others require length from faucet base centerline to aerator centerline to be 4" to 5.5" and height from faucet base bottom to aerator bottom to be 3" to 6". Spray pattern aerators require a 0.38 GPM flow or less. 0.5 GPM aerators can be laminar or aerated flow.

## Code Compliance and Certifications

### Enhanced Reach Compliant

Per 2009 International Building Code (IBC) under 1109.2.3, if there are 6 or more lavatories, at least one lavatory shall meet the 11" maximum reach depth per ICC A117.1 606.5. The L-Series is compliant when used with CAP-DCA, IR-DCD or IR-DCG faucets and 6315 soap. Faucets and soap require a 4" minimum length from faucet base centerline to aerator centerline for compliance.

### ANSI Standards

Evero Natural Quartz Surface is Home Innovation Lab Certified to meet the requirements of CSA B45.5/IAPMO Z124.

### cUPC Approval

Verge Wash Basin is Uniform Plumbing Code (UPC), International Plumbing Code (IPC) and National Plumbing Code of Canada (NPC) approved through the International Association of Plumbing and Mechanical Officials (IAPMO). Manufactured in compliance with IGC 156, CSA B45 Series (R08) & ASME A112.18.1/CSA B125.1.

- This plumbing fixture is designed for hand washing only. It is not intended to dispense water for human consumption through drinking or for preparation of food or beverages.



## Models (Must select one)

Model	Description
<input type="checkbox"/> LVLVD1	Verge Wash Basin – L-Series, One-Station

## Standard Selections (Must select one from each category)

### Faucet or Faucet Drilling (select one)

- IR-DCG Infrared Faucet Battery
  - IR-DCD Infrared Faucet Battery
  - CAP-DCA Capacitive Faucet Battery
  - 4" SET 4" Centerset Drilling (1-1/4" Drillings Only)
  - SHANK Centershank Drilling (1-1/4" Drillings Only)
- Additional faucet options available. Please see the faucet selections on www.bradleycorp.com

### Soap Dispenser (select one)

- 6324-68 32-oz. Plastic Globe, 4" Spout
- 6315-KT0000 Battery IR Metering Soap Dispenser Kit (with batteries and 1,000-shot soap)
- 6334 Lavatory-Mounted Soap Dispenser
- SDO 1-1/4" Soap Drilling Only
- NSD No Soap Dispenser

### Water Supply (select one)

- TMA Navigator® Thermostatic Mixing Assembly (Hot and Cold Supplies) w/Stops and Supply Hoses
- NONE No Valve Option Selected (includes stops and supply hoses)

### Color of Evero® Basin (select one)

#### Geo Series

- ANDORRA Andorra
- ANTARCTICA Antarctica
- BLACK-SEA Black Sea
- CABO Cabo
- DENALI Denali
- EVEREST Everest
- GLACIER Glacier Bay
- KALAHARI Kalahari
- MOJAVE Mojave
- MYKONOS Mykonos
- NASSAU Nassau
- PATAGONIA Patagonia
- SIERRA Sierra Madre
- TUSCANY Tuscany
- YUKON Yukon

#### Pearl Series (available at an additional charge) (Non-cancelable, non-returnable)

- AKOYA Akoya
- BLACK-MOON Black Moon

### Color of Access Panel (select one)

- STAIN Stainless Steel

### P-Trap:

- S-PLASTIC Single Plastic Polypropylene P-Trap
- S-CHROME Single Chrome-Plated P-Trap

## Optional Selections

- PT Plug-in adapter to convert from battery to AC power
- P19-231F AC Adapter - 6315 soap dispenser (must order as a separate line item)

For more information on Evero Natural Quartz Surface, faucets, valves, transformers, and the soap dispensers, please visit bradleycorp.com.

- Standard product selections contained within this document are third party **CERTIFIED** to NSF/ANSI 372 meeting the Lead-Free content requirement. Any product configured with custom options will be **COMPLIANT** with NSF/ANSI 372 meeting the Lead-Free content requirement.



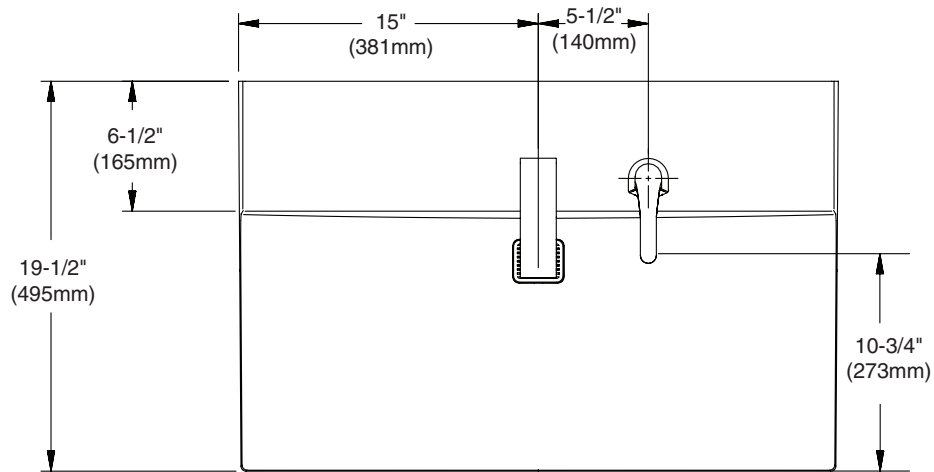
© 2017 Bradley  
P.O. Box 309, Menomonee Falls, WI 53052-0309  
800 BRADLEY (800 272 3539) +1 262 251 6000  
bradleycorp.com



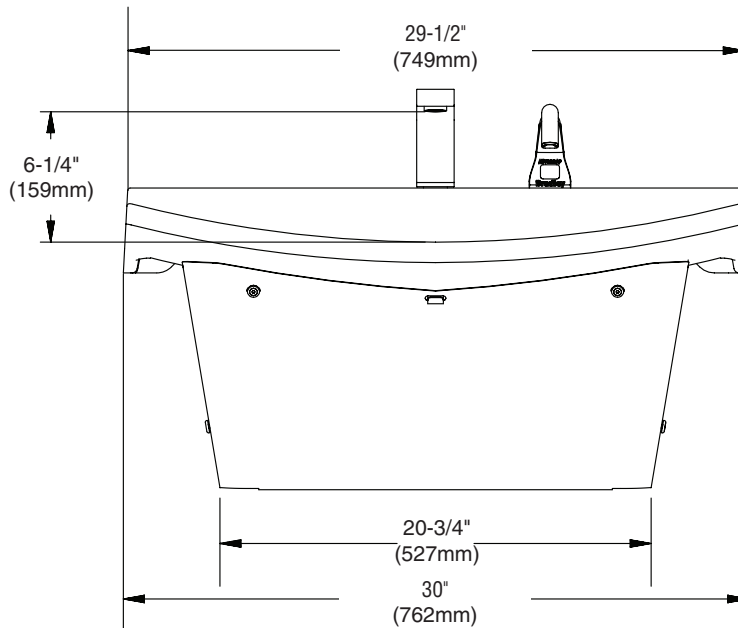
# LVL D1 Verge® Wash Basin – LVL-Series

Dimensions for LVL D1 Verge Wash Basin (Shown with CAP-DCA Faucet and 6315 Soap)

## Top View



## Front View

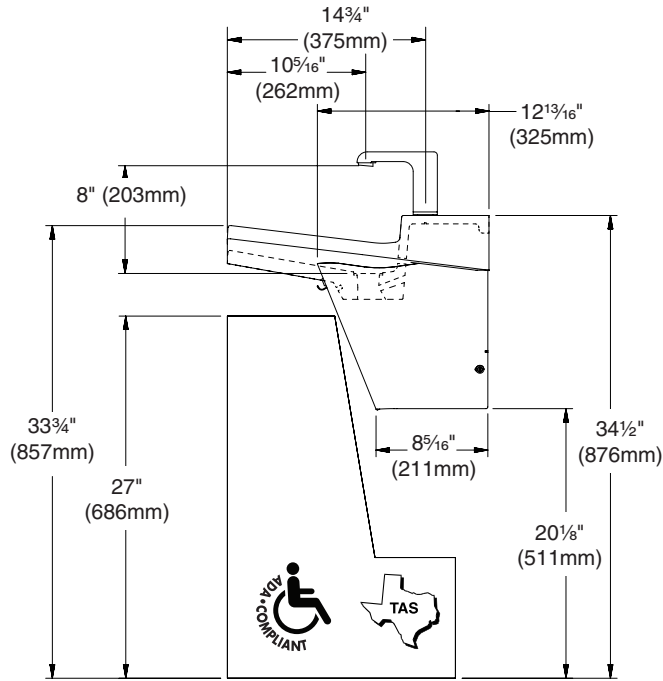




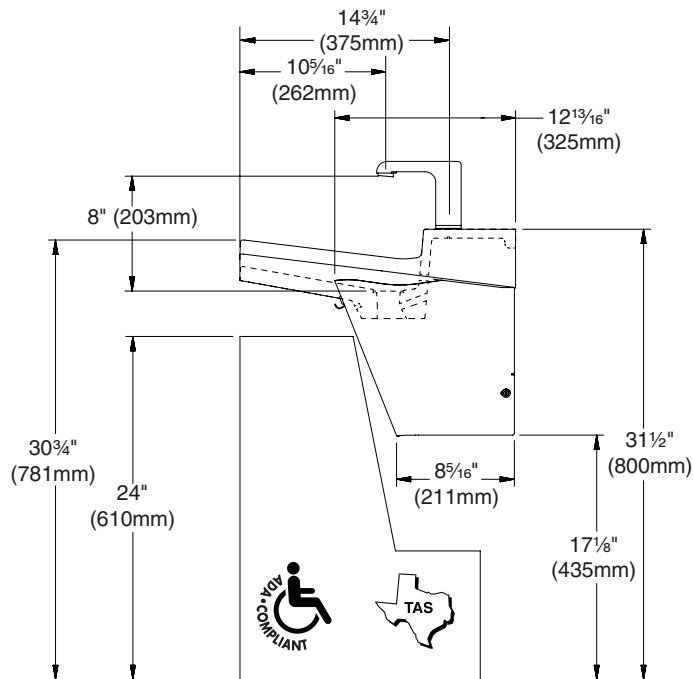
# LVLD1 Verge® Wash Basin – LVL-Series

## Dimensions for LVLD1 Verge Wash Basin

ADA Standard  
and TAS Height



Juvenile and TAS,  
Grades 6 thru 12



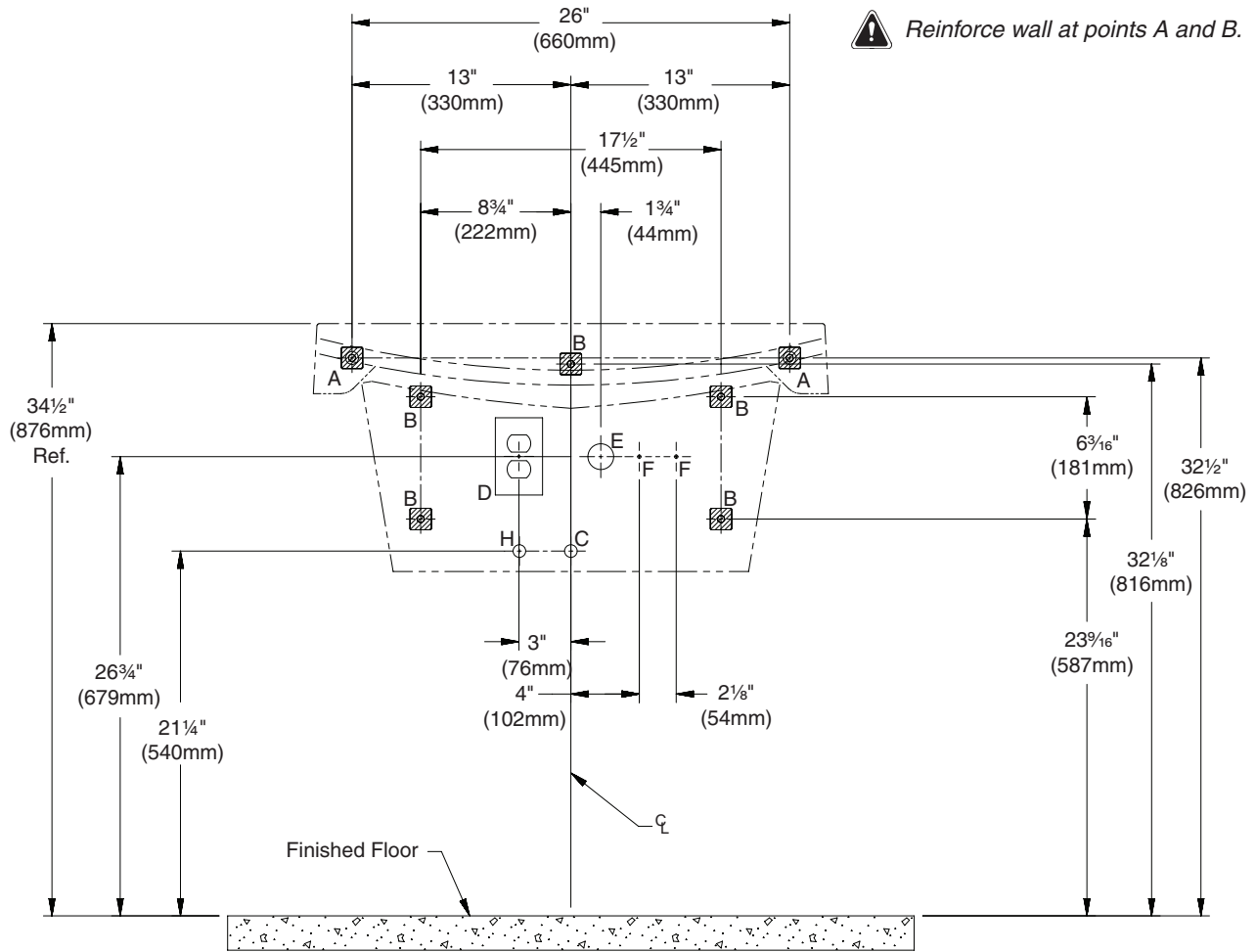


# LVLD1 Verge® Wash Basin – LVL-Series

## Rough-Ins for LVLD1 Verge Wash Basin

Standard rough-in shown.

Reinforce wall at points A and B.



CODE	DESCRIPTION	QTY.
A	3/8" Bowl Anchors with a Minimum Pull-Out Force of 1,000 lbs. (reinforce walls at anchor points)	2
B	3/8" Frame Anchors with a Minimum Pull-Out Force of 1,000 lbs. (reinforce walls at anchor points)	5
H, C	1/2" Hot/Cold Supplies, Stub-Out 2" From Wall	1
D	110v GFI Protected Electrical Outlet (AC version only)	1
E	1 1/2" NPT Drain, Stub-Out 2" from Wall	1
F	#10 Anchors for Valve Bracket Installation	2
RIM HEIGHT	VERTICAL HEIGHT ADJUSTMENTS FOR CODES A-E and H	FIXTURE STYLE
33 3/4"	None	Standard Height, ADA and TAS
30 3/4"	Subtract 3"	ADA Juvenile and TAS, Grades 6 thru 12