



CRS-2, CRS-3 Express® Crescent® Lavatory System – CRS-Series

- ADA and TAS Compliant (Optional Access Panel Required)
- Serves Two or Three Users at a Time with Same 48" Wide Bowl
- Sleek, Low-Profile Design, Only 38" High
- Constructed of Vandal-Resistant Terreon® Solid Surface Material
- Available in a variety of colors
- Battery or AC-Powered Infrared Control

Specifications

Size and Capacity

Accommodates up to two or three users at a time, using less water, energy and space than lavs equipped with conventional faucets. Each streamformer is equipped with a water conserving 0.5 GPM flow restrictor. Operating range is 20-80 PSI.

Construction

Integrated Bowl and Sprayhead

Constructed of Terreon, a densified solid surface material composed of polyester resin, or TerreonRE, a densified solid surface material composed of a bio-based resin and preconsumer recycled granules. Terreon and TerreonRE are resistant to chemicals, stains, burns and impact. Surface damage can be easily repaired with everyday cleansers or fine grit abrasives. Terreon and TerreonRE are certified by Home Innovation Lab to meet CSA B45.5/IAPMO Z124. Terreon and TerreonRE are GREENGUARD® certified as low-emitting materials.

Access Panel

Optional coal colored access panel is made from vacuum formed 0.187 gauge high impact polymer. Resistant to stains, burns and impact; and will not chip, peel or flake.

Vandal Resistance

Top cover, streamformers and infrared sensors are secured from inside the fixture. All valves, water supplies and waste connections can be concealed inside the optional access panel.

Code Compliance and Certifications

ANSI Standards

Terreon and TerreonRE are certified by Home Innovation Lab to meet CSA B45.5/IAPMO Z124.

cUPC Approval

Express Lavatory Systems are Uniform Plumbing Code (UPC), International Plumbing Code (IPC) and National Plumbing Code of Canada (NPC) approved through the International Association of Plumbing and Mechanical Officials (IAPMO). Manufactured in compliance with IGC 156, CSA B45 Series (R08) & ASME A112.18.1/CSA B125.1.



This plumbing fixture is designed for hand washing only. It is not Intended to dispense water for human consumption through drinking or for preparation of food or beverages.



Standard product selections contained within this document are third party **CERTIFIED** to NSF/ANSI 372 meeting the Lead-Free content requirement. Any product configured with custom options will be **COMPLIANT** with NSF/ANSI 372 meeting the Lead-Free content requirement.



ADA & TAS Compliant

The Crescent is designed to comply with all ADA and TAS guidelines on reaches, clearances and operation when mounted at recommended height dimensions (To be fully ADA-compliant, exposed piping must be covered. Optional Bradley access panel or pipe covering recommended). The low profile design of the Crescent allows up to 2" for the frame of an ADA-compliant mirror to be mounted above the fixture. Always check your local and state codes.

Standard Equipment

In addition to the Terreon® bowl and top access cover, the following valves and fittings are standard: stop valve; flexible stainless supply hose, drain spud and lock nut. Stops are ½" compression female.

Activation Types

Battery Infrared Sensor and Valve

Each battery-powered sensor uses a zone-focused infrared transmitting beam, creating a large detection area not exceeding the bowl perimeter. The sensor is not affected by varying skin tones or darkness. When hands enter the detection area, the sensor starts water flow by opening the valve electronically. When hands leave the detection area, the sensor stops the flow of water by closing the electronically activated solenoid valve. The 6-volt DC, electronically activated solenoid valve has few moving parts, providing reliable operation that is unaffected by most chemicals and minerals often present in municipal water supplies. Each station is powered by a single lithium battery. Battery type is Duracell® DL 223A 6-volt lithium or equivalent (batteries included) with a life expectancy of 4-5 years or approximately 200,000 cycles.

Adaptive Infrared

A 120VAC/12VDC plug-in adapter powers each sensor, which uses a conical shape transmitting beam having a detection area adapted to, but not exceeding, the bowl perimeter. The infrared sensor is not affected by varying color tones or darkness. The adaptive infrared sensor automatically adapts to the bowl within minutes after power is turned on.

Each of the streamformers is controlled by a separate slow-closing solenoid valve. Hands placed within the bowl are detected by an infrared sensor, which activates a flow of tempered water from one stream former. Shutoff is automatic after hands are removed from the detection area.

The 12V solenoid valve has few moving parts and is resistant to most chemicals, minerals and impurities in municipal water. The system is powered by a 120VAC/12VDC plug-in adapter. Location is per local electrical code.

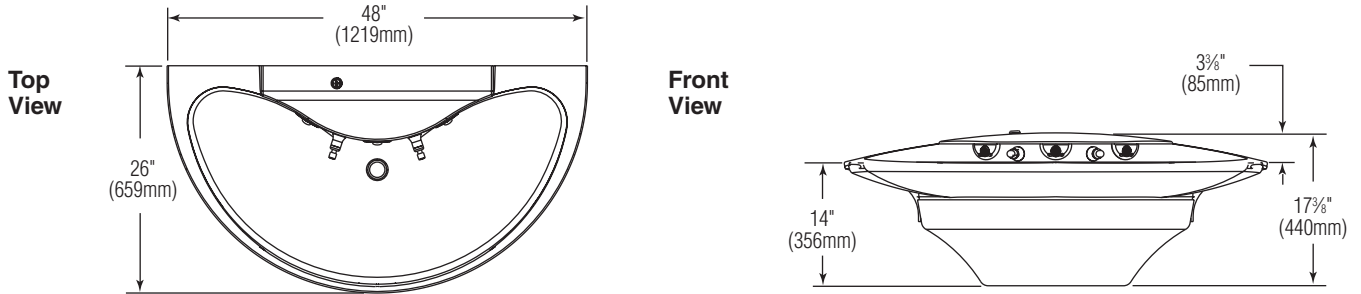
Verify all rough-in dimensions prior to installation.
Consult local and national codes. Conformity and compliance to local and national codes is the responsibility of the installer.



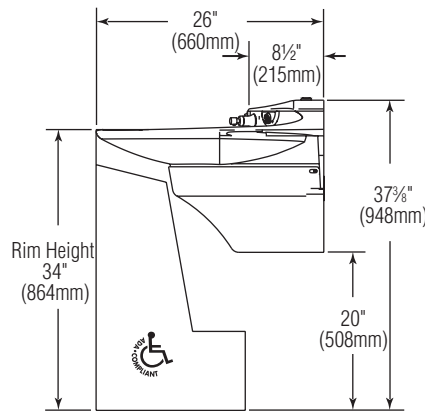


CRS-2, CRS-3 Express® Crescent® Lavatory System – CRS-Series

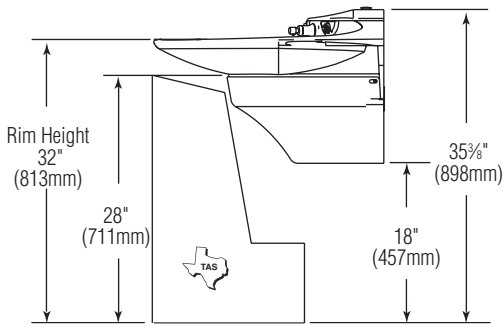
Dimensions



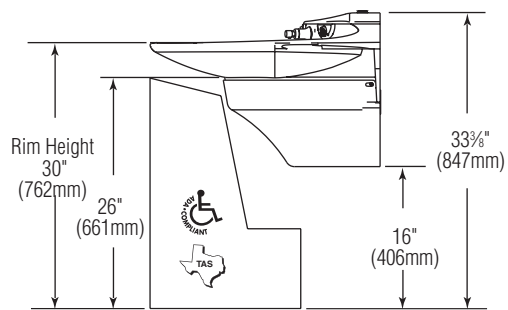
Side Views



Adult Height – (ADA and TAS Compliant)



TAS Age 11 through 14 or 15, Grade 6 through 8 or 9



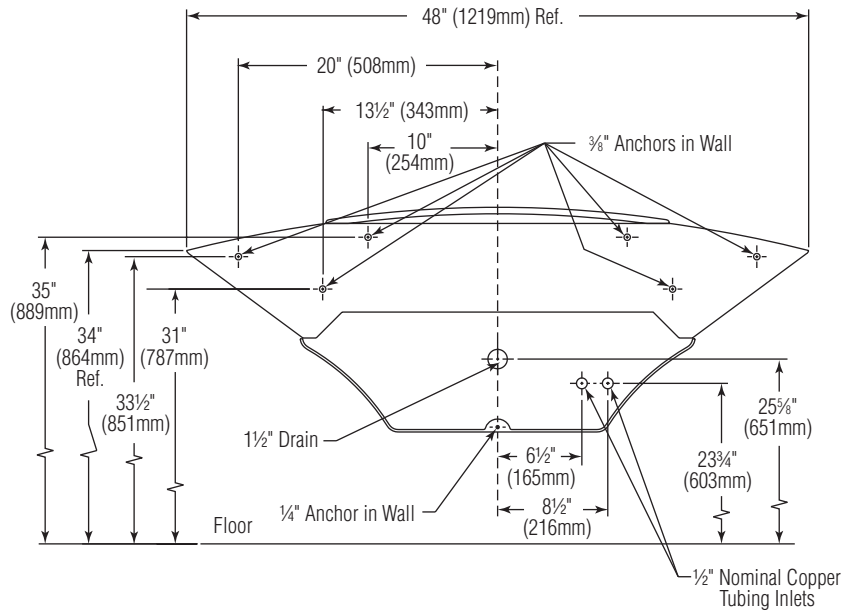
TAS Age 4 through 10 or 11, Grade K through 5 or 6 & Proposed ADA Juvenile Height

Verify all rough-in dimensions prior to installation.
 Consult local and national codes. Conformity and compliance to
 local and national codes is the responsibility of the installer.

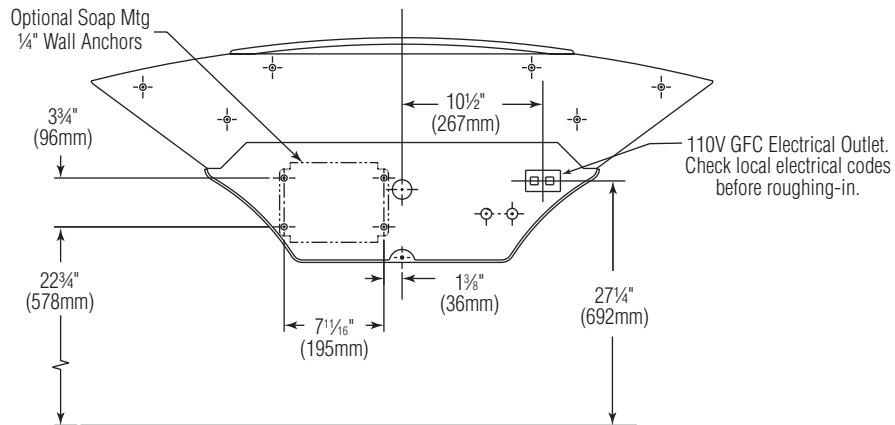


CRS-2, CRS-3 Express® Crescent® Lavatory System – CRS-Series

Rough-In View



Rough-In View Optional Equipment



Rim Height	Application	Adjustment
34"	Adult Height ADA, TAS Adult Height	None, as shown
*32"	TAS Ages 11 through 14 or 15, Grades 6 through 8 or 9	*Subtract 2"
*30"	TAS Ages 4 through 10 or 11, Grades K through 5 or 6 and Proposed Juvenile Height ADA	*Subtract 4"
*24"	Preschool (required by some local codes)	*Subtract 10"

* Adjustments to vertical dimensions for various rim heights.

Verify all rough-in dimensions prior to installation.
Consult local and national codes. Conformity and compliance to local and national codes is the responsibility of the installer.



CRS-2, CRS-3 Express® Crescent® Lavatory System – CRS-Series

Models (Must select one)

Model	Size	Description
<input type="checkbox"/> CRS-2	48"	Express Crescent Lavatory System Two-Station
<input type="checkbox"/> CRS-3	48"	Express Crescent Lavatory System Three-Station

Standard Selections (Must select one from each category)

Activation Type (select one)

- BIR3 Battery Infrared
 IRP Adaptive Infrared

Soap Dispenser Type (select one)

- LSD-2 One Integral Liquid Soap Dispenser (CRS-2)
 LSD-3 Two Integral Liquid Soap Dispensers (CRS-3)
 NSD No Soap Dispenser

Water Supply Type (select one)

- TL Single Tempered Line
 TMA Navigator® Thermostatic Mixing Assembly (Hot and Cold Supplies)

Color of Terreon® Bowl (select one)

Standard Colors

- | | |
|---|---|
| <input type="checkbox"/> CHAR Charcoal Gray | <input type="checkbox"/> O-TAUPE Organic Taupe |
| <input type="checkbox"/> COBBLE Cobblestone | <input type="checkbox"/> PEBBLE Pebble Beach |
| <input type="checkbox"/> DRIFT Driftwood† | <input type="checkbox"/> PEP-WHT Peppered White |
| <input type="checkbox"/> DUNE Sand Dune† | <input type="checkbox"/> SAND Sandtrap |
| <input type="checkbox"/> E-GRAY Empire Gray | <input type="checkbox"/> S-CREEK Stone Creek |
| <input type="checkbox"/> GRAPH Graphite | <input type="checkbox"/> S-MIST Silver Mist |
| <input type="checkbox"/> LANNON Lannonstone | <input type="checkbox"/> WHT-SAND White Sand |
| <input type="checkbox"/> LONDON London Gray | |
| <input type="checkbox"/> MOONSTONE Moonstone† | |

Designer Colors* (available at an additional charge)

- ARC-CHIP Arctic Chip COFFEE Coffee Bean
 RIVER Riverstone

TerreonRE Colors* (available at an additional charge)

- BIRCH-BARK Birch Bark MOONDUST Moon Dust
 DUSK Dusk OAT Oat

Optional Selections

Access Panel Type:

- COAL Coal NONE No Panel

* Non-cancelable, non-returnable

† This color contains large, randomly distributed chips.

Protected by U.S. patent: D433109

Verify all rough-in dimensions prior to installation.
Consult local and national codes. Conformity and compliance to local and national codes is the responsibility of the installer.

Page 4 of 4 2/2/2017

This information is subject to change without notice.

Bradley_Sink_Express_CRS-2_3

© 2017 Bradley
P.O. Box 309, Menomonee Falls, WI 53052-0309
800 BRADLEY (800 272 3539) +1 262 251 6000
bradleycorp.com