

- Model 661 – One Soap Valve
- Model 662 – Two Soap Valves

- Shelf-Type Dispenser
- Surface-Mounted
- ADA Compliant

### Product Materials

**HINGED SHELF:** 20 gauge stainless steel with exposed surfaces in architectural satin finish.

**RESERVOIR:** 20 gauge stainless steel with exposed surfaces in architectural satin finish. Welded seams.

**SOAP VALVE:** chrome-plated brass housing with ABS plastic mechanism. Requires less than 5 lbs. of force to dispense soap.

### Capacity

80 oz. liquid soap.

### Operation

Pump-type valve draws liquid soap from bottom of reservoir. Dispenses measured amount of soap with each stroke. Sight gauge indicates refill time. Hinged shelf secured by concealed friction latch and 2 locking bars. Requires less than 5 lbs. of force to dispense soap.

- Bradley liquid soap valves operate best with any vegetable oil or coconut oil hand soap having a 10–15% soap concentration.

### Installation

Verify all rough-in dimensions prior to installation. Secure dispenser with mounting screws (included). If mounted under a horizontal projection, allow 5" clearance for filling.

### Guide Specification

Shelf-type soap dispenser shall be fabricated of 20 gauge stainless steel. Soap valve has chrome-plated brass housing with ABS plastic mechanism. Concealed friction latch for cover. Requires less than 5 lbs. of force to dispense soap. Capacity: 80 oz. liquid soap.

**Overall dimensions: 17-1/2"W x 3-1/4"H x 5-1/4"D.**

### ADA Compliant

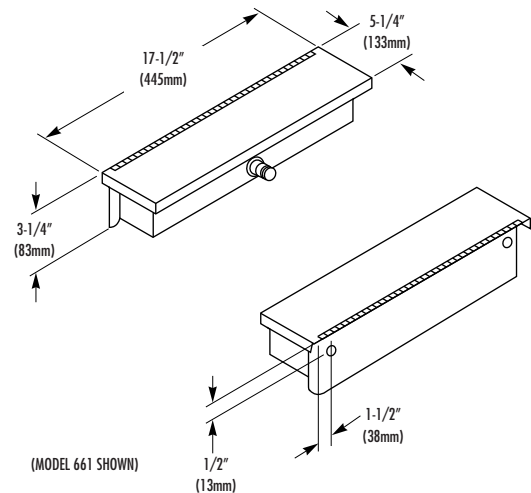
- Consult local and national accessibility codes for proper installation guidelines.
- Conformity and compliance to local and national codes is the responsibility of the installer.



MODEL 661



MODEL 662



Washroom Accessories  
Document No. 8715