

- Model 270 — Recessed**  
(recesses 5-1/2"; projects 3/4")
- Model 270-10 — Semi-Recessed**  
(recesses 3-1/2"; projects 2-3/4")
- Model 270-11 — Surface-Mounted**  
(projects 6-1/4")
- Contemporary Series — Satin Finish
- C-Fold/Multi-Fold/Single-Fold Towels

**Product Materials**

**CABINET:** 22 gauge stainless steel with exposed surfaces in architectural satin finish. Welded construction with seamless corners and burr-free edges.

**DOOR:** 18 gauge stainless steel. Warp resistant, with full length piano hinge and (2) tumbler locks keyed like other Bradley units.

**TOWEL DISPENSER:** 22 gauge stainless steel. Rolled edge on dispenser opening.

**HAND DRYER:** sensor activation. Universal voltage. European Export available.

- To comply with EU standards, purchase model with option -49 (required for CE certification only).

**WASTE CONTAINER LINER:** natural color linear low density polyethylene — Part #M44-081.

**Capacity**

Towel Dispenser — 710 single-fold, 500 multi-fold or 370 C-fold paper towels.  
Waste Container — 4.37 gal. (16.5 L)

**Operation**

Towel dispenser holds single-fold, multi-fold or C-fold towels without use of special adapter. Receptacle removable for easy servicing by unlocking door.

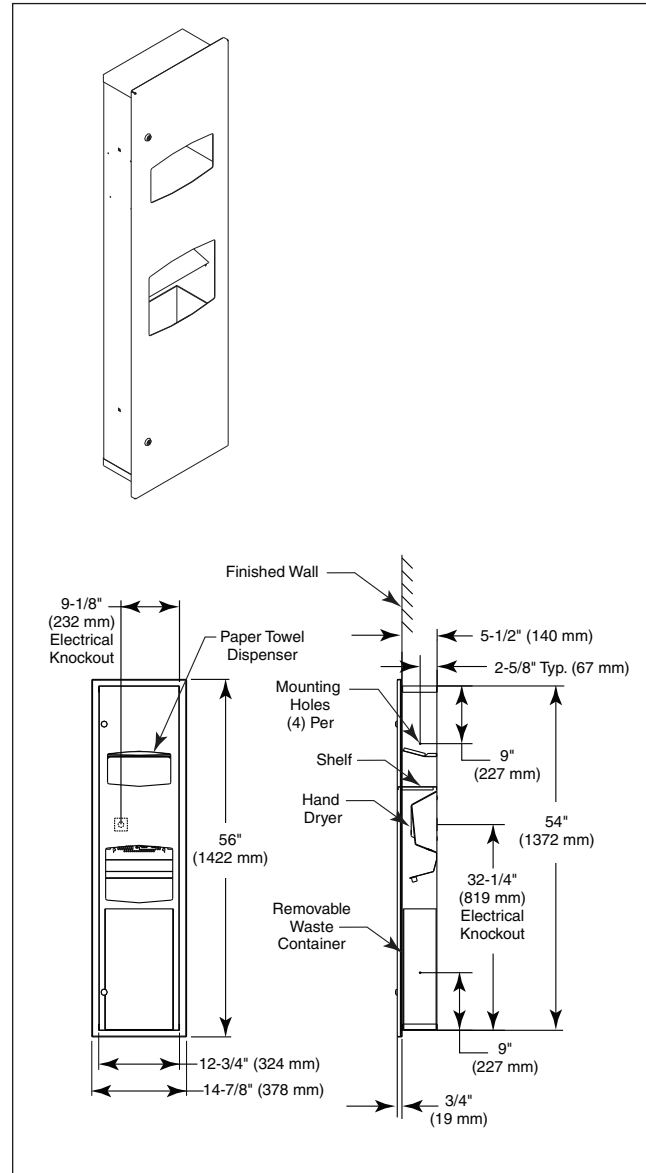
**Installation**

Verify all rough-in dimensions prior to installation. Recessed unit requires rough wall opening 13"W x 54-1/4"H x 5-1/2"D. Secure to framing with mounting screws (included) at holes provided. Shim at screw points as required. Surface-mounted units need to have holes drilled by installer. Mounting screws are included. Please refer to the installation instructions with the hand dryer for directions.

**Guide Specification**

Recessed combination towel dispenser, hand dryer, and waste receptacle shall be fabricated of 18 gauge stainless steel with exposed surfaces in satin finish. Warp-free door equipped with piano hinge and secured by (2) tumbler locks. Towel dispenser capacity — 710 single-fold, 500 multi-fold, or 370 C-fold towels. 4.37 gal. linear low density polyethylene waste receptacle included.

**Overall dimensions:** 14-7/8"W x 56"H x 6-1/4"D.



**Optional Features**

Feature	Suffix
<input type="checkbox"/> For Export (CE Certified)	-49

**Washroom Accessories**  
Document No. 8137

This information is subject to change without notice.

Always consult local and national codes for proper installation guidelines. Conformity and compliance to local and national codes is the responsibility of the installer.

4-1-2010

© 2010 Bradley Corporation  
P.O. Box 309, Menomonee Falls, WI 53052-0309  
Phone: 800.BRADLEY (800.272.3539) Fax: 262.253.4161  
bradleycorp.com