

- Model 2277 — Recessed **Bradex**<sup>®</sup>
- Model 2277-10 — Semi-Recessed (recesses 3½"; projects 7")
- Model 2277-11 — Surface-Mounted (projects 10½")
- Contemporary Series — Satin Finish

### Product Materials

**CABINET:** 22 gauge stainless steel with exposed surfaces in architectural satin finish. Welded construction with seamless corners and burr-free edges.

**DOOR:** 18 gauge stainless steel. ½" return for maximum rigidity. Concealed full length stainless steel piano hinge and 2 tumbler locks keyed like other Bradley units.

**TOWEL DISPENSER:** furnished (manufactured by others). Rolled edge on dispenser opening.

**WASTE RECEPTACLE INSERT:** leakproof molded plastic.

### Capacity

Towel Dispenser — one standard core 8" or 9"W x 800'L roll paper towel  
 Waste Receptacle Insert — 10.5 gal. (1.4 cu. ft.)

### Operation

Towel dispenser delivers preset length of towel (2½", 4" or 5" per stroke). Waste receptacle insert removable by unlocking cabinet door. Operates with less than 5 lbs. of force.

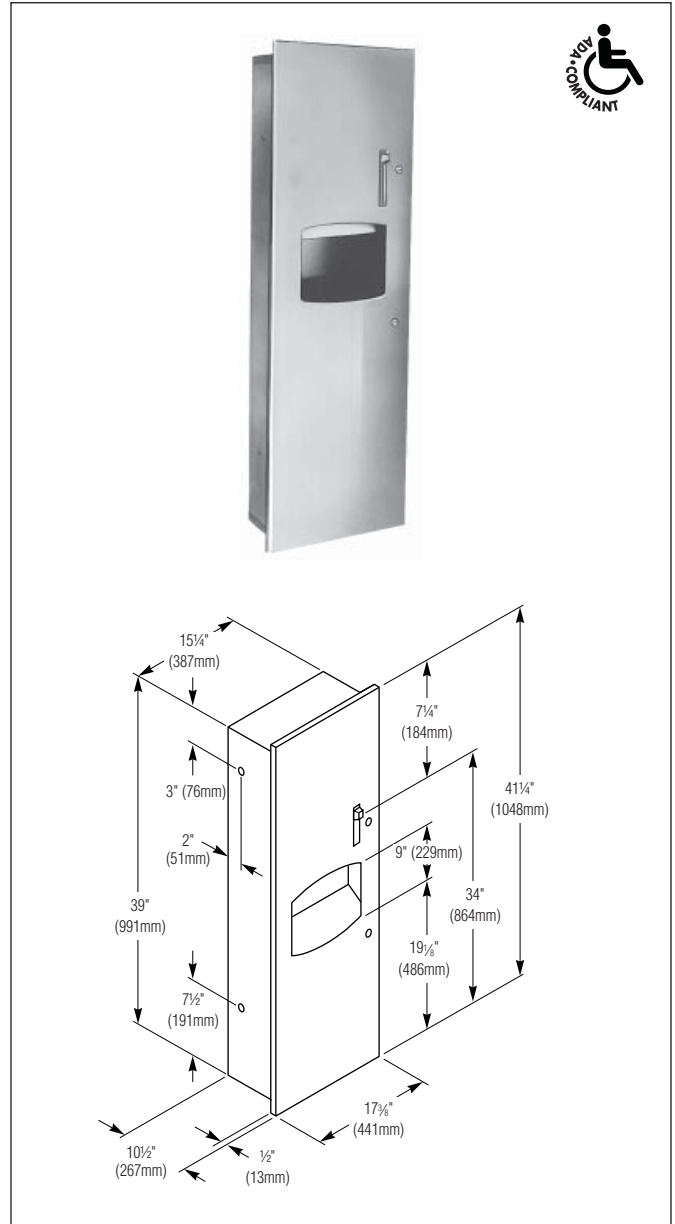
### Installation

Verify all rough-in dimensions prior to installation. Recessed unit requires rough wall opening 15¾"W x 39½"H x 10¼"D (Semi-recessed unit only 3½" deep). Secure to framing with mounting screws (included) at holes provided. Shim at screw points as required.

### Guide Specification

Recessed combination towel dispenser and waste receptacle shall be fabricated of heavy gauge stainless steel with exposed surfaces in satin finish. Cabinet door of 18 gauge stainless steel with full length concealed piano hinge and secured by 2 tumbler locks. Towel dispenser shall be activated with less than 5 lbs. of force and have the capacity to hold one standard core 8" or 9"W x 800'L roll paper towel. Removable 10.5 gal. leakproof molded plastic insert for waste receptacle.

**Overall dimensions: 17¾"W x 41¼"H x 10½"D.**



### ADA Compliant

- Consult local and national accessibility codes for proper installation guidelines.
- Conformity and compliance to local and national codes is the responsibility of the installer.

**Washroom Accessories  
 Document No. 8105**

Orders composed of products indicated as **Bradex**<sup>®</sup> will be available to ship in three days after receipt of order at the factory. There is no pricing penalty for this service from Bradley.

This information is subject to change without notice.

10-30-2009

© 2009 Bradley Corporation  
 P.O. Box 309, Menomonee Falls, WI 53052-0309  
 Phone: 800.BRADLEY (800.272.3539) Fax: 262.253.4161  
 bradleycorp.com