

- Model 2252 — Recessed
- Model 2252-10 — Semi-Recessed (recesses 3-1/2"; projects 4")
- Model 2252-11 — Surface-Mounted (projects 7-1/2")
- Standard Series — Satin Finish

Product Materials

CABINET: 22 gauge stainless steel with exposed surfaces in architectural satin finish. Welded construction with seamless corners and burr-free edges.

FLANGE: 22 gauge stainless steel with exposed surfaces in architectural satin finish. One piece seamless construction, 1" wide with 1/4" return.

DOORS: 18 gauge stainless steel. Warp resistant, with full length piano hinge and tumbler lock keyed like other Bradley units.

TOWEL DISPENSER: 22 gauge stainless steel. Rolled edge on dispenser opening.

WASTE RECEPTACLE INSERT: leakproof molded plastic.

Capacity

Towel Dispenser — 1000 single-fold, 700 multi-fold or 400 C-fold paper towels. Waste Receptacle Insert — 4.9 gal. (.65 cu. ft.)

Operation

Towel dispenser holds single-fold, multi-fold or C-fold towels without use of special adaptor. Waste receptacle insert removable by unlocking receptacle door.

Installation

Verify all rough-in dimensions prior to installation. Recessed unit requires rough wall opening 12-1/2"W x 54-5/8"H x 7-1/2"D (Semi-recessed unit only 3-1/2" deep). Secure to framing with mounting screws (included) at holes provided. Shim at screw points as required.

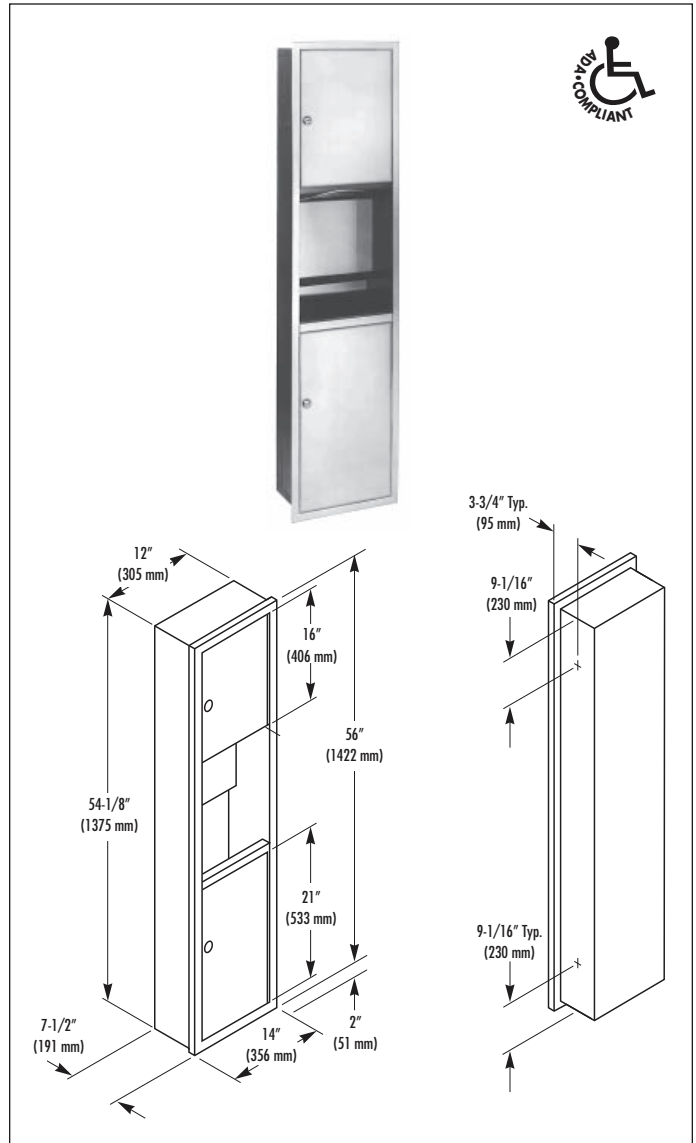
Guide Specification

Recessed combination towel dispenser and waste receptacle shall be fabricated of 22 gauge stainless steel with exposed surfaces in satin finish. Doors of nonflexing construction, equipped with heavy duty piano hinges and locks. Towel dispenser capacity 1000 single-fold, 700 multi-fold or 400 C-fold towels. Removable 4.9 gal. leakproof molded plastic insert for waste receptacle.

Overall dimensions: 14"W x 56"H x 7-1/2"D.

Optional Features

| Feature | Suffix |
|--|--------|
| <input type="checkbox"/> Self-closing push-flap door | -35 |



ADA Compliant

- Consult local and national accessibility codes for proper installation guidelines.
- Conformity and compliance to local and national codes is the responsibility of the installer.

Washroom Accessories
Document No. 8090