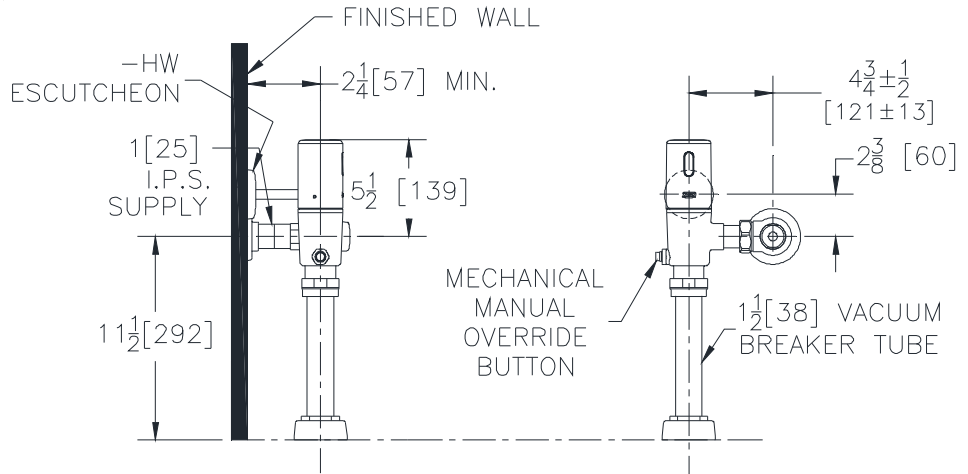




# ZTR6200EV-HW

Hardwired 1.28 GPF Sensor Operated Water Closet Flush Valve



## Suffix Options (Check/Specify Appropriate Options)

- YJ Split Ring Pipe Support
- YK Solid Ring Pipe Support
- YO Bumper on Angle Stop
- FM12 Floor Mount 12" Rough In
- \_\_\_\_\_ Other

## Accessories (Order separate as specified)

Compatible with -HW Version:

- P6900-ACA-BA** 7.6VDC Plug-In ACA Power Supply Powers up to 4 valves
- P6000-HW6** 7.6VDC Hardwired Power Converter Powers up to 8 valves

Others:

- P6800-PJB-4** Power Junction Box (4 outputs)
- P6800-PJB-8** Power Junction Box (8 outputs)
- P6800-EXT** 10' Extension Cable with Connectors

**NOTE: Performance guaranteed with Zurn EcoVantage® fixtures. Please consult Zurn Technical Services at 1-800-997-3876 to discuss the paired performance of this valve with other manufacturers fixtures.**

Architectural/Engineering Approval

The information contained in this document is subject to change without notice.

ZURN INDUSTRIES, LLC. ♦ COMMERCIAL BRASS OPERATION  
 5900 ELWIN BUCHANAN DRIVE ♦ SANFORD NC 27330  
 PHONE: 1-800-997-3876 ♦ FAX: 919-775-3541  
 WWW.ZURN.COM  
 IN CANADA: ZURN INDUSTRIES LIMITED  
 7900 GOREWAY DRIVE UNIT 10 ♦ BRAMPTON, ONTARIO L6T5W6  
 PHONE: 905-405-8272 FAX: 905-405-1292

## ENGINEERING SPECIFICATIONS

Exposed chrome plated flushometer valve with a polished robust metal cap exterior.

- Hardwired using 7.6VDC Power Supply
- Filtered Piston Kit
  - Chloramine resistant
- Proprietary DR resistant low lead brass alloy
- Actuator
  - Solenoid Activated
- Mechanical Manual Override Button
- Includes 10' power supply cable
- Control Stop
  - Internal siphon-guard protection
  - Vandal resistant stop cap
  - Sweat solder kit
  - Cast wall flange with set screw
- Vacuum Breaker
  - High back pressure
  - One piece hex coupling nut
- Internal seals
  - Chloramine resistant
- Adjustable tailpiece
- Spud coupling and flange for top spud connection



\* This product should be used with a WaterSense labeled counterpart with a compatible flush volume to ensure that the entire system meets the requirements for water efficiency and performance.