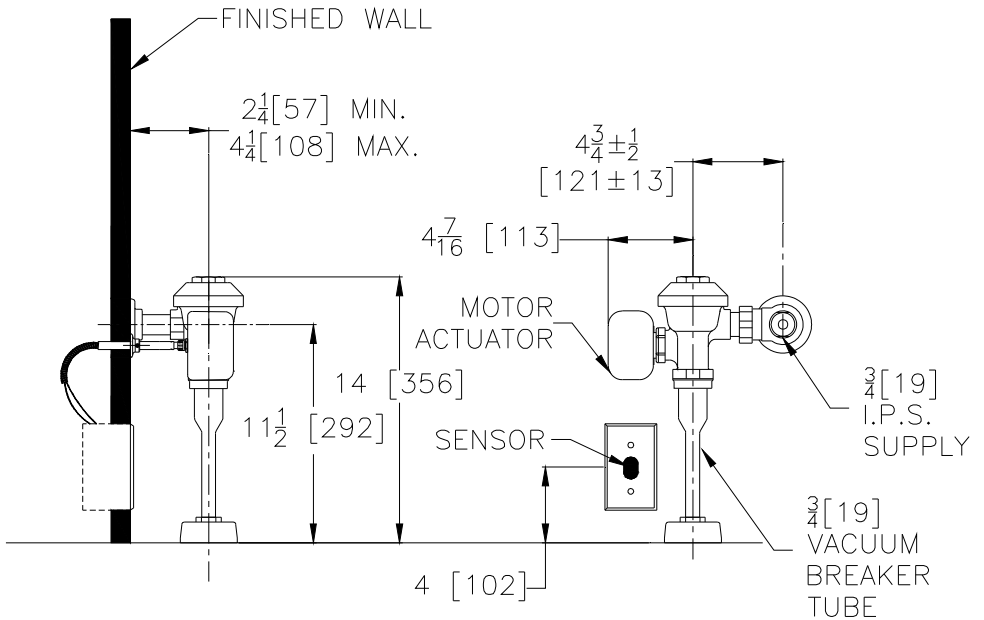


ZEMS6003

For 3/4" Urinals



Flow Options

- EWS 0.5 gpf High Efficiency Flush
- WS1 1.0 gpf Low Consumption Flush
- 1.5 gpf

Accessories

- VP Vandal Resistant Stop Screw
- YJ Split Ring Pipe Support
- YK Solid Ring Pipe Support
- _____ Other

Power Supply Choices (Sold Separately)

- HW6 Hardwired Power Converter (Up to 8 Valves)
- MJ Mini Junction Box
- PC6 6VDC Plug-in Power Converter (Up to 8 valves)

Architectural/Engineering Approval

The information contained in this document is subject to change without notice.
Please contact Zurn for most up to date information.

ZURN INDUSTRIES, LLC. ♦ COMMERCIAL BRASS OPERATION
5900 ELWIN BUCHANAN DRIVE ♦ SANFORD NC 27330
Phone: 1-800-997-3876 ♦ Fax: 919-775-3541
www.zurn.com
In Canada: ZURN INDUSTRIES LIMITED
3544 Nashua Drive ♦ Mississauga, Ontario L4V1L2
Phone: 905-405-8272 Fax: 905-405-1292

AquaSense® is a registered trademark of Zurn Industries, LLC.

ENGINEERING SPECIFICATIONS

Exposed, quiet diaphragm-type, chrome plated flushometer valve with a polished exterior.

- Diaphragm
 - Clog Resistant by-pass
 - Chloramine resistant
 - Dual seal
- Proprietary DR resistant low lead brass alloy
- Actuator
 - ZEMS 6 VDC Motorized Actuator
 - Automatic Sensor
- Control Stop
 - Internal siphon-guard protection
- Vacuum Breaker
 - High back pressure
 - One piece hex coupling nut
- Internal seals
 - Chloramine resistant
- Adjustable tailpiece
- Spud coupling and flange for top spud connection

ZEMS6003PL - Aquaflush Plus

- Also Includes
 - Sweat solder kit
 - Vandal resistant stop cap
 - Cast wall flange with set screw