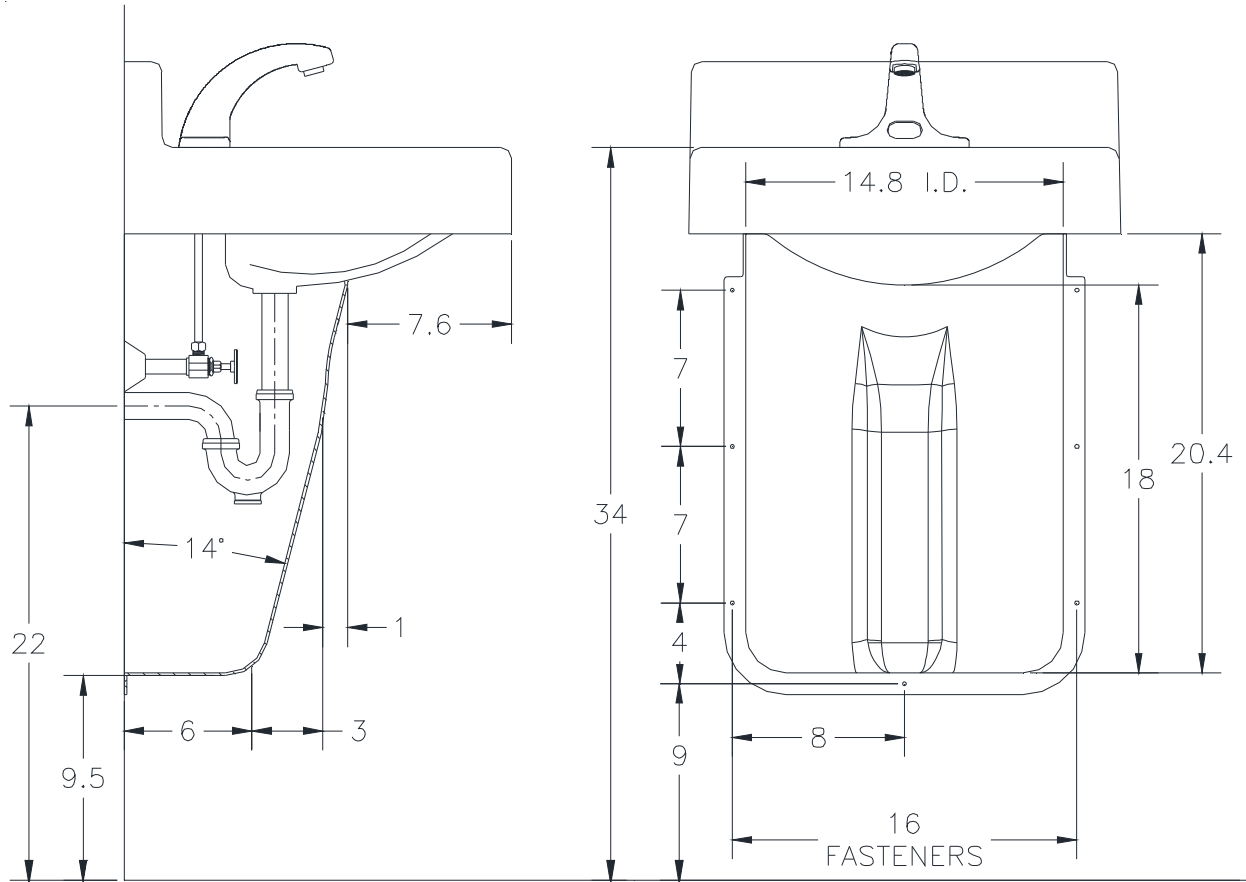


# Z6900-VG

## RIGID LAVATORY ENCLOSURE VANDAL GARD



**Engineering Specification:** Zurn Z6900-VG - Rigid plastic lavatory enclosure for 20"[508mm] X 18"[457mm] lavatory. Conceals all lavatory piping, electronic faucet connection mixing valves, trap primers and instantaneous hot water heaters.

**Mounting Hardware Assembly (G68021) Included:**

- #6x1" Oval Head Screws           7x
- 3/16" Dry Wall Anchors           7x
- Compass                            1x

**Architectural/Engineering Approval**

The information contained in this document is subject to change without notice. Please contact Zurn for most up to date information.

**ZURN INDUSTRIES, LLC. ♦ COMMERCIAL BRASS OPERATION ♦ 5900 ELWIN BUCHANAN DRIVE ♦ SANFORD NC 27330**

Phone: 1-800-997-3876 ♦ Fax: 919-775-3541 ♦ World Wide Web: [www.zurn.com](http://www.zurn.com)

In Canada: ZURN INDUSTRIES LIMITED ♦ 7900 Goreway Drive Unit 10 ♦ Brampton, Ontario L6T5W6 ♦ Phone: 905-405-8272 Fax: 905-405-1292