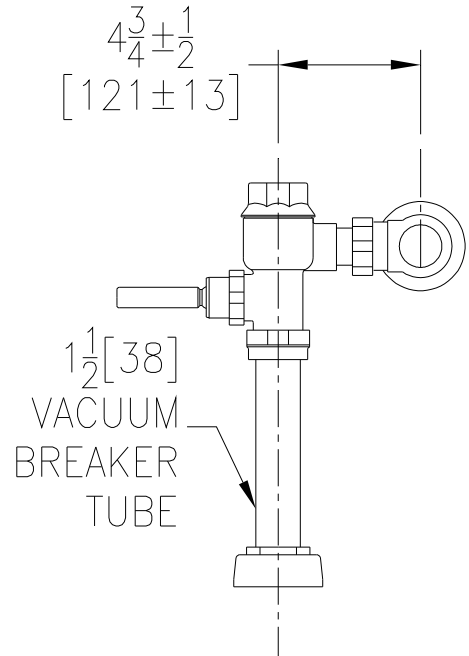
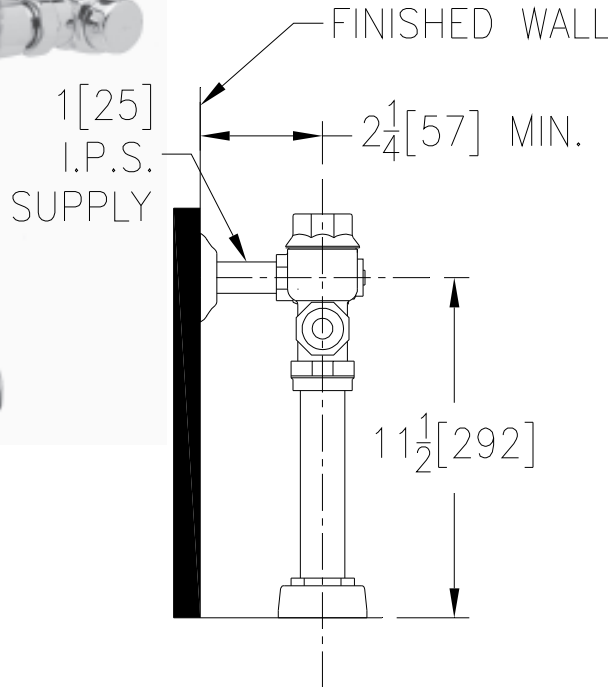




Metroflush®

TAG _____

Exposed Z6200-HET Model Metroflush® Piston Operated Flush Valve For Water 1.28 gpf Water Closets



Suffix Options (Check/Specify Appropriate Options)

- _____ -VC Vandal Resistant Stop Cap
- _____ -XYV Less Vacuum Breaker
- _____ -YJ Split Ring Pipe Support
- _____ -YK Solid Ring Pipe Support
- _____ -YL Solid Ring Pipe Support with Bumper
- _____ -YO Bumper On Angle Stop
- _____ Other

ENGINEERING SPECIFICATION: ZURN Z6200-HET

Metroflush® Piston Operated Exposed Closet Flush Valve for 1.28 gpf Water Closet- The Ecovantage® MetroFlush® is an exposed, quiet type, chrome plated flush-ometer valve with polished exterior. Complete with Zurn's 1.28 gpf MetroVantage®, chloramine resistant, piston with a clog resistant, filtered by-pass. The valve is ADA compliant with a non-hold open and no-leak handle feature, high back pressure vacuum breaker, one piece hex coupling nut, adjustable tailpiece, spud coupling and flange for top spud connection. Control stop has internal siphon-guard protection, sweat solder kit, and a cast wall flange with set screw. Internal seals are made of chloramine resistant materials.

This space is for Architectural/engineering Approval

The information contained in this document is subject to change without notice. Please contact Zurn for most up to date information.

ZURN INDUSTRIES, LLC. ♦ COMMERCIAL BRASS OPERATION ♦ 5900 ELWIN BUCHANAN DRIVE ♦ SANFORD NC 27330

Phone: 1-800-997-3876 ♦ Fax: 919-775-3541 ♦ World Wide Web: www.zurn.com

In Canada: ZURN INDUSTRIES LIMITED ♦ 3544 Nashua Drive ♦ Mississauga, Ontario L4V1L2 ♦ Phone: 905-405-8272 Fax: 905-405-1292