



Z5577

Dual Flush Pressure Assist, Round Front, Two-Piece Toilet TAG _____



Z5577 Series

Z5577 Series

- 1.6 gpf [6 Lpf] or 1.0 gpf [4 Lpf] flow rate
- High efficiency toilet (HET) reduces potable water usage over 30%
- Vitreous china
- Pressure assisted tank
- High performance EcoFlush™ technology
- Easy touch handle actuation
- Ultra quiet flush
- Siphon jet flush action
- 2-1/8" fully glazed trapway
- Operating pressure range 20-125 psi
- Round front rim
- Chrome plated handle
- Large water surface area
- Includes bolt caps
- Shipping weight: 95 lbs.

Suffix Options:

___ -RH Vitreous China right-hand lever tank

Please Note: 1.6 gpf and HET 1.0 gpf pressure assist tanks also available. See Models Z5575 and Z5576.

Recommended Trim:

- Z5972-COMB**
Closet bolt & wax ring kit.
- Z5958SS-RD**
Round, white, closed front toilet seat with cover & stainless steel check hinge.
- Z8800-CR**
Standard stop with flexible closet riser.

Optional Trim:

- Z5975-FLO-JR**
PVC Flo-Bowl Jr. closet flange kit

Engineering Specification:

- Z5577** Vitreous china, High efficiency dual flush 1.6 gpf [Lpf] or 1.0 gpf [4 Lpf], Pressure Assisted, Round Front, Two-Piece Toilet with 12" Rough-in.

These dimensions and specifications are subject to change without notice.

Fixture dimensions meet ANSI/ASME standard A112.19.2-2003 and CAN/CSA B45 requirements.

This space is for Architectural/engineering Approval
--

See Zurn One Systems for suggested packages.

Zurn Plumbing Products Group Commercial Brass and Fixtures Operation
2640 South Work Street · Falconer, NY 14733 · Phone: 716-665-1132 · Fax: 716-665-1135 · www.zurn.com

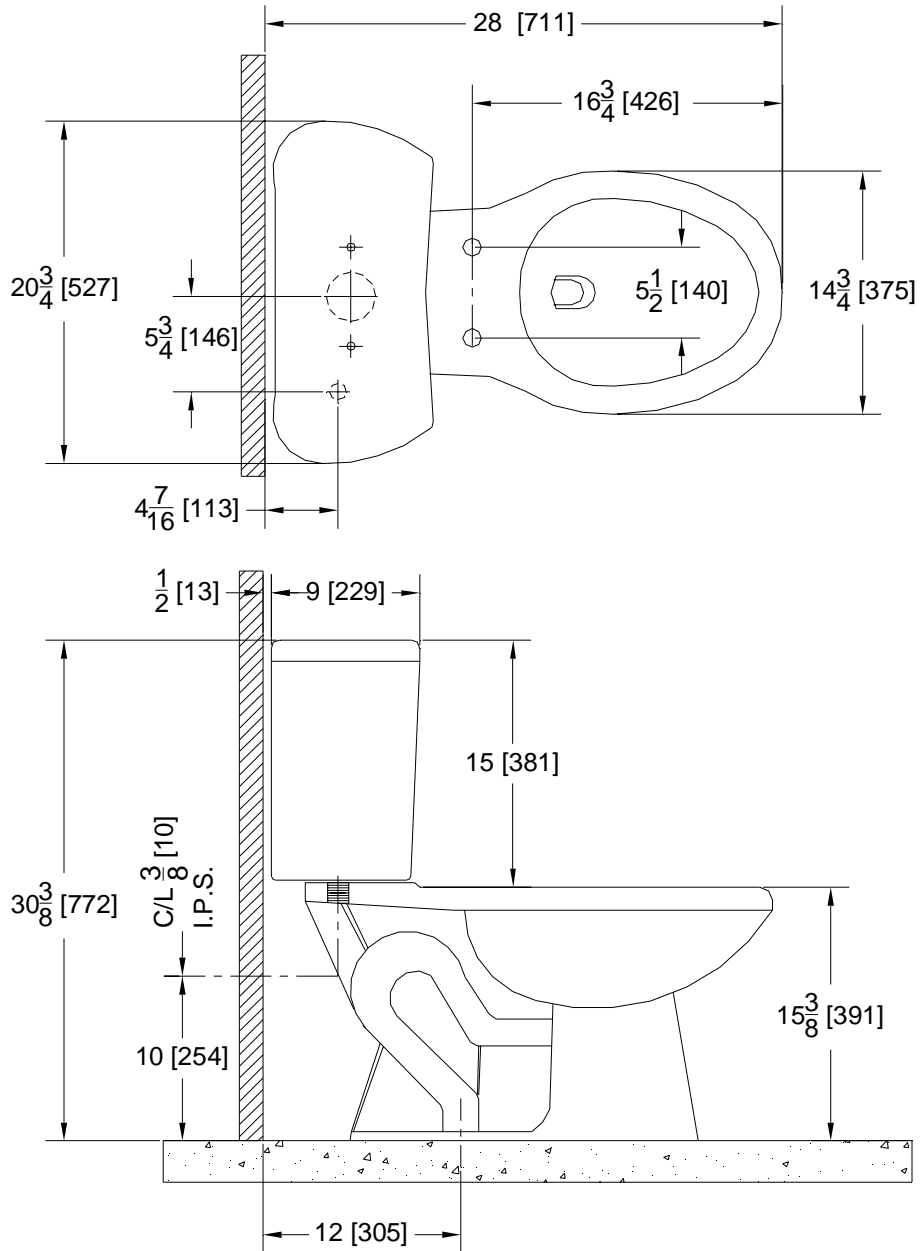


Z5577

Dual Flush Pressure Assist, Round Front, Two-Piece Toilet Rough-In

TAG _____

Rough-in dimensions for Z5577



These dimensions and specifications are subject to change without notice.

Fixture dimensions meet ANSI/ASME standard A112.19.2-2003 and CAN/CSA B45 requirements.

Zurn Plumbing Products Group Commercial Brass and Fixtures Operation
2640 South Work Street · Falconer, NY 14733 · Phone: 716-665-1132 · Fax: 716-665-1135 · www.zurn.com