



Z5540

1.6 GPF Round, Siphon Jet Two-Piece Toilet

TAG _____



Z5540 Series

- 1.6 gpf (gallons per flush)
- Vitreous china
- Round front rim
- 2-1/8" fully glazed trapway
- Siphon jet action round bowl
- Pilot fill valve
- Chrome plated metal handle
- Includes bolt caps
- Large water surface
- Shipping weight: 78 lbs.

Engineering Specification:

- Z5540** Vitreous china, 1.6 gpf [6 Lpf] low consumption, round front, siphon jet action, floor mounted toilet with 12" rough-in.

Z5540 Series

Suffix Options:

- IN** Insulated Tank
- RH** Tank with right-hand actuator
- VL** Vandal-proof locking lid.

Recommended Trim:

- Z5958SS-RD**
Round, white, closed front toilet seat with cover & stainless steel check hinge.
- Z5972-COMB**
Closet bolt/wax ring kit.
- Z8800-CR**
Standard stop with flexible closet riser.

Optional Trim:

- Z5975-FLO-JR**
PVC Flo-Bowl Jr. closet flange kit

These dimensions and specifications are subject to change without notice.

Fixture dimensions meet ANSI/ASME standard A112.19.2 and CAN/CSA B45 requirements.

Note: Call for availability of multiple suffix options.

This space is for Architectural/engineering Approval

See Zurn One Systems for suggested packages.

Zurn Plumbing Products Group Commercial Brass and Fixtures Operation
2640 South Work Street · Falconer, NY 14733 · Phone: 716-665-1132 · Fax: 716-665-1135 · www.zurn.com



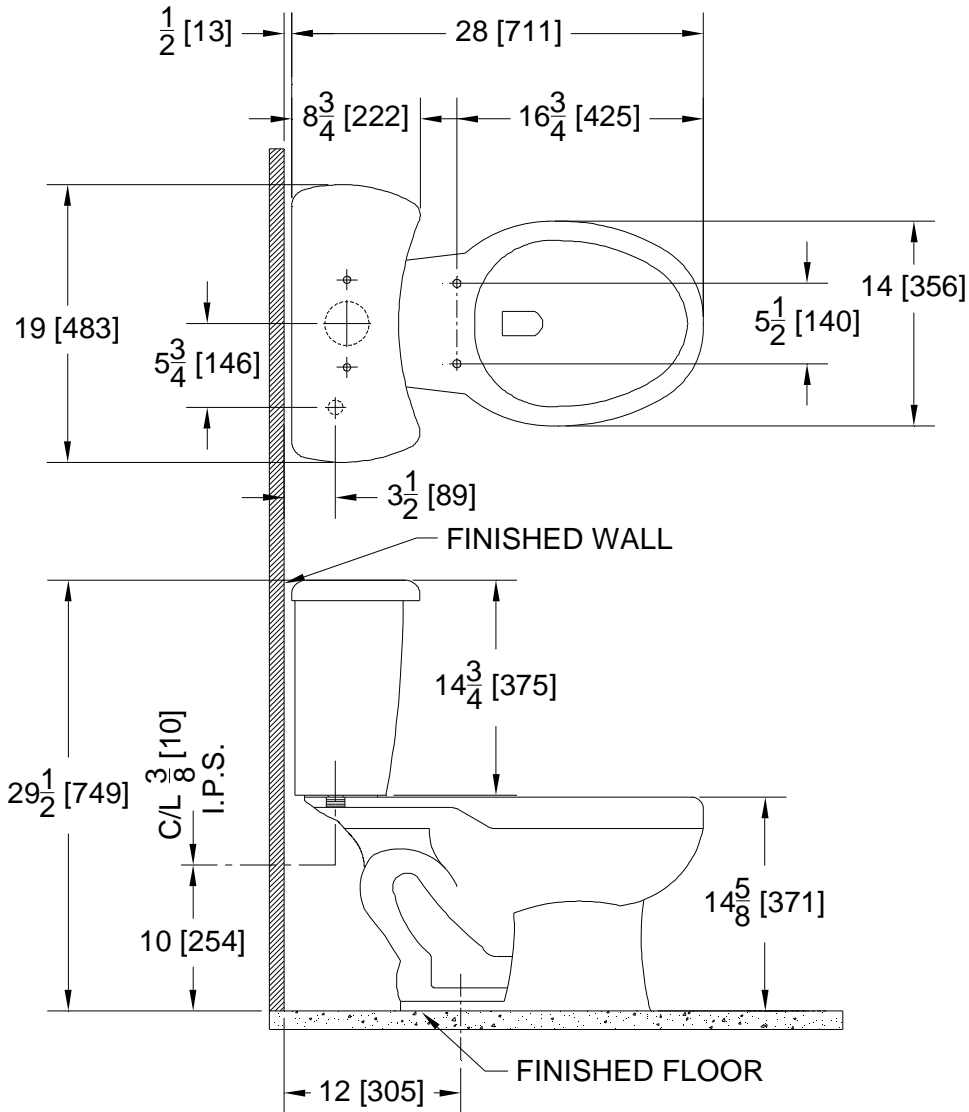
Z5540

1.6 GPF Round, Siphon Jet Two-Piece Toilet Rough-in

TAG _____

Rough-in dimensions for Z5540 Series

- Z5540 round toilet with 12" rough-in
- Z5540-10 round toilet with 10" rough-in
- Z5540-14 round toilet with 14" rough-in



These dimensions and specifications are subject to change without notice.

Fixture dimensions meet ANSI/ASME standard A112.19.2 and CAN/CSA B45 requirements.

Zurn Plumbing Products Group Commercial Brass and Fixtures Operation
2640 South Work Street · Falconer, NY 14733 · Phone: 716-665-1132 · Fax: 716-665-1135 · www.zurn.com