



# Z5360-PED

20" x 18" High Back Wall Hung  
Lavatory W/ Half Pedestal

TAG \_\_\_\_\_



## Z5360-PED Series

- 20" [508 mm] x 18" [457 mm]
- Vitreous china
- Faucet holes for single, 4", or 8" centers
- Wall hung lavatory provided with wall hanger or for use with concealed arm carrier systems
- Vitreous china half pedestal
- Front overflow
- Waste: 1-1/4" O.D.
- Depth: 5-3/4"

*Z5360-PED Series*

### Recommended Trim:

- Z8743-PC** Grid Strainer.
- Z8700** Series P-Trap.
- Z8800** Series Stop with Flexible Supplies.
- Z8946-1-NT** ADA Trap, Stop, and Supply Protectors.

### Optional Trim:

- Z8746-PC** ADA Grid Strainer.
- Z8946-3-NT** ADA Trap, Stop, and Supply Protectors for Offset Grid Strainers.

### Engineering Specification:

- Z5361-PED** 20" x 18" vitreous china wall hung lavatory with single faucet hole and vitreous china half pedestal that conceals traps and supplies. Provided with hanger plate and holes for concealed arm carrier systems.
- Z5364-PED** 20" x 18" vitreous china wall hung lavatory with 4" center faucet holes and vitreous china half pedestal that conceals traps and supplies. Provided with hanger plate and holes for concealed arm carrier systems.
- Z5368-PED** 20" x 18" vitreous china wall hung lavatory with 8" center faucet holes and vitreous china half pedestal that conceals traps and supplies. Provided with hanger plate and holes for concealed arm carrier systems.

This space is for Architectural/engineering Approval

*These dimensions and specifications are subject to change without notice.*

*Fixture dimensions meet ANSI/ASME standard A112.19.2-2003 and CAN/CSA B45 requirements.*

*Meets the American Disabilities Guidelines and ANSI A117.1 requirements when lavatory is installed 34" [864mm] from finished floor.*



See Zurn One Systems for suggested packages.

**Zurn Plumbing Products Group** Commercial Brass and Fixtures Operation  
2640 South Work Street · Falconer, NY 14733 · Phone: 716-665-1132 · Fax: 716-665-1135 · www.zurn.com



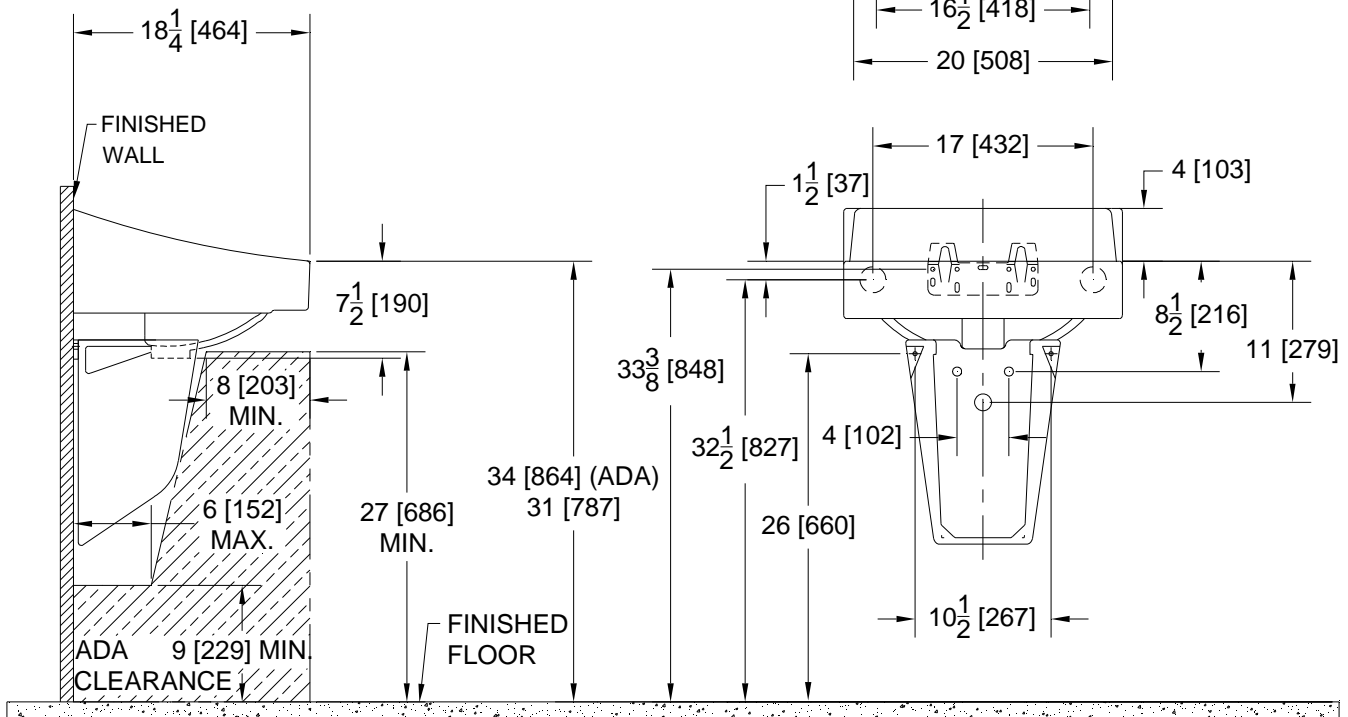
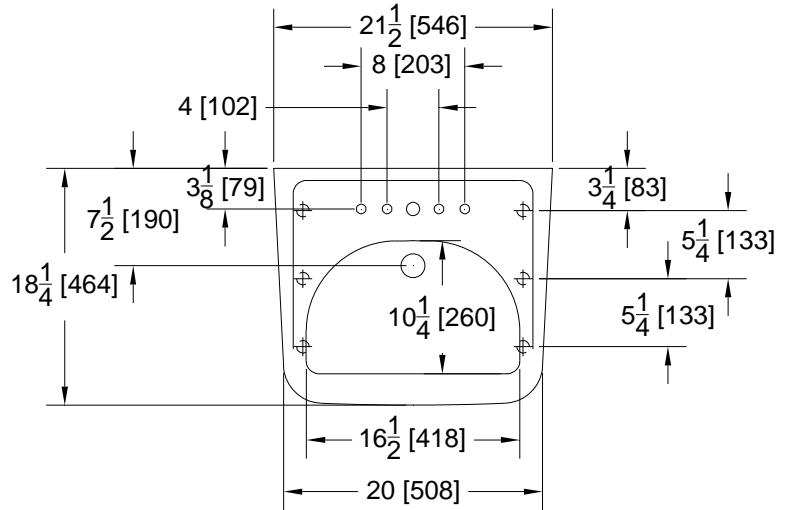
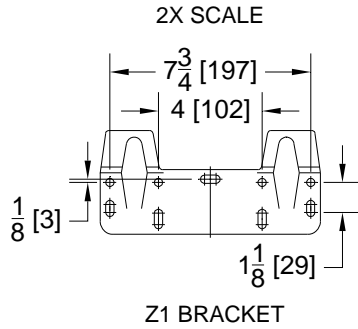
# Z5360-PED

## 20" x 18" High Back Wall Hung Lavatory W/ Half Pedestal

TAG \_\_\_\_\_

Rough-in dimensions for Z5360-PED Series

- Z5361-PED Lavatory with single faucet hole
- Z5364-PED Lavatory with 4" center faucet holes
- Z5368-PED Lavatory with 8" center faucet holes



These dimensions and specifications are subject to change without notice.

Fixture dimensions meet ANSI/ASME standard A112.19.2-2003 and CAN/CSA B45 requirements.

Meets the American Disabilities Guidelines and ANSI A117.1 requirements when lavatory is installed 34" [864mm] from finished floor.



Note: Rough-in for concealed arm carrier, see Zurn Z-1231 Rough-in sheet.

Zurn Plumbing Products Group Commercial Brass and Fixtures Operation

2640 South Work Street · Falconer, NY 14733 · Phone: 716-665-1132 · Fax: 716-665-1135 · www.zurn.com