



Z5110

20" x 17" Countertop Lavatory

TAG _____

Architectural/Engineering Specification:

20" x 17" vitreous china, self-rimming, countertop lavatory

Product Features:

- 20" [508 mm] x 17" [432 mm]
- Vitreous china
- Faucet holes for single, 4" or 8" centers
- Self-rimming front overflow design
- Waste: 1-1/4" O.D.
- Depth: 6-5/8"
- Shipping Weight: 22 lbs.

Suffix Options:

- LS Left Side Soap Hole (Z5111 only)
- RS Right Side Soap Hole (Z5111 only)

Recommended Trim:

- Z8743-PC Grid Strainer
- Z8700 Series P-Trap
- Z8800 Series Top with Flexible Supplies
- Z8946-1-NT ADA Trap, Stop, and Supply Protectors

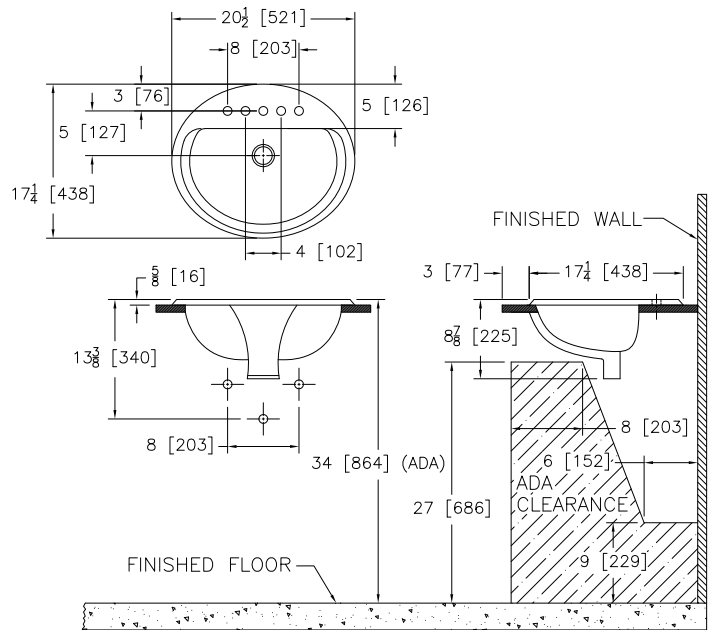
Optional Trim:

- Z8746-PC ADA Grid Strainer
- Z8946-3-NT ADA Trap, Stop, and Supply Protectors for Offset Grid Strainer



Configurations:

- Z5111 Lavatory with single faucet hole
- Z5114 Lavatory with 4" center faucet holes
- Z5118 Lavatory with 8" center faucet holes



See Zurn One Systems for suggested packages.

Architectural/Engineering Approval

The information contained in this document is subject to change without notice. Please contact Zurn for most up to date information.

Compliance and Certification:

- ADA Compliant



Meets the American Disabilities Guidelines and ANSI A117.1 requirements when installed 34"[84mm] from finished floor. Fixture dimensions meet ASME A112.19.2/CSA B45.1 requirements. In Canada - Consult local codes and standards.