

# UltraHot® Faucets

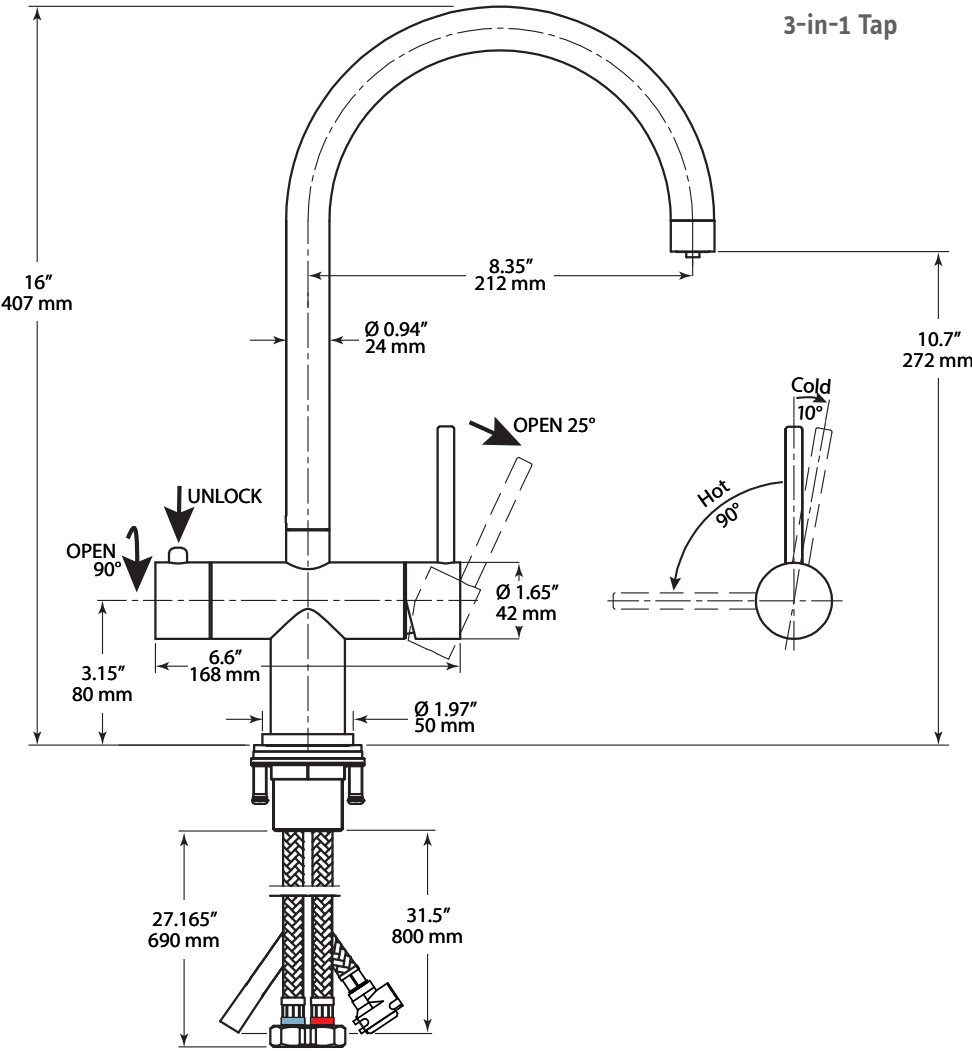
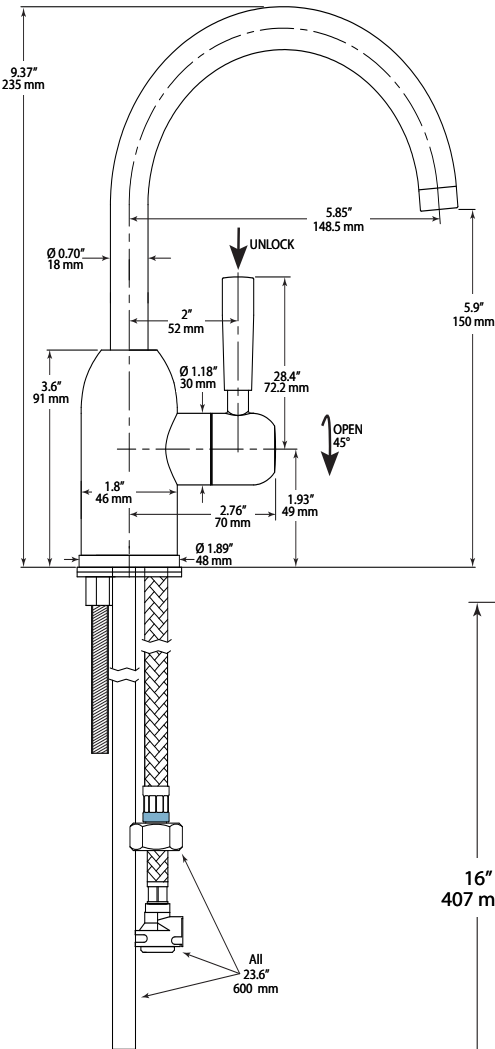
## Technical specifications

Model	Mono-Tap Faucets		3-in-1 Combination Faucets	
<b>Item type</b>	Non-pressurized faucet for instant hot water dispenser			
<b>Description</b>	dispenses near-boiling water only		dispenses near-boiling water plus hot & cold water from domestic supply	
<b>Product name</b>	Mono N1c	Mono N1b	3-in-1 N1c	3-in-1 N1b
<b>Item number</b>	203885	203886	203887	203888
<b>Alternate Item Number</b>	351543	351544	351545	351546
<b>Finish</b>	Chrome	Brushed Nickel	Chrome	Brushed Nickel
<b>Max. flow rate of near-boiling water</b>	0.66 gpm (2.5 l/min)			
<b>Max. flow rate of hot/cold domestic water</b>	n/a		1.3 gpm (5 l/min)	
<b>Max. permissible pressure domestic cold water supply to faucet</b>	87 psi (0.6 MPa)			
<b>Max. permissible pressure near-boiling water to faucet</b>	0 (pressureless)			
<b>Faucet overall height</b>	9 <sup>1</sup> / <sub>4</sub> " (235 mm)		16" (407 mm)	
<b>Faucet reach</b>	5 <sup>7</sup> / <sub>8</sub> " (148.5 mm)		8 <sup>11</sup> / <sub>32</sub> " (212 mm)	
<b>Height to faucet spout</b>	5 <sup>5</sup> / <sub>16</sub> " (150 mm)		10 <sup>11</sup> / <sub>16</sub> " (272 mm)	
<b>Back-splash clearance</b>	2" (51 mm) minimum			
<b>Hole diameter</b>	1 <sup>1</sup> / <sub>4</sub> –1 <sup>1</sup> / <sub>2</sub> " (32–38 mm)			
<b>Max. counter thickness</b>	3" (76 mm)			
<b>Weight</b>	2.75 lb (1.25 kg)		4.5 lb (2.05 kg)	



Tested and certified by WQA to NSF/ANSI/CAN 372 for lead free compliance.

**UltraHot® Faucets**  
**Dimensions**



rev. 5.2024 Due to our continuous process of engineering and technological advancement, specifications may change without notice.