

OPERATION AND INSTALLATION

OPERACIÓN E INSTALACIÓN

UTILISATION ET INSTALLATION

Thermostatic Point-of-Use Electric Tankless Water Heater

Calentador de Agua Eléctrico sin Tanque con Control Termostático de Temperatura

Chauffe-eau Instantané Thermostatiques pour Point d'utilisation

- » MINI™-E 2-1
- » MINI™-E 2.5-1
- » MINI™-E 3-1
- » MINI™-E 3-3
- » MINI™-E 3.5-1
- » MINI™-E 4-2
- » MINI™-E 4-3
- » MINI™-E 6-2
- » MINI™-E 6-3



Conforms to UL Std. 499

Certified to CAN/CSA Std. C22.2 No. 64

Conforme a UL Std. 499

Certificación CAN/CSA Std. C22.2 No. 64

Conforme à la norme UL Std. 499

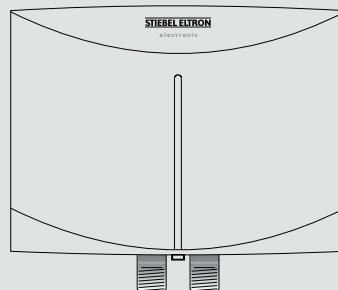
Certifié à la norme CAN/CSA Std. C22.2 No. 64



Tested and certified by WQA to NSF/ANSI/CAN 372 for lead free compliance.

Probado y certificado por WQA NSF/ANSI/CAN 372 para el cumplimiento de las regulaciones sin plomo.

Testé et certifié par WQA à la NSF/ANSI/CAN 372 pour une utilisation sans plomb.



STIEBEL ELTRON

TABLE OF CONTENTS

SPECIAL INFORMATION

OPERATION

1. General information	3
1.1 Safety instructions	4
1.2 Other symbols in this documentation	4
2. Safety	5
2.1 Intended use	5
2.2 General safety instructions	5
3. Register your product	6
4. Appliance description	6
5. Adjustment	7
6. Cleaning, care and maintenance	7

INSTALLATION

7. Safety	8
7.1 General safety instructions	8
8. Appliance description	8
8.1 Standard delivery	8
8.2 Optional accessories	8

9. Preparations	8
10. Installation	9
10.1 Installation site	9
10.2 Installation configuration	10
10.3 Connecting the power supply	12
11. Commissioning	13
11.1 Initial start-up	13
11.2 Appliance handover	13
11.3 Recommissioning	13
11.4 Settings	13
12. Shutting down	15
13. Troubleshooting	15
14. Maintenance	17
15. Specification	18
15.1 Dimensions and connections	18
15.2 Wiring diagram	18
15.3 Temperature rise table	20
15.4 Data table	21
16. Spare parts list	23
17. Warranty	24

SPECIAL INFORMATION

- Ensure the appliance can be separated from the power supply by a circuit breaker that disconnects all poles.
- If the power cable is damaged, it must only be replaced by a qualified contractor and the repair must be authorized by Stiebel Eltron using the original spare part.
- Secure the appliance as described in the section "Installation", pg. 8.
- Observe the maximum permissible pressure described in section 15.4, "Data table", pg. 21.
- Drain the appliance as described in the section "Draining the appliance", pg. 17.

OPERATION

1. General information

The chapter "Operation" is intended for homeowners, heating contractors, plumbers and electricians.

The chapter "Installation" is intended for heating contractors, plumbers and electricians only.



Note:


Read these instructions carefully before using the appliance and retain them for future reference.

Pass on the instructions to a new user if required.




GENERAL INFORMATION

1.1 Safety instructions

1.1.1 Structure of safety instructions

	KEYWORD: Type of risk Here, possible consequences are listed that may result from failure to observe the safety instructions. ► Steps to prevent the risk are listed.
--	--

1.1.2 Symbols, type of risk

Symbol	Type of risk
	Injury
	Electrocution
	Burns or scalding

1.1.3 Keywords



KEYWORD	Meaning
DANGER	Failure to observe this information will result in serious injury or death.
WARNING	Failure to observe this information may result in serious injury or death.
CAUTION	Failure to observe this information may result in non-serious or minor injury.

1.2 Other symbols in this documentation



Note:

Notes are bordered by horizontal lines above and below the text. General information is identified by the symbol shown on the left.

Symbol	
	Material losses (appliance damage, consequential losses and environmental pollution)
	Appliance disposal

2. Safety

2.1 Intended use

This appliance is intended for residential use. It can be used safely by untrained persons. The appliance can also be used in a non-residential environment, e.g. in a small business, as long as it is used in the same way.

This appliance is suitable for heating domestic hot water (DHW) or for heating preheated water. The appliance is designed for one hand-washing sink.



Note:

The Mini-E 6-2 and Mini-E 6-3 are the only Mini-E models which are designed to supply hot water to one OR two hand-washing sinks. Plumbing any other Mini-E model to more than one hand-washing sink shall be deemed inappropriate.

Any other use beyond that described shall be deemed inappropriate. Observation of these instructions and of instructions for any accessories used is also part of the correct use of this appliance.

2.2 General safety instructions



DANGER: Scalding

During operation, the tap can reach temperatures in excess of 122 °F (50 °C). There is a risk of scalding at outlet temperatures in excess of 109 °F (43 °C).



DANGER: Electrocution

Any damaged power cables must be replaced by a qualified electrician. This prevents potential hazards due to improper installation.



CAUTION: DO NOT INSTALL IN A BATH ENCLOSURE OR SHOWER STALL. DO NOT CONNECT TO A SALT-REGENERATED WATER SOFTENER OR A WATER SUPPLY OF SALT WATER.

FOR USE ON AN INDIVIDUAL BRANCH CIRCUIT ONLY.

CAUTION: CONNECT ONLY TO A CIRCUIT PROTECTED BY A CLASS A GROUND FAULT INTERRUPTER

USE BONDING CONDUCTOR IN ACCORDANCE WITH THE CANADIAN ELECTRICAL CODE, PART I

REGISTER YOUR PRODUCT



Material losses:

Protect the appliance and the tap against freezing.



Material losses:

Only use the provided aerator(s). Prevent scale build-up at the tap outlets (See chapter 6, “Cleaning, care and maintenance”, pg. 7).

3. Register your product



You must register this product within 90 days of purchase on our web site in order to activate the standard warranty or to be eligible for the extended warranty. Go to our website at www.stiebel-eltron-usa.com and click on “Register Your Product.”

Before beginning the registration process, we suggest that you gather the necessary information which will be as follows:

Type, Example: Mini-E 6-2 (from the label that is on the unit)

Number listed after “Nr.”

Place of Purchase

Purchase Date

First & Last Name

Email address

Physical Address

Phone Number

Installation Date

If you have any questions concerning the registration process or warranty options, please contact Stiebel Eltron USA directly at 800.582.8423.

4. Appliance description

This thermostatically controlled tankless electric water heater maintains a constant outlet temperature up to its output limit, regardless of the inlet temperature.

This appliance has been factory-set to 100 °F (38 °C). Once this temperature has been reached, the main control board automatically maintains this temperature. The output is matched to the set temperature and prevents this temperature from being exceeded.

The appliance heats the water directly at the draw-off point as soon as the tap is opened. Short pipe runs ensure that energy and water losses are minimal.

ADJUSTMENT

The DHW output temperature depends on the cold water temperature, water heater capacity and the flow rate.

The Advanced Direct Coil™ heating system is suitable for hard and soft water areas. This heating system has a low susceptibility to scale build-up. The heating system ensures quick and efficient hot water provided at the point-of-use.

Your qualified contractor can adjust the maximum temperature setting (see 11.4, “Settings”, pg. 13).

You must use the aerator provided with the appliance.

If you have questions regarding the way you plan to use this device, please call our technical service line at 800.582.8423 (USA and Canada).

For service outside the U.S. and Canada, please call us at 413.247.3380. You can also e-mail us at info@stiebel-eltron-usa.com or fax us at 413.247.3369.

5. Adjustment

The appliance heating system switches on automatically as soon as you open the tap. The water is heated. The water temperature can be adjusted at the tap:

To increase the temperature

- ▶ Reduce the flow rate at the tap.

To reduce the temperature

- ▶ Open the tap further or add more cold water.

Following an interruption of the water supply

See 11.3, “Recommissioning”, pg. 13.

6. Cleaning, care and maintenance

- ▶ Never use abrasive or corrosive cleaning agents. A damp cloth is sufficient for cleaning the outside of the appliance.
- ▶ Check the taps/valves regularly. Lime-scale deposits can be removed using commercially available descaling agents.
- ▶ Have the electrical safety of the appliance periodically checked by an electrician.
- ▶ Regularly descale or replace the provided aerator(s) (See 8.2, “Optional accessories”, pg. 8).

INSTALLATION

7. Safety

Only a qualified contractor should carry out installation, commissioning, maintenance and repair of the appliance.

7.1 General safety instructions

We guarantee trouble-free function and operational reliability only if original accessories and spare parts intended for the appliance are used.



Material losses:

Observe the max. permissible inlet temperature. Higher temperatures may damage the appliance. You can limit the inlet temperature by means of a central thermostatic valve (See 8.2, "Optional accessories", pg. 8).



Note:

Observe all applicable national, state & local regulations codes, and instructions.

8. Appliance description

8.1 Standard delivery

The following are delivered with the appliance:

- Filter screen in the cold water inlet
- Aerator(s)
- Power cable

8.2 Optional accessories

Mini-E TLC - Thermostatic mixing valve

For ASSE 1070-2004 compliance, use optional Mini-E TLC kit available from Stiebel Eltron.

Visit www.stiebel-eltron-usa.com for more information.

9. Preparations

- ▶ Flush the water line thoroughly.

Water installation

A safety valve is not required by Stiebel Eltron, but one may be required by local plumbing code. Check the codes before installation.

INSTALLATION



Note:

Installing the supplied aerator(s) is required, and provides optimum water flow.

10. Installation

10.1 Installation site

Do not install in an area that can be exposed to temperatures below 41 °F (5 °C).

Ensure access to the opening screws on both sides of the cover so that they can be easily removed if service is necessary.

The appliance is suitable for an under-sink or over-sink installation. It can be installed with water connections at the top or at the bottom.



DANGER: Electrocutation

The adjustment screw for setting the temperature is live, and the IP25 protection is only given when the appliance back panel is fitted.



CAUTION: DO NOT INSTALL IN A BATH ENCLOSURE OR SHOWER STALL. DO NOT CONNECT TO A SALT-REGENERATED WATER SOFTENER OR A WATER SUPPLY OF SALT WATER.

FOR USE ON AN INDIVIDUAL BRANCH CIRCUIT ONLY.

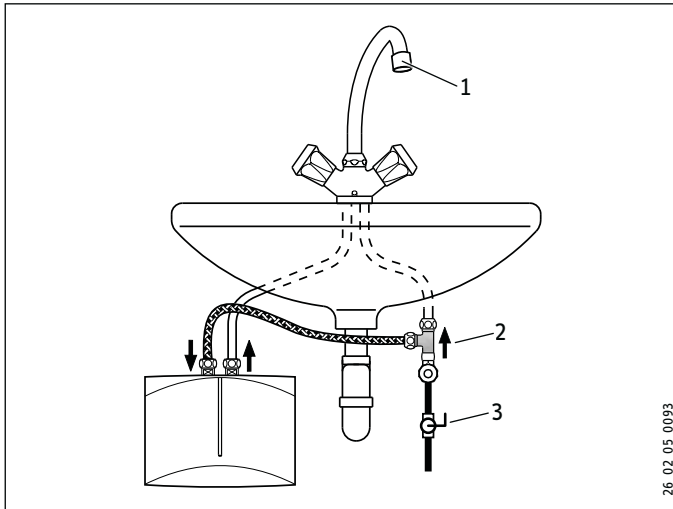
CAUTION: CONNECT ONLY TO A CIRCUIT PROTECTED BY A CLASS A GROUND FAULT INTERRUPTER

USE BONDING CONDUCTOR IN ACCORDANCE WITH THE CANADIAN ELECTRICAL CODE, PART I

INSTALLATION

10.2 Installation configuration

10.2.1 Typical installation



- 1 Aerator
- 2 Tee
- 3 Shut-off valve

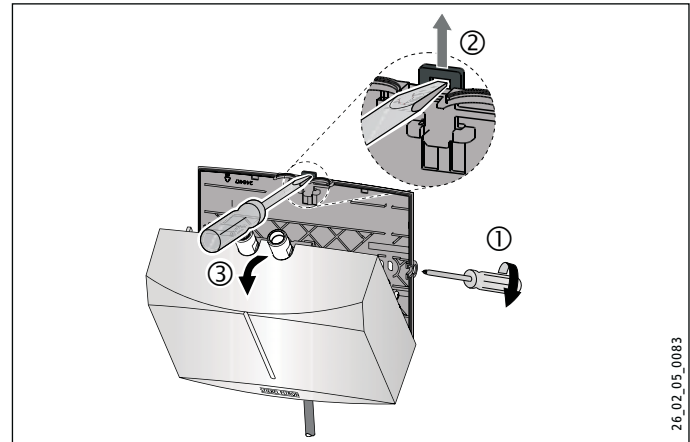
26_02_05_0083

10.2.2 Appliance installation



Note:

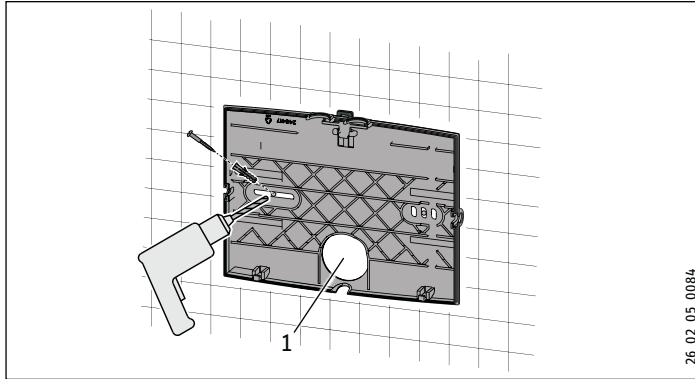
- ▶ Mount the appliance on the wall.
The wall must have a sufficient load-bearing capacity for the weight of the device.



- 1 Undo the cover screws by two turns.
- 2 Undo the snap fastener using a screwdriver.
- 3 Remove the appliance cover with the heater towards the front.

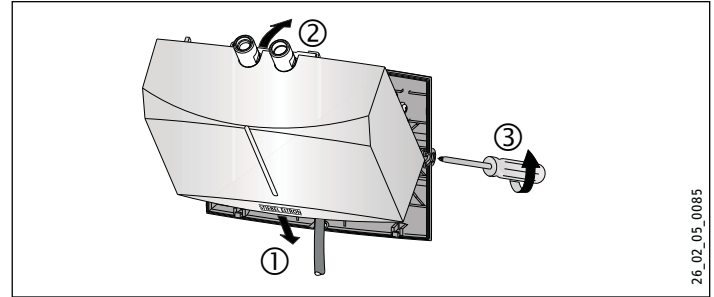
26_02_05_0083

INSTALLATION



1 Knockout for hard-wiring

- ▶ Using pliers, break out the knock-out for the power cable in the appliance cover. Correct the contours with a file if necessary.
- ▶ Use the appliance back panel as a drilling template.
- ▶ Secure the appliance back panel to the wall with suitable plugs and screws.



- 1 Hook in the appliance cover
- 2 Click the heater into place using the snap fastener.
- 3 Secure the appliance cover with the cover fastening screws.

Faucet installation

- ▶ Install the connections to the faucet. For this, also observe the faucet operating and installation instructions.



Material losses:

- ▶ When making the connections, counter the torque on the appliance using a 14 mm wrench.

INSTALLATION

10.3 Connecting the power supply



DANGER: Electrocutation

Carry out all electrical connection and installation work in accordance with national, state & local regulations.



DANGER: Electrocutation

Ensure that the appliance is grounded.
Ensure the appliance can be separated from the power supply by a circuit breaker that disconnects all poles.



DANGER: Electrocutation

The appliances are delivered with a power cable to be connected to a permanent power supply.
Ensure that the proper wire gauge is installed with the appliance in accordance with the minimum recommended wire size in section 15.4, “Data table”, pg. 21.



Material losses:

When making the connection to a standard wall socket, ensure that the socket is freely accessible to be easily disconnected in case of an issue.



Material losses:

Take note of the product label. The specified voltage must match the mains voltage.

10.3.1 Wiring

For 120 V or 277 V units, the brown wire of the pigtail should be hooked up to L (Load/Live), the blue wire to N (Neutral), and the green/yellow wire to the ground GND.

For 208/240 V units, the brown wire of the pigtail should be hooked up to L1, the blue wire to L2, and the green/yellow wire to the ground GND.

► If the appliance is to be hardwired, connect the power cable as shown in the wiring diagram (see 15.2, “Wiring diagram”, pg. 18).

COMMISSIONING

11. Commissioning

11.1 Initial start-up



- ▶ Before you activate the power supply, fill the appliance with water first to avoid dry firing the heating element.
- ▶ Check for leaks.
- ▶ Activate the power supply.
- ▶ Run the tap.
- ▶ Check the function of the appliance.

11.2 Appliance handover

- ▶ Explain the appliance function to users and familiarize them with its operation.
- ▶ Make users aware of potential dangers, especially the risk of scalding.
- ▶ Hand over these instructions.

11.3 Recommissioning



Material losses:

Following an interruption of the water supply, recommission the appliance by carrying out the following steps in order to prevent irreparable damage to the Advanced Direct Coil™ heating system.

- ▶ Deactivate the power supply.
- ▶ Follow the steps in section 11.1, “Initial start-up”, pg. 13.

11.4 Settings

You can alter the maximum temperature setting using the potentiometer on the interior of the appliance.



DANGER: Electrocutation

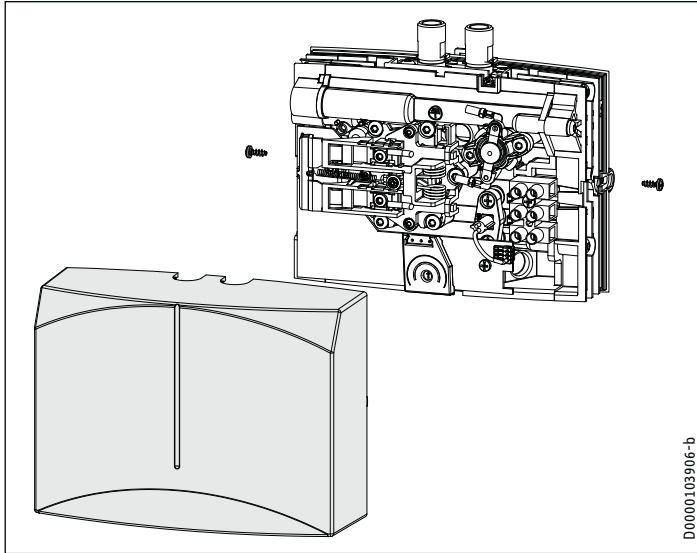
The temperature may only be adjusted if the appliance is isolated from the power supply.



DANGER: Electrocutation

The adjusting screw for setting the temperature is live when the power supply is active.

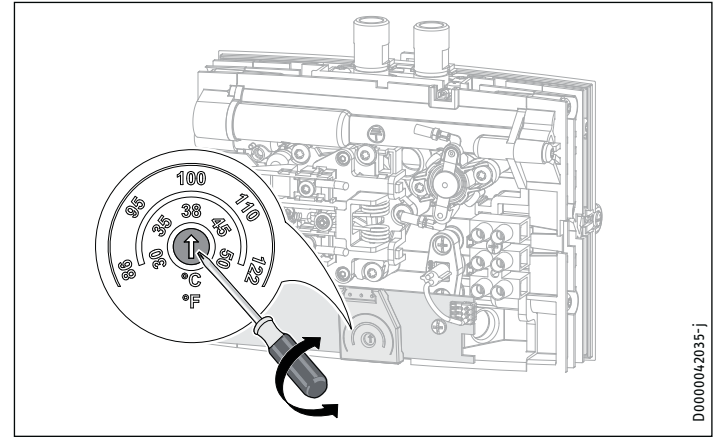
COMMISSIONING



- ▶ Remove the appliance cover.

Setting the maximum temperature

Factory setting: 100 °F (38 °C)



Do not adjust the temperature unless the power supply has been deactivated/disconnected.

- ▶ Using a flat screwdriver, set the potentiometer to the maximum required temperature.
- ▶ Re-fit the appliance cover.

SHUTTING DOWN

12. Shutting down

- ▶ Turn off the circuit breaker connected to the appliance.
- ▶ Drain the appliance (See , “Draining the appliance”, pg. 17).

13. Troubleshooting

Problem	Cause	Solution
The appliance will not start despite the tap being fully open.	No power to the appliance	Check the fuses/circuit breaker.
	The flow rate is too low.	Increase the flow rate. Clean aerator installed at faucet
	The filter screen in the cold water line is blocked.	Clean the filter screen after shutting off the cold water inlet line.
	The heater is faulty.	Check the resistance of the heating system and replace the appliance if required. Contact Stiebel Eltron for additional troubleshooting
The safety pressure cutout has activated.	Remedy the cause of the fault. Isolate the appliance from the power supply and depressurize the water line. Reset the safety pressure cutout.	

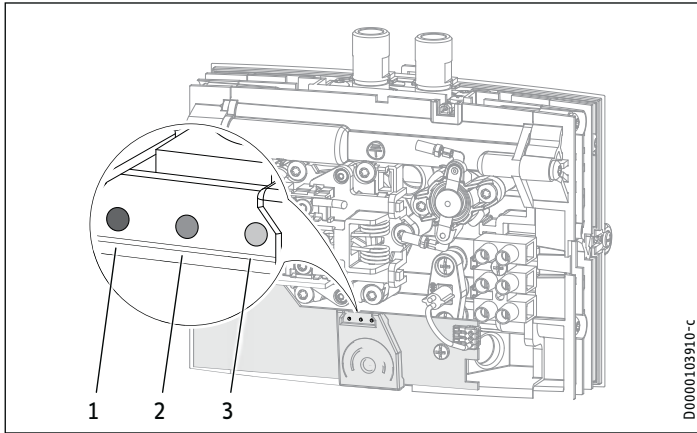
Problem	Cause	Solution
The required temperature is not being reached.	The maximum temperature set inside the appliance is too low.	Have your qualified installer adjust the maximum temperature.
	The appliance is operating beyond its output limit.	Reduce the flow rate.

If you cannot solve the problem, notify your qualified contractor. To facilitate and speed up your request, provide the serial number from the type plate (000000-0000-000000).

Mini-E Nr.: 000000-0000-000000

TROUBLESHOOTING

LED indicators



D0000103910-c

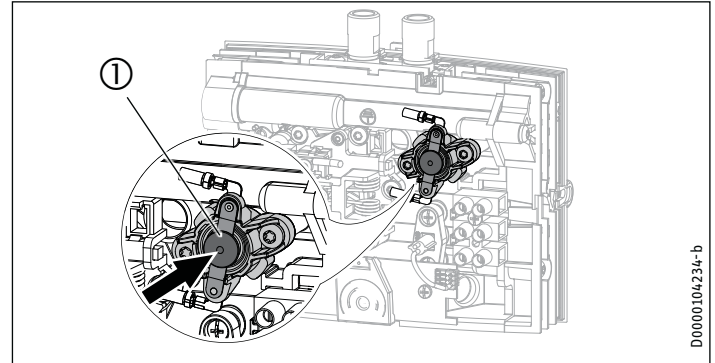
- 1 Illuminates red in case of a fault
- 2 Illuminates yellow during heating operation or flashes yellow when demand is exceeding capacity
- 3 Flashes green if the main control board is receiving power

Safety pressure cutout



DANGER: Electrocution

Do not attempt to reset the safety pressure cutout of this water heater unless power to the unit has been completely shut off at the circuit breakers.



D0000104234-b

1 Safety pressure cutout for Mini-E

If the safety pressure cutout is consistently tripping, there may be an issue with the hot water supply or the appliance. Contact your installation contractor to troubleshoot the appliance.

14. Maintenance



DANGER: Electrocutation

Before any work on the appliance, disconnect the power supply.

Draining the appliance



DANGER: Scalding

Hot water may escape during the draining process.

If the appliance needs to be drained for maintenance or to protect the appliance when there is a risk of frost, proceed as follows:

- ▶ Close the shut-off valve in the cold water inlet line.
- ▶ Open the draw-off valve.
- ▶ Undo the water connections on the appliance.

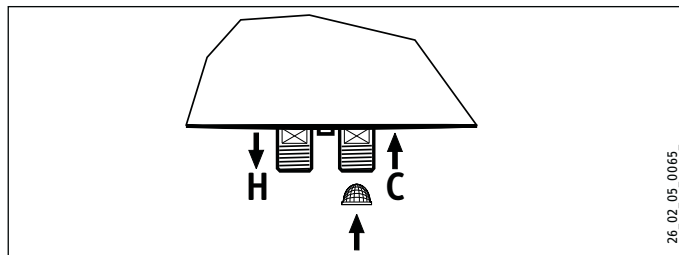


Note:

The filter screen should be checked regularly for debris and scale, and cleaned or replaced if necessary. Always shut off power and water to the unit prior to removing the filter screen.

Cleaning the filter screen

You can clean the filter screen after removing the cold water supply connection.



Checking the ground conductor

- ▶ Check the ground conductor on the appliance connection cable.

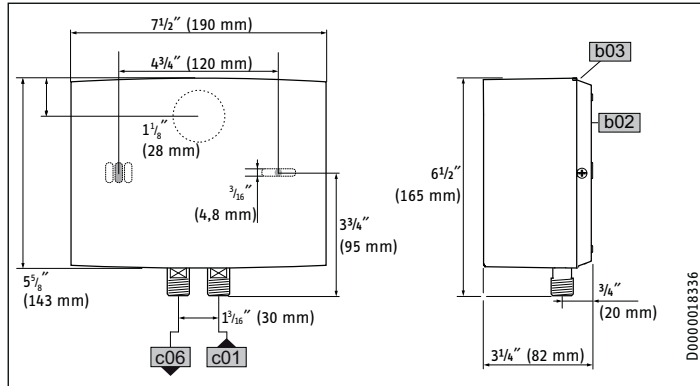
Appliance storage

- ▶ Store the dismantled appliance in a room free from the risk of freezing, as water residues remaining inside the appliance can freeze and cause damage.

SPECIFICATION

15. Specification

15.1 Dimensions and connections

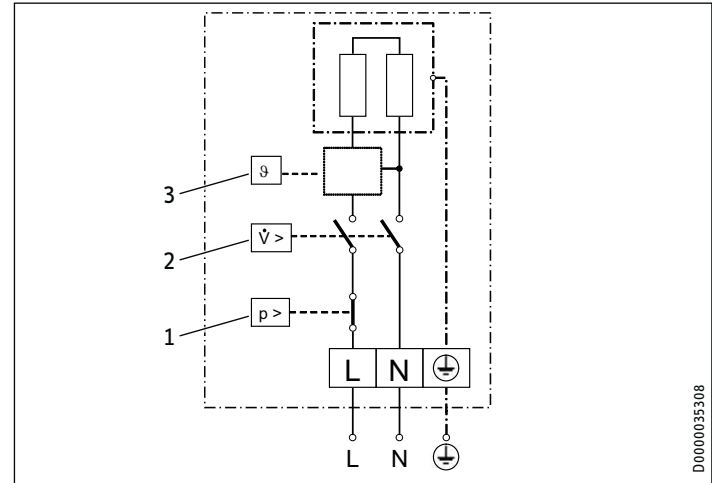


	Mini™-E
b02	Electric cable entry 1
b03	Electric cable entry 2
c01	Cold water inlet $\frac{3}{8}$ " G male*
c06	DHW outlet $\frac{3}{8}$ " G male*

*This is a parallel thread for connection to a $\frac{3}{8}$ " O.D. flex connector or $\frac{3}{8}$ " compression fitting

15.2 Wiring diagram

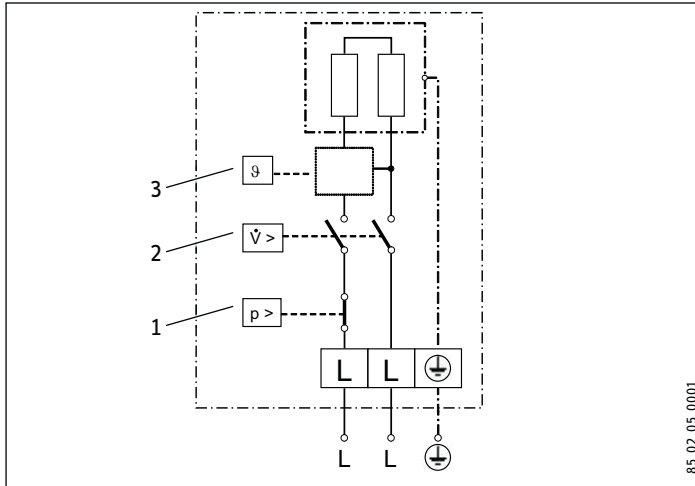
15.2.1 Mini-E 2-1, Mini-E 2.5-1, Mini-E 3-1, Mini-E 3.5-1 ~ 110-120 V; Mini-E 3-3, Mini-E 4-3, Mini-E 6-3 ~ 277 V



- 1 Safety pressure cutout
- 2 Flow activation switch
- 3 Main control board with outlet temperature sensor

SPECIFICATION

15.2.2 Mini-E 4-2 and Mini-E 6-2 ~ 220-240 V



- 1 Safety pressure cutout
- 2 Flow activation switch
- 3 Main control board with outlet temperature sensor



Material losses:

- ▶ In an installation with a permanent power supply, connect the power cable according to the designations on the socket terminals.

SPECIFICATION

15.3 Temperature rise table

Unit	Heating Capacity	Temp. rise above incoming water temp. (°F)								Temp. rise above incoming water temp. (°C)							
		GPM								l/min							
		0.32	0.42	0.48	0.53	0.69	0.85	1.06	1.14	1.2	1.6	1.8	2.0	2.6	3.2	4.0	4.3
Mini-E 2-1*	1.8 kW @ 110-120 V	39	-	-	-	-	-	-	-	22	-	-	-	-	-	-	-
Mini-E 2.5-1	2.4 kW @ 110-120 V	51	39	34	30	24	19	15	14	28	22	19	17	13	11	8	8
Mini-E 3-1	3.0 kW @ 110-120 V	64	49	43	38	30	24	19	18	36	27	24	21	17	13	11	10
Mini-E 3-3	3.0 kW @ 277 V	64	49	43	38	30	24	19	18	36	27	24	21	17	13	11	10
Mini-E 3.5-1	3.5 kW @ 110-120 V	75	57	50	45	35	28	22	21	42	32	28	25	19	16	12	12
Mini-E 4-2	2.6 kW @ 208 V	55	42	37	33	25	20	16	15	31	23	21	18	14	11	9	8
	3.5 kW @ 220-240 V	75	57	50	45	35	28	22	21	42	32	28	25	19	16	12	12
Mini-E 4-3	4.1 kW @ 277 V	87	67	58	53	41	33	26	25	48	37	32	29	23	18	14	14
Mini-E 6-2	4.3 kW @ 208 V	-	-	61	55	42	34	27	25	-	-	34	31	23	19	15	14
	5.7 kW @ 220-240 V	-	-	81	73	56	45	36	34	-	-	45	41	31	25	20	19
Mini-E 6-3	5.5 kW @ 277 V	117	89	78	71	54	44	35	33	65	49	43	39	30	24	19	18

*Mini-E 2-1 is internally restricted to 0.40 GPM (1.5 l/min)

Note: The output of the heating element depends on the supplied voltage. Fluctuating or varying voltages may cause the appliance to deliver hot water at different values than the ones in the above table.

SPECIFICATION

15.4 Data table

	Mini™-E 2-1	Mini™-E 2.5-1	Mini™-E 3-1	Mini™-E 3-3	Mini™-E 3.5-1	Mini™-E 4-2	Mini™-E 4-3	Mini™-E 6-2	Mini™-E 6-3		
	236011	236135	236010	206427	236136	236009	206428	236008	206429		
Electrical data											
Phase	1 - 50/60 Hz										
Voltage ¹	110-120 V	110-120 V	110-120 V	277 V	110-120 V	220-240 V	208 V	277 V	220-240 V	208 V	277 V
Wattage	1.8 kW	2.4 kW	3.0 kW	3.0 kW	3.5 kW	3.5 kW	2.6 kW	4.1 kW	5.7 kW	4.3 kW	5.5 kW
Amperage draw	15 A	20 A	25 A	10.83 A	29 A	14.6 A	12.6 A	14.8 A	23.75 A	20.6 A	19.86 A
Min. recommended circuit breaker size ²	15 A	20 A	25 A	15 A	30 A	15 A		15 A	25 A		20 A
Min. recommended wire size ³ (copper)	14 AWG	12 AWG	10 AWG	14 AWG	10 AWG	14 AWG		14 AWG	10 AWG		12 AWG
Uniform Energy Factor (UEF)	0.98	0.97	0.97	0.97	0.97	0.99		TBD	0.98		TBD
Recovery efficiency	98%										
Connections											
Water connection	¾" O.D. flex connector or ¾" compression fitting										
Application limits											
Max. permissible pressure	150 psi (10 bar)										
Tested to pressure	300 psi (20 bar)										
Max. inlet temperature for reheating	122 °F (50 °C)										
Temperature & Flow Values											
Max. permissible inlet temperature	140 °F (60 °C)										
Recommended inlet temp. range	41-77 °F (5-25 °C)										
Temperature setting range, DHW	86-122 °F (30-50 °C)										

* Mini-E 2-1 is internally restricted to 0.4 gpm (1.5 l/min).

¹ Nominal mains voltage is 110-120 V, 220-240 V, and 277 V.

² This is our recommendation for over-current protection sized at 100% of load. Check local codes for compliance if necessary. Tankless water heaters are considered a non-continuous load.

³ AWG copper must be used. Conductors should be sized to maintain a voltage drop of less than 3% under load.

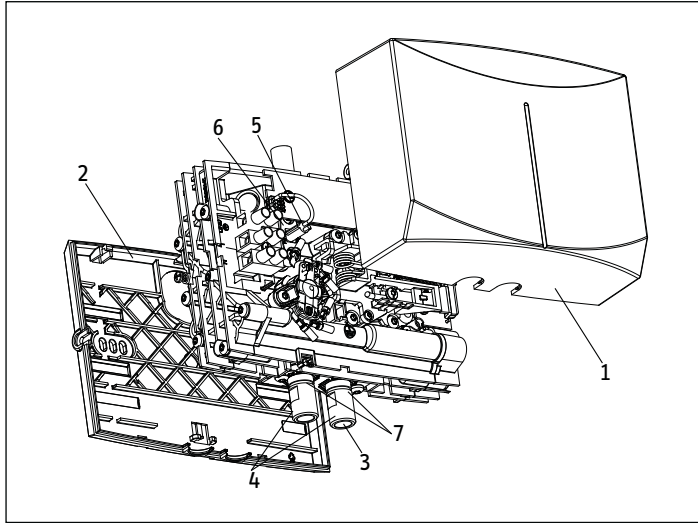
SPECIFICATION

	Mini™-E 2-1	Mini™-E 2.5-1	Mini™-E 3-1	Mini™-E 3-3	Mini™-E 3.5-1	Mini™-E 4-2	Mini™-E 4-3	Mini™-E 6-2	Mini™-E 6-3
Minimum water flow to activate unit	0.21 gpm (0.8 l/min)	0.3 gpm (1.15 l/min)	0.3 gpm (1.15 l/min)	0.3 gpm (1.15 l/min)	0.3 gpm (1.15 l/min)	0.3 gpm (1.15 l/min)	0.3 gpm (1.15 l/min)	0.48 gpm (1.8 l/min)	0.3 gpm (1.15 l/min)
Pressure drop at activation flow rate	7.2 psi (0.5 bar)	7.2 psi (0.5 bar)	7.2 psi (0.5 bar)	7.2 psi (0.5 bar)	7.2 psi (0.5 bar)	8.7 psi (0.6 bar)	7.2 psi (0.5 bar)	10.2 psi (0.7 bar)	7.2 psi (0.5 bar)
Nominal water volume	0.026 gal (0.1 l)								
Miscellaneous									
IP rating	IP25								
Insulating block	Plastic								
Heating element	Nichrome wire								
Color	White								
Included aerator(s) that must be installed	0.35 gpm (1.3 l/min)	0.5 gpm (1.9 l/min)	0.5 gpm (1.9 l/min)	0.5 gpm (1.9 l/min)	0.5 gpm (1.9 l/min)	0.5 gpm (1.9 l/min)	0.5 gpm (1.9 l/min)	2 x 0.5 gpm ⁴ (1.9 l/min) 1 x 1.0 gpm (3.8 l/min)	2 x 0.5 gpm ⁴ (1.9 l/min) 1 x 1.0 gpm (3.8 l/min)
Dimensions									
Height	6½" (165 mm)								
Width	7½" (190 mm)								
Depth	3¼" (82 mm)								
Weights									
Weight	3.3 lbs (1.5 kg)								
Electrical resistivity & conductivity									
Standard specification at	≤77°F (25°C)		>77°F (25°C)						
Minimum resistivity ρ ≥	1000 Ωcm		1300 Ωcm						
Maximum conductivity σ ≥	100 mS/m / 1000 μS/cm		76.9 mS/m / 769 μS/cm						

⁴ If plumbing Mini-E 6-2 or Mini-E 6-3 to a single sink, substitute the included single 1.0 gpm (3.8 l/min) aerator/flow reducer.

SPARE PARTS LIST

16. Spare parts list



No.	No. Spare part	Mini™-E 2-1 Mini™-E 2.5-1 Mini™-E 3-1 Mini™-E 3-3 Mini™-E 3.5-1 Mini™-E 4-2 Mini™-E 4-3 Mini™-E 6-2 Mini™-E 6-3
1	Front cover	271010
2	Rear housing	271011
3	Filter screen	272884
4	Plumbing connection	272777
5	NTC temperature sensor	295276
6	Sensor bracket	293818
7	O-rings	083043

17. Warranty

Subject to the terms and conditions set forth in this limited warranty, Stiebel Eltron, Inc. (the “Manufacturer”) hereby warrants to the original purchaser (the “Owner”) that each Tankless Electric Domestic Hot Water Heater (the “Heater”) shall not (i) leak due to defects in the Manufacturer’s materials or workmanship for a period of ten (10) years from the date of purchase or (ii) fail due to defects in the Manufacturer’s materials or workmanship for a period of three (3) years from the date of purchase. As Owner’s sole and exclusive remedy for breach of the above warranty, Manufacturer shall, at the Manufacturer’s discretion, send replacement parts for local repair; retrieve the unit for factory repair, or replace the defective Heater with a replacement unit with comparable operating features. Manufacturer’s maximum liability under all circumstances shall be limited to the Owner’s purchase price for the Heater.

This limited warranty shall be the exclusive warranty made by the Manufacturer and is made in lieu of all other warranties, express or implied, whether written or oral, including, but not limited to warranties of merchantability and fitness for a particular purpose. Manufacturer shall not be liable for incidental, consequential or contingent damages or expenses arising directly or indirectly from any defect in the Heater or the use of the Heater. Manufacturer shall not be liable for any water damage or other damage to property of Owner arising, directly or indirectly, from any defect in the Heater or the use of the Heater. Manufacturer alone is authorized to make all warranties on Manufacturer’s behalf and no statement, warranty or guarantee made by any other party shall be binding on Manufacturer.

Manufacturer shall not be liable for any damage whatsoever relating to or caused by:

1. any misuse or neglect of the Heater, any accident to the Heater, any alteration of the Heater, or any other unintended use;
2. acts of God and circumstances over which Manufacturer has no control;
3. installation of the Heater other than as directed by Manufacturer and other than in accordance with applicable building codes;
4. failure to maintain the Heater or to operate the Heater in accordance with the Manufacturer’s specifications;
5. operation of the Heater under fluctuating water pressure or in the event the Heater is supplied with non-potable water, for any duration;

6. improper installation and/or improper materials used by any installer and not relating to defects in parts or workmanship of Manufacturer;
7. moving the Heater from its original place of installation;
8. exposure to freezing conditions;
9. water quality issues such as corrosive water, hard water, and water contaminated with pollutants or additives;

Should owner wish to return the Heater to manufacturer for repair or replacement under this warranty, Owner must first secure written authorization from Manufacturer. Owner shall demonstrate proof of purchase, including a purchase date, and shall be responsible for all removal and transportation costs. If Owner cannot demonstrate a purchase date this warranty shall be limited to the period beginning from the date of manufacture stamped on the Heater. Manufacturer reserves the right to deny warranty coverage upon Manufacturer’s examination of Heater. This warranty is restricted to the Owner and cannot be assigned.

Some States and Provinces do not allow the exclusion or limitation of certain warranties. In such cases, the limitations set forth herein may not apply to the Owner. In such cases this warranty shall be limited to the shortest period and lowest damage amounts allowed by law. This warranty gives you specific legal rights and you may also have other rights which vary from State to State or Province to Province.

Owner shall be responsible for all labor and other charges incurred in the removal or repair of the Heater in the field. Please also note that the Heater must be installed in such a manner that if any leak does occur, the flow of water from any leak will not damage the area in which it is installed.

This Warranty is valid for U.S.A. & Canada only. Warranties may vary by country. Please consult your local Stiebel Eltron Representative for the Warranty for your country.

Environment and recycling

Please help us to protect the environment by disposing of the packaging in accordance with the national regulations for waste processing.

TABLA DE CONTENIDO

INFORMACIÓN ESPECIAL

OPERACIÓN

1. Información general	26
1.1 Instrucciones de seguridad	27
1.2 Otras marcas presentes en este documento	27
2. Seguridad	28
2.1 Uso previsto	28
2.2 Instrucciones generales de seguridad	28
3. Registre su producto	29
4. Descripción del dispositivo	29
5. Ajustes	30
6. Limpieza, cuidado y mantenimiento	30

INSTALACIÓN

7. Seguridad	31
7.1 Instrucciones generales de seguridad	31
8. Descripción del dispositivo	31
8.1 Envío estándar	31
8.2 Accesorios Opcionales	31

9. Preparativos	32
10. Instalación	32
10.1 Sitio de instalación	32
10.2 Configuración de instalación	33
10.3 Conexión eléctrica	35
11. Puesta en marcha	36
11.1 Puesta en marcha inicial	36
11.2 Manipulación del dispositivo	36
11.3 Nueva puesta en marcha	36
11.4 Ajustes	37
12. Apagado	38
13. Solución de problemas	38
14. Mantenimiento	40
15. Especificación	42
15.1 Dimensiones y conexiones	42
15.2 Diagrama de cableado	42
15.3 Aumento de temperatura del agua	44
15.4 Tabla de datos	45
16. Lista de piezas de repuesto	47
17. Garantía	48

INFORMACIÓN ESPECIAL

- Asegúrese de que el dispositivo puede ser separado de la fuente de alimentación por un interruptor de circuito que desconecta todos los polos.
- Si el cable de alimentación está dañado, debe ser sustituido por un contratista calificado y la reparación debe ser autorizada por Stiebel Eltron y debe realizarse con un recambio original.
- Fije el dispositivo como se describe en la sección “Instalación”, pág. 31.
- Observe la presión máxima permitida que se describe en la sección 15.4, “Tabla de datos”, pág. 45.
- Seque el dispositivo como se describe en la sección “Secado del dispositivo”, pág. 40.

OPERACIÓN

1. Información general

Los capítulos “Información especial” y “Funcionamiento” están destinados a usuarios e instaladores autorizados.

El capítulo “Instalación” está destinado solo a instaladores autorizados.



Nota:

Lea estas instrucciones con detenimiento antes de utilizar dispositivo y guárdelas para consultas futuras.

Entregue las instrucciones para un usuario nuevo si es necesario.

INFORMACIÓN GENERAL

1.1 Instrucciones de seguridad

1.1.1 Estructura de las indicaciones de seguridad



ADVERTENCIA: De tipo de peligro
Aquí aparecen las posibles consecuencias del desobedecimiento de las indicaciones de seguridad.
► Se indican las medidas necesarias para evitar estos peligros.

1.1.2 Símbolos, tipo de peligro

Símbolo	Tipo de peligro
	Lesión
	Electrocución
	Quemaduras o escaldamiento

1.1.3 Palabras clave

PALABRA CLAVE	Descripción
PELIGRO	El desobedecimiento de esta información conlleva graves lesiones o la muerte
ADVERTENCIA	El desobedecimiento de esta información puede conllevar graves lesiones o la muerte
ATENCIÓN	El desobedecimiento de esta información puede conllevar lesiones de mediana gravedad o lesiones leves

1.2 Otras marcas presentes en este documento



Indicación:

La indicación está limitada por líneas horizontales sobre y bajo el texto. La información general se señala mediante el símbolo que se muestra a la izquierda.

Símbolo	
	Daños en el aparato y al medio ambiente
	Eliminación del aparato

2. Seguridad

2.1 Uso previsto

Este dispositivo está diseñado para uso residencial. Puede ser utilizado de forma segura por personas inexpertas. El dispositivo también se puede utilizar en un entorno no residencial, como por ejemplo, en una pequeña empresa, siempre que sea utilizado del mismo modo.

Este dispositivo es adecuado para calentar agua caliente doméstica (ACD) o para calentar agua pre-calentada. El dispositivo está diseñado para un único fregadero.



Nota:

Los modelos Mini-E 6-2 y Mini-E 6-3 son los únicos modelos Mini-E diseñados para suministrar agua caliente a uno o dos lavamanos. La conexión de cualquier otro modelo Mini-E a más de un lavamanos se considerará inadecuada.

Cualquier uso fuera de los descritos se considerará un uso inapropiado del dispositivo. El seguimiento de estas instrucciones y de las instrucciones de cualquier accesorio usado también es parte de la correcta utilización del dispositivo.

2.2 Instrucciones generales de seguridad



PELIGRO: Quemaduras

Durante su uso, el grifo puede alcanzar temperaturas superiores a 122 °F (50 °C). Existe el riesgo de sufrir quemaduras en las temperaturas de salida de más de 109 °F (43 °C).



PELIGRO: Electrocutación

Todos los cables de alimentación dañados deben ser reemplazados por un electricista cualificado para evitar los potenciales daños debidos a una instalación incorrecta.



PRECAUCIÓN: NO INSTALE EL CALENTADOR DENTRO DE UNA MAMPARA DE BAÑO O MAMPARA DE DUCHA NI LO CONECTE A UN ABLANDADOR DE AGUA DE SAL REGENERANTE O A UN SUMINISTRO DE AGUA SALADA.

PARA USO EN UN CIRCUITO DE RAMA INDIVIDUAL SOLAMENTE

PRECAUCIÓN: CONECTAR SOLO A UN CIRCUITO PROTEGIDO POR UN INTERRUPTOR DIFERENCIAL CLASE A USE SÓLO CONDUCTORES DE COBRE

USE EL CONDUCTOR DE UNIÓN ADECUADO SEGÚN EL CÓDIGO ELÉCTRICO CANADIENSE, PARTE I

REGISTRE SU PRODUCTO



Pérdidas materiales:

Proteja el dispositivo y el grifo contra la congelación.



Pérdidas materiales:

Utilice únicamente el aireador proporcionado. Prevenga la acumulación de cal en las salidas de derivación (Vea la sección 6, “Limpieza, cuidado y mantenimiento”, pág. 3029)

3. Registre su producto



Nota:

Debe registrar este producto en un plazo de 90 días desde la compra a través de nuestra página web para activar cualquier garantía estándar o para optar a la ampliación de la garantía. Visite nuestra sitio web www.stiebel-eltron-usa.com y haga clic en “Registre su producto”.

Antes de comenzar el proceso de registro, le sugerimos que recopile la siguiente información que necesitará:

Modelo, ejemplo: Mini-E 6-2

Número que se indica después de “Nr.”

Lugar de compra

Fecha de compra

Nombre y apellido

Dirección de email

Dirección postal

Número de teléfono

Fecha de instalación

Si tiene alguna pregunta en relación con el proceso de registro o con las opciones de garantía, por favor, póngase en contacto directamente con Stiebel Eltron USA en el número de teléfono 800.582.8423.

4. Descripción del dispositivo

Los modelos Mini-E son calentadores de agua eléctricos sin tanque con control termostático de temperatura acorde a código, regulando la temperatura de salida electrónicamente. Dentro de su límite de salida, entrega una temperatura de agua constante, independientemente de la temperatura de entrada.

A este dispositivo se le ha establecido de fábrica una temperatura de 100 °F (38 °C). Una vez que se ha alcanzado esta temperatura, el circuito de control principal la mantiene automáticamente. La salida

se hace coincidir con la temperatura programada para evitar que se exceda esta temperatura.

El dispositivo calienta el agua directamente en el punto de extracción, tan pronto como se abre el grifo. Los tramos de tubería cortos aseguran que las pérdidas de energía y agua sean mínimas.

La temperatura de salida del ACD depende de la temperatura del agua fría, de la capacidad del calentador de agua y del caudal.

El sistema de Advanced Direct Coil™ es adecuado para zonas de aguas duras y blandas. Este sistema de calefacción tiene una baja susceptibilidad a la acumulación de cal. El sistema de calentamiento asegura el agua caliente rápida y eficaz proporcionada en el punto de uso.

Su contratista calificado puede ajustar la temperatura máxima (Vea la sección 11.4, “Ajustes”, pág. 37).

Debe utilizar el aireador proporcionado con el dispositivo.

Si hay alguna(s) pregunta(s) sobre la instalación, uso o funcionamiento de este calentador de agua, o si se requieren copias adicionales de este manual, favor llamar a nuestro teléfono de servicio 800.582.8423 (solo en los EE.UU. y Canadá).

Si Ud. está ubicado afuera de los EE.UU. y Canadá favor llamarnos al teléfono ++ 413.247.3380 y nosotros les dirigimos al centro de servicio Stiebel Eltron autorizado más cercano.

5. Ajustes

El sistema de calefacción del dispositivo se enciende automáticamente tan pronto como se abre el grifo. El agua se calienta. La temperatura del agua se puede ajustar en el grifo:

Aumentando la temperatura

- ▶ Reducir la velocidad de flujo en el grifo.

Reducir la temperatura

- ▶ Abrir más el grifo o añadir más agua fría.

Tras una interrupción del suministro de agua

Vea la sección 11.3, “Nueva puesta en marcha”, pág. 36.13

6. Limpieza, cuidado y mantenimiento

- ▶ Nunca use productos de limpieza abrasivos o corrosivos. Un paño húmedo es suficiente para limpiar el exterior del dispositivo.
- ▶ Compruebe los grifos y válvulas con regularidad. Los depósitos calcáreos se pueden eliminar con los agentes de descalcificación disponibles en el mercado.
- ▶ Haga que la seguridad eléctrica del dispositivo sea verificada periódicamente por un electricista.

- ▶ Regularmente descalcifique o reemplace el aireador proporcionado (Vea la sección 8.2, “Accesorios Opcionales”, pág. 3130).⁹

INSTALACIÓN

7. Seguridad

Sólo un contratista calificado debe llevar a cabo la instalación, puesta en servicio, mantenimiento y reparación del dispositivo.

7.1 Instrucciones generales de seguridad

Garantizamos la función sin problemas y fiabilidad operativa sólo si se utilizan los accesorios originales y piezas de repuesto destinados al dispositivo.



Pérdidas materiales:

Observar la máxima temperatura de entrada admisible. Las altas temperaturas pueden dañar el dispositivo. Puede limitar la temperatura de entrada por medio de una válvula termostática central (Vea la sección 8.2, “Accesorios Opcionales”, pág. 3130).



Nota:

Observe todos los códigos reglamentos nacionales, estatales y locales aplicables, y las instrucciones.

8. Descripción del dispositivo

8.1 Envío estándar

Con el dispositivo se entregan los siguientes accesorios:

- Tamiz del filtro para la entrada de agua fría
- Aireador
- Cable de energía

8.2 Accesorios Opcionales

Mini-E TLC - Válvula de mezcla termostática

Para el cumplimiento de ASSE 1070-2004, utilice el kit opcional Mini-E TLC disponible en Stiebel Eltron.

Visite www.stiebel-eltron-usa.com para más información.

PREPARATIVOS

9. Preparativos

- ▶ Lave la tubería de agua a fondo.

Instalación de agua

Una válvula de seguridad no es requerida por Stiebel Eltron, pero sí puede ser requerida por la regulación local sobre plomería. Compruebe la normativa antes de la instalación.



Nota:

Montar el aireador suministrado proporciona un flujo óptimo del agua.

10. Instalación

10.1 Sitio de instalación

No lleve a cabo la instalación en un área que puede estar expuesta a temperaturas inferiores a 41 °F (5 °C).

Asegurar el acceso a los tornillos de apertura en ambos lados de la cubierta de manera que se pueden quitar fácilmente de ser necesario.

El dispositivo es adecuado para una instalación de bajo mesada o sobre mesada. Se puede instalar con conexiones de agua en la parte superior o en la parte inferior.



PELIGRO: Electrocutación

El tornillo de ajuste para la temperatura es “directo”, y la protección IP25 sólo se da cuando se instala el panel trasero del dispositivo está montado.



PRECAUCIÓN: NO INSTALE EL CALENTADOR DENTRO DE UNA MAMPARA DE BAÑO O MAMPARA DE DUCHA NI LO CONECTE A UN ABLANDADOR DE AGUA DE SAL REGENERANTE O A UN SUMINISTRO DE AGUA SALADA.

PARA USO EN UN CIRCUITO DE RAMA INDIVIDUAL SOLAMENTE

PRECAUCIÓN: CONECTAR SOLO A UN CIRCUITO PROTEGIDO POR UN INTERRUPTOR DIFERENCIAL CLASE A

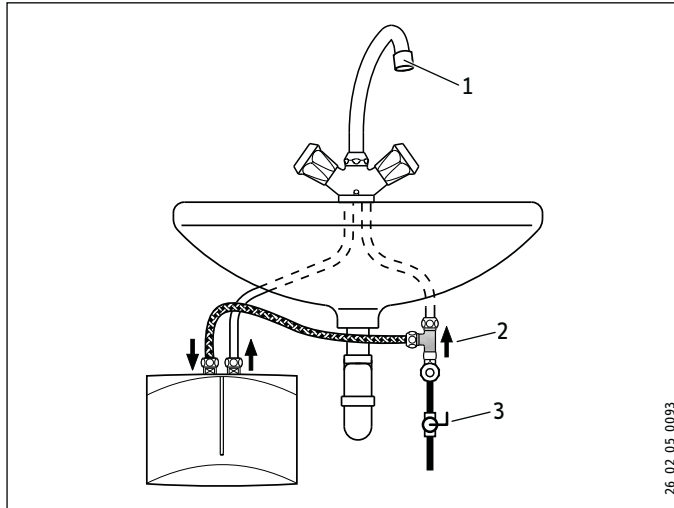
USE SÓLO CONDUCTORES DE COBRE

USE EL CONDUCTOR DE UNIÓN ADECUADO SEGÚN EL CÓDIGO ELÉCTRICO CANADIENSE, PARTE I

INSTALACIÓN

10.2 Configuración de instalación

10.2.1 Instalación típica



- 1 Aireador
- 2 Tee
- 3 Válvula de cierre

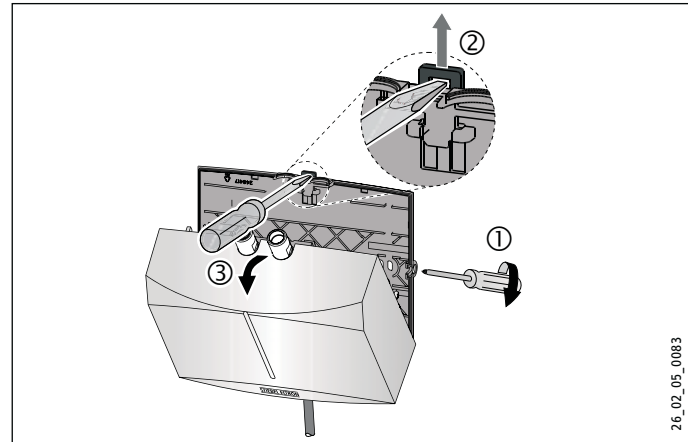
26_02_05_0093

10.2.2 Instalación del dispositivo



Nota:

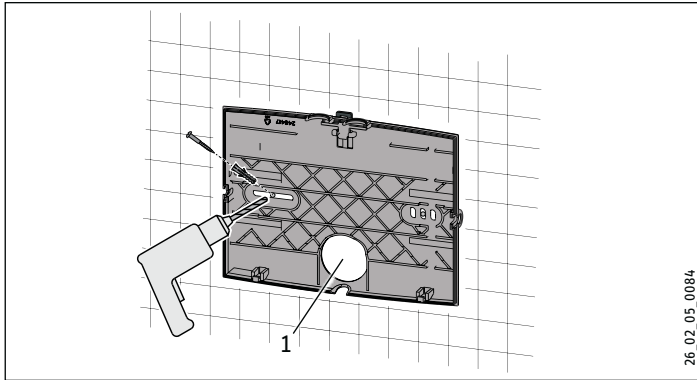
- Monte el dispositivo en la pared.
La pared debe tener una capacidad de carga suficiente para el peso del dispositivo.



- 1 Afloje los tornillos de la tapa dos vueltas.
- 2 Deshaga el cierre de presión con un destornillador.
- 3 Retire la cubierta del dispositivo con el calentador hacia adelante.

26_02_05_0083

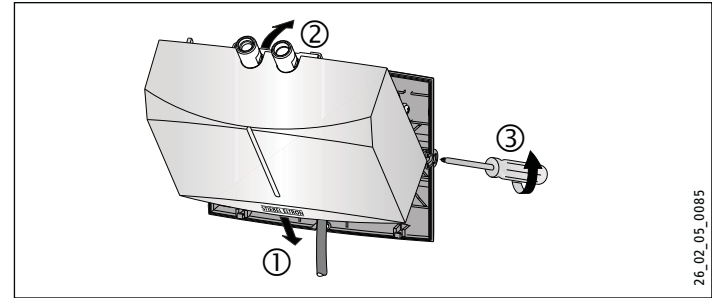
INSTALACIÓN



26_02_05_0084

1 Orificios para el cableado

- ▶ Con unas pinzas, rompa el knock-out para el cable de alimentación en la cubierta del dispositivo. Corrija los contornos con una lima si es necesario.
- ▶ Utilice el panel trasero del dispositivo como plantilla para taladrar.
- ▶ Fije el panel trasero del dispositivo a la pared con tacos y tornillos adecuados.



26_02_05_0085

- 1 Gancho en la cubierta del dispositivo
- 2 Ajuste en el calentador en su lugar con el cierre de presión.
- 3 Fije la cubierta del dispositivo con los tornillos de la cubierta de cierre.

Instalación de la grifería

- ▶ Instalar las conexiones a la grifería. Para ello, observe las instrucciones de uso y montaje de la grifería.



Pérdidas materiales:

- ▶ Al realizar las conexiones, equilibre el par de torsión en el dispositivo con una llave de 14 mm.

10.3 Conexión eléctrica



PELIGRO: Electrocción

Lleve a cabo todas las conexiones eléctricas y el trabajo de instalación de acuerdo con la normativa nacional, estatal y local.



PELIGRO: Electrocción

Asegúrese de que el dispositivo está conectado a tierra. Asegúrese de que el dispositivo puede ser separado de la fuente de alimentación por un interruptor de circuito que desconecta todos los polos.



PELIGRO: Electrocción

Los dispositivos se entregan con un cable de alimentación para ser conectados a una fuente de alimentación permanente. Asegúrese de que el calibre de cable adecuado se instala con el dispositivo de acuerdo con el tamaño mínimo recomendado de alambre en la sección 15.4, “Tabla de datos”, pág. 45.



Pérdidas materiales:

Al realizar la conexión a una toma de corriente estándar, asegúrese de que la toma sea de libre acceso para desconectar fácilmente ante un problema.



Pérdidas materiales:

Tomar nota de la etiqueta del producto. El voltaje especificado debe coincidir con la tensión de red.

10.3.1 Alambrado

Para las unidades de 120 V o 277 V, el cable marrón del cable flexible debe estar conectado a L (carga / vida), el cable azul a N (neutro) y el cable verde / amarillo a tierra GND.

Para las unidades de 208/240 V, el cable marrón del cable flexible debe estar conectado a L1, el cable azul a L2 y el cable verde / amarillo a tierra GND.

- Si el dispositivo va a ser cableado, conecte el cable de alimentación como se muestra en el diagrama de cableado (Vea la sección 15.2, “Diagrama de cableado”, pág. 42).19

11. Puesta en marcha

11.1 Puesta en marcha inicial



- ▶ Antes de activar la fuente de alimentación, llene primero el dispositivo con agua para evitar disparar en seco el elemento de calentamiento.
- ▶ Compruebe que no haya fugas.
- ▶ Activar la fuente de alimentación.
- ▶ Abra el grifo.
- ▶ Compruebe el buen funcionamiento del dispositivo.

11.2 Manipulación del dispositivo

- ▶ Explique el funcionamiento del dispositivo a los usuarios y ayúdelos a que se familiaricen con su uso.
- ▶ Indique a los usuarios los peligros potenciales, especialmente el riesgo de quemaduras.
- ▶ Entrégueles las instrucciones.

11.3 Nueva puesta en marcha



Pérdidas materiales:

Después de una interrupción del suministro de agua, vuelva a poner el dispositivo llevando a cabo los siguientes pasos con el fin de evitar daños irreparables en el sistema de Advanced Direct Coil™.

- ▶ Desactive la fuente de alimentación.
- ▶ Siga los pasos en Vea la sección 11.1, “Puesta en marcha inicial”, pág. 36.

PUESTA EN MARCHA

11.4 Ajustes

Se puede modificar el ajuste de temperatura máxima con el potenciómetro que se encuentra en el interior del dispositivo.



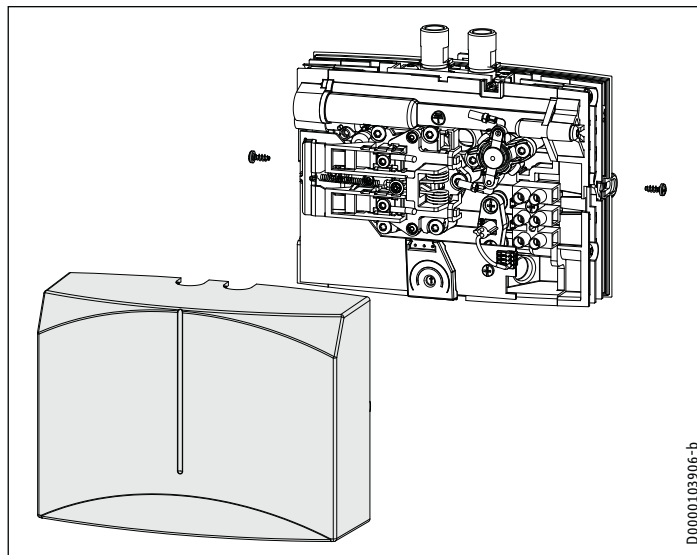
PELIGRO: Electrocutación

La temperatura sólo se puede ajustar si el dispositivo está aislado de la fuente de alimentación.



PELIGRO: Electrocutación

El tornillo de ajuste para ajustar la temperatura es directo cuando la fuente de alimentación está activa.

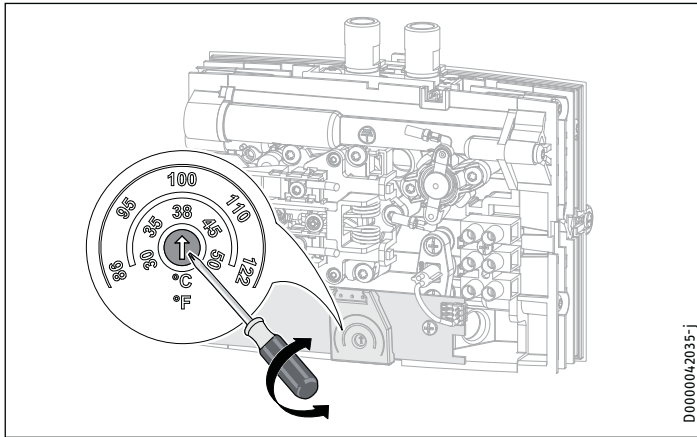


► Retire la cubierta del dispositivo.

APAGADO

Ajuste de la temperatura máxima

Ajuste de fábrica: 100 °F (38 °C)



No ajuste la temperatura a menos que la fuente de alimentación se encuentre desactivado o desconectado.

- ▶ Con un destornillador plano, ajuste el potenciómetro a la temperatura máxima requerida.
- ▶ Volver a colocar la cubierta del dispositivo.

12. Apagado

- ▶ Apague el interruptor de circuito conectado al dispositivo.
- ▶ Secado el dispositivo (Vea “Secado del dispositivo” pág. 40).

13. Solución de problemas

Problema	Causa	Solución
El dispositivo no arranca a pesar de que el grifo está completamente abierto.	No hay tensión en el dispositivo	Compruebe los fusibles y el cortacircuitos.
	La velocidad de flujo es demasiado baja.	Aumentar la tasa de flujo. Limpie el aireador instalado en el grifo.
	La pantalla de filtro en la tubería de agua fría está bloqueada.	Limpie el filtro después de cortar la línea de entrada de agua fría.
	El calentador es defectuoso.	Compruebe la resistencia del sistema de calefacción y reemplace el dispositivo de ser necesario. Contacte con Stiebel Eltron para solicitar ayuda adicional.
	El recorte de presión de seguridad ha activado.	Solucionar el motivo de la falla. Aísle el dispositivo de la fuente de alimentación y presurice la línea de agua. Restablezca el corte de presión de seguridad.

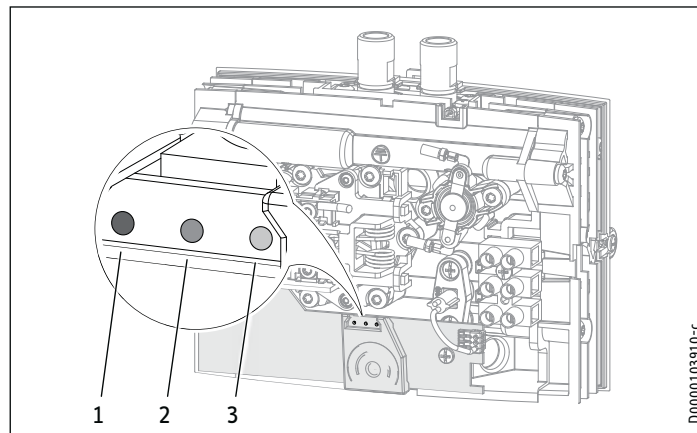
SOLUCIÓN DE PROBLEMAS

Problema	Causa	Solución
No se alcanza la temperatura requerida.	La temperatura máxima fijada en el interior del dispositivo es demasiado baja.	Haga que un instalador calificado ajuste la temperatura máxima.
	El dispositivo está funcionando más allá de su límite de salida.	Reducir la velocidad de flujo.

Si no puede solucionar el problema, notifique a su contratista calificado. Para facilitar y agilizar su solicitud, proporcione el número de serie de la placa de características (000000-0000-000000).

Mini-E Nr.: 000000-0000-000000

Indicadores LED



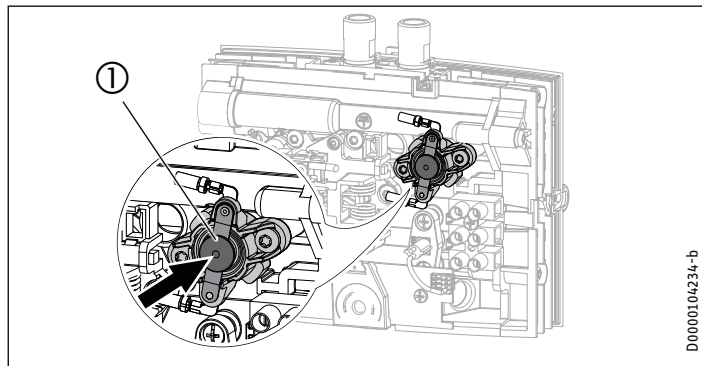
- 1 Se ilumina en rojo en caso de fallo
- 2 Se ilumina en amarillo durante la operación de calentamiento o parpadea en amarillo cuando la unidad está calentando a la capacidad
- 3 Parpadea en verde si el circuito de control principal está recibiendo electricidad

El corte de presión de seguridad



PELIGRO: Electrocción

No intente restablecer el corte de presión de seguridad de este calentador de agua a menos que la unidad haya sido completamente desconectada de los interruptores automáticos.



1 Corte de presión de seguridad para Mini-E

Si el corte de presión de seguridad salta constantemente, puede haber un problema con el suministro de agua caliente o con el dispositivo. Póngase en contacto con el contratista de instalación para poder solucionar los problemas del dispositivo.

14. Mantenimiento



PELIGRO: Electrocción

Antes de cualquier intervención del dispositivo, desconecte la fuente de alimentación.

Secado del dispositivo



PELIGRO: Quemaduras

Puede salir agua caliente durante el proceso de secado.

Si el dispositivo tiene que ser secado para mantenimiento o para proteger el dispositivo cuando exista riesgo de helada, proceda de la siguiente manera:

- ▶ Cierre la válvula de cierre en la línea de entrada de agua fría.
- ▶ Abra la válvula de extracción.
- ▶ Deshaga las conexiones de agua en el dispositivo.

MANTENIMIENTO



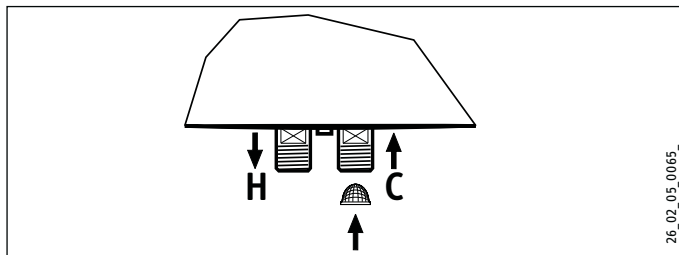
Nota:

La pantalla de filtro debe controlarse periódicamente en busca de residuos e incrustaciones, y limpiarse o ser sustituida si es necesario.

Apague siempre la corriente y el agua a la unidad antes de retirar la malla del filtro.

Limpieza de la pantalla de filtro

Puede limpiar la pantalla de filtro después de la eliminación de la conexión al suministro de agua fría.



Comprobación del conductor de tierra

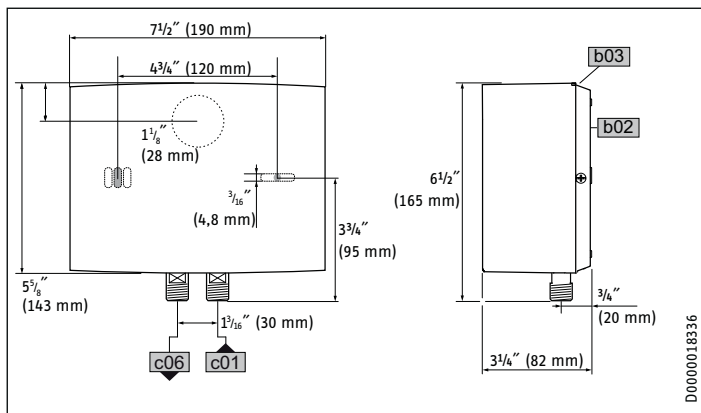
- Compruebe el conductor de tierra del cable de conexión del dispositivo.

Almacenamiento del dispositivo

- Guarde el dispositivo desarmado en una habitación libre del riesgo de helada, puesto que residuos del agua pueden quedar en el interior del dispositivo y causar daños al congelarse.

15. Especificación

15.1 Dimensiones y conexiones



Mini™-E

b02 Entrada del cable eléctrico 1

b03 Entrada del cable eléctrico 2

c01 Entrada de agua fría

3/8" G macho*

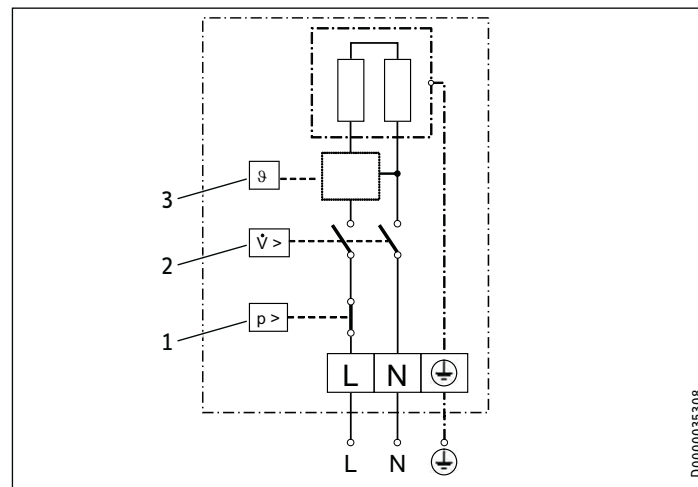
c06 Salida de ACD

3/8" G macho*

*Este es un hilo paralelo para la conexión a un conector flexible de 3/8" D.O. o a un accesorio de compresión de 3/8".

15.2 Diagrama de cableado

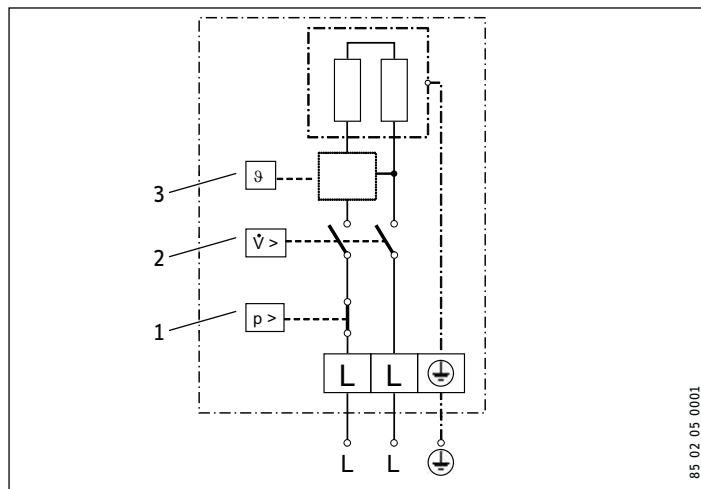
15.2.1 Mini-E 2-1, Mini-E 2.5-1, Mini-E 3-1, Mini-E 3.5-1 ~ 110-120 V; Mini-E 3-3, Mini-E 4-3, Mini-E 6-3 ~ 277 V



- 1 Corte de presión de seguridad
- 2 Interruptor de activación de flujo
- 3 Tablero de control principal con sensor de temperatura de salida

ESPECIFICACIÓN

15.2.2 Mini-E 4-2 & Mini-E 6-2 ~ 220-240 V



- 1 Corte de presión de seguridad
- 2 Interruptor de activación de flujo
- 3 Tablero de control principal con sensor de temperatura de salida



Pérdidas materiales:

- ▶ En una instalación con una fuente de alimentación permanente, conecte el cable de alimentación de acuerdo con las designaciones de los bornes de la toma.

ESPECIFICACIÓN

15.3 Aumento de temperatura del agua

Aparato	Potencia de funcionamiento	Aumento de la temperatura (°F)								Aumento de la temperatura (°C)							
		GPM								l/min							
		0.32	0.42	0.48	0.53	0.69	0.85	1.06	1.14	1.2	1.6	1.8	2.0	2.6	3.2	4.0	4.3
Mini-E 2-1*	1.8 kW @ 110-120 V	39	-	-	-	-	-	-	-	22	-	-	-	-	-	-	-
Mini-E 2.5-1	2.4 kW @ 110-120 V	51	39	34	30	24	19	15	14	28	22	19	17	13	11	8	8
Mini-E 3-1	3.0 kW @ 110-120 V	64	49	43	38	30	24	19	18	36	27	24	21	17	13	11	10
Mini-E 3-3	3.0 kW @ 277 V	64	49	43	38	30	24	19	18	36	27	24	21	17	13	11	10
Mini-E 3.5-1	3.5 kW @ 110-120 V	75	57	50	45	35	28	22	21	42	32	28	25	19	16	12	12
Mini-E 4-2	2.6 kW @ 208 V	55	42	37	33	25	20	16	15	31	23	21	18	14	11	9	8
	3.5 kW @ 220-240 V	75	57	50	45	35	28	22	21	42	32	28	25	19	16	12	12
Mini-E 4-3	4.1 kW @ 277 V	87	67	58	53	41	33	26	25	48	37	32	29	23	18	14	14
Mini-E 6-2	4.3 kW @ 208 V	-	-	61	55	42	34	27	25	-	-	34	31	23	19	15	14
	5.7 kW @ 220-240 V	-	-	81	73	56	45	36	34	-	-	45	41	31	25	20	19
Mini-E 6-3	5.5 kW @ 277 V	117	89	78	71	54	44	35	33	65	49	43	39	30	24	19	18

*Mini-E 2-1 se limita internamente a 0.40 GPM (1.5 l/min)

Nota: La salida del elemento de calentamiento depende de la tensión suministrada. Voltajes fluctuantes o diferentes pueden causar que el dispositivo entregue agua caliente a diferentes valores de los de la tabla anterior.

ESPECIFICACIÓN

15.4 Tabla de datos

	Mini™-E 2-1	Mini™-E 2.5-1	Mini™-E 3-1	Mini™-E 3-3	Mini™-E 3.5-1	Mini™-E 4-2	Mini™-E 4-3	Mini™-E 6-2	Mini™-E 6-3
	236011	236135	236010	206427	236136	236009	206428	236008	206429
Especificaciones eléctricas									
Fase	1 - 50/60 Hz								
Voltaje ¹	110-120 V	110-120 V	110-120 V	277 V	110-120 V	220-240 V 208 V	277 V	220-240 V 208 V	277 V
Potencia de funcionamiento	1.8 kW	2.4 kW	3.0 kW	3.0 kW	3.5 kW	3.5 kW 2.6 kW	4.1 kW	5.7 kW 4.3 kW	5.5 kW
Corriente nominal	15 A	20 A	25 A	10.83 A	29 A	14.6 A 12.6 A	14.8 A	23.75 A 20.6 A	19.86 A
Interruptor auto. # requerido ²	15 A	20 A	25 A	15 A	30 A	15 A	15 A	25 A	20 A
Calibre de alambre, cobre ³	14 AWG	12 AWG	10 AWG	14 AWG	10 AWG	14 AWG	14 AWG	10 AWG	12 AWG
Factor de energía uniforme (UEF)	0.98	0.97	0.97	0.97	0.97	0.99	por determinar	0.98	por determinar
Eficacia de recuperación	98%								
Conexión									
Conexión de agua	Un hilo paralelo para la conexión a un conector flexible de 3/8" D.O. o a un accesorio de compresión de 3/8"								
Límites de aplicación									
Presión de trabajo, máx.	150 psi (10 bar)								
Probado a presión	300 psi (20 bar)								
Temperatura de entrada recomendada	122 °F (50 °C)								
Valores									
Temperatura de admisión máxima admisible	140 °F (60 °C)								
Rango de temperatura de entrada recomendado	41-77 °F (5-25 °C)								

* Mini-E 2-1 está limitado internamente a 0.4 gpm (1.5 l/min).

¹ El voltaje nominal de la red es 110-120 V, 220-240 V y 277 V.

² Esta es nuestra recomendación por sobre la protección actual de tamaño al 100% de la carga. Compruebe normativa local si es necesario.

Los calentadores sin tanque eléctricos son considerados una carga no continua.

³ Debe usarse cobre. Los conductores deben ser dimensionados para mantener una caída de tensión de menos del 3% en situación de carga.

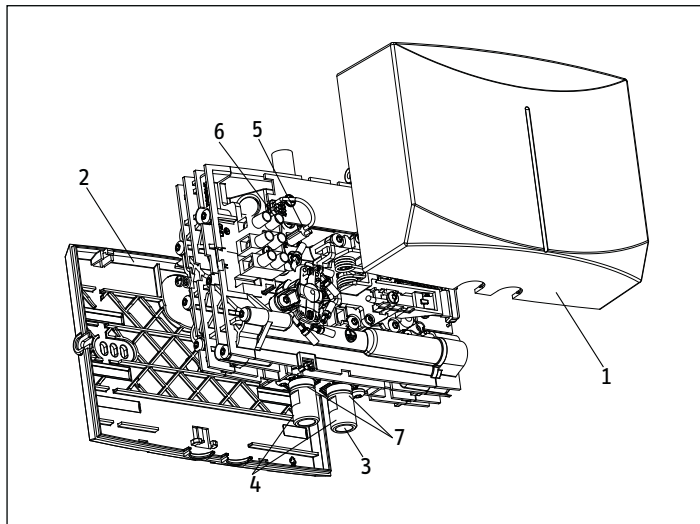
ESPECIFICACIÓN

	Mini™-E 2-1	Mini™-E 2.5-1	Mini™-E 3-1	Mini™-E 3-3	Mini™-E 3.5-1	Mini™-E 4-2	Mini™-E 4-3	Mini™-E 6-2	Mini™-E 6-3
Rango de temperatura	86-122 °F (30-50 °C)								
Flujo mínimo de agua para activar la unidad	0.21 gpm (0.8 l/min)	0.3 gpm (1.15 l/min)	0.3 gpm (1.15 l/min)	0.3 gpm (1.15 l/min)	0.3 gpm (1.15 l/min)	0.3 gpm (1.15 l/min)	0.3 gpm (1.15 l/min)	0.48 gpm (1.8 l/min)	0.3 gpm (1.15 l/min)
Caudal para pérdida de presión	7.2 psi (0.5 bar)	7.2 psi (0.5 bar)	7.2 psi (0.5 bar)	7.2 psi (0.5 bar)	7.2 psi (0.5 bar)	8.7 psi (0.6 bar)	7.2 psi (0.5 bar)	10.2 psi (0.7 bar)	7.2 psi (0.5 bar)
Volumen nominal de agua	0.026 gal (0.1 l)								
Diverso									
Sección transversal recomendada	IP25								
Bloque aislante	Plástico								
Sistema calefactor	Cable de Nicromo								
Color	Blanco								
Incluye aireador(es) que deben ser instalados	0.35 gpm (1.3 l/min)	0.5 gpm (1.9 l/min)	0.5 gpm (1.9 l/min)	0.5 gpm (1.9 l/min)	0.5 gpm (1.9 l/min)	0.5 gpm (1.9 l/min)	0.5 gpm (1.9 l/min)	2 x 0.5 gpm ⁴ (1.9 l/min) 1 x 1.0 gpm (3.8 l/min)	2 x 0.5 gpm ⁴ (1.9 l/min) 1 x 1.0 gpm (3.8 l/min)
Dimensiones									
Altura	6½ pulg. (165 mm)								
Ancho	7½ pulg. (190 mm)								
Profundidad	3¼ pulg. (82 mm)								
Peso									
Peso	3.3 lbs (1.5 kg)								
Resistividad y conductividad eléctrica									
Especificación estándar a	≤77 °F (25 °C)		>77 °F (25 °C)						
Resistividad mínima $\rho \geq$	1000 Ω cm		1300 Ω cm						
Conductividad máxima $\sigma \geq$	100 mS/m / 1000 μ S/cm		76.9 mS/m / 769 μ S/cm						

⁴ Para plomería de un solo lavabo, reemplace con un aireador/reductor de 1.0 gpm (3.8 l/min).

LISTA DE PIEZAS DE REPUESTO

16. Lista de piezas de repuesto



#	Piezas de repuesto	Mini™-E 2-1 Mini™-E 2.5-1 Mini™-E 3-1 Mini™-E 3-3 Mini™-E 3.5-1 Mini™-E 4-2 Mini™-E 4-3 Mini™-E 6-2 Mini™-E 6-3
1	Cubierta frontal	271010
2	Carcasa posterior	271011
3	Rejilla de filtro	272884
4	Conexión de plomería	272777
5	Sensor de temperatura NTC	295276
6	Soporte del sensor	293818
7	Juntas tóricas	083043

17. Garantía

Sujeto a los términos y condiciones expresados en esta Garantía Limitada de por vida, Stiebel Eltron, Inc. (el "Fabricante") por la presente asegura al comprador original (el "Propietario") que cada calentador de agua eléctrico de calor sin tanque (el "Calentador") no deberá (i) tener fugas debido a defectos en los materiales del fabricante o mano de obra por un período de diez (10) años desde la fecha de compra o (ii) falla debido a defectos en los materiales o mano de obra del fabricante por un período de tres (3) años a partir de la fecha de compra. Como única y exclusiva solución para el Propietario en cuanto a la presente garantía, el Fabricante, a discreción del Fabricante, reparará en fábrica o reemplazará el Calentador defectuoso con una unidad o repuesto de reemplazo con características de funcionamiento comparables. La máxima responsabilidad del Fabricante en cualquier circunstancia se limitará al precio de compra del Calentador que pagó el Propietario.

Esta garantía limitada será la garantía exclusiva que el Fabricante otorga, y reemplaza todas las demás garantías, expresas o implícitas, escritas u orales, que incluyen pero no se limitan a las garantías de comerciabilidad o adecuación para un fin determinado. El Fabricante no será responsable de daños incidentales, indirectos o contingentes o gastos que surjan, de manera directa o indirecta, de cualquier defecto del Calentador o del uso del mismo. El Fabricante no será responsable por daños ocasionados por el agua o cualquier otro daño a la propiedad del Propietario que surja, de manera directa o indirecta, de cualquier defecto del Calentador o del uso del mismo. Solo el Fabricante está autorizado a conceder todas las garantías en representación del Fabricante, y ninguna declaración o garantía realizada por cualquier otra parte será vinculante para el Fabricante.

El Fabricante no será responsable de ningún daño relacionado o causado por:

1. cualquier uso indebido o falta de cuidado del Calentador, cualquier accidente que afecte al Calentador, cualquier alteración al Calentador, o cualquier otro uso incorrecto;
2. casos fortuitos o circunstancias sobre las cuales el Fabricante no tiene control;
3. instalación del Calentador que se desvíe de las directivas del Fabricante o no observe los códigos de construcción pertinentes;
4. negligencia en cuanto a mantener el Calentador u operar el Calentador según las especificaciones del Fabricante;
5. hacer funcionar el Calentador en condiciones de presión de agua fluctuante o en caso de que el Calentador se alimente de agua no potable durante un período de cualquier duración;

6. instalación defectuosa y/o uso de materiales inapropiados por parte de cualquier instalador y que no se relacione con defectos en los repuestos o la mano de obra del Fabricante;
7. mover el Calentador de su lugar original de instalación;
8. exposición a condiciones de congelamiento;
9. los problemas de calidad del agua, como el agua corrosiva, el agua dura y agua contaminada con contaminantes o aditivos;

Si el Propietario desea devolver el Calentador al Fabricante para su reparación o reemplazo bajo esta garantía, el Propietario debe obtener primero la autorización por escrito del Fabricante. El Propietario deberá presentar una prueba de compra, incluida la fecha de compra, y será responsable de los costos de desinstalación y transporte. Si el Propietario no puede demostrar una fecha de compra, esta garantía se limitará al período que comienza a partir de la fecha de compra impresa en el Calentador. El Fabricante se reserva el derecho de negar la cobertura de esta garantía después de examinar el Calentador. Esta garantía se limita al Propietario y es intransferible.

Algunos Estados y Provincias no permiten la exclusión o limitación de ciertas Garantías. En dichos casos, las limitaciones aquí expresadas pueden no aplicarse al Propietario. En dichos casos esta Garantía se limitará al período más corto y las menores cifras de daños permitidas por ley. Esta Garantía le da derechos legales específicos y puede que usted tenga otros derechos que variarán de Estado a Estado y de Provincia a Provincia.

El Propietario será responsable de todos los costos de mano de obra y otros cargos incurridos al retirar o reparar el Calentador en el lugar de instalación. Por favor obsérvese que el Calentador debe instalarse de tal manera que, en caso de pérdida, el flujo de agua de la pérdida no dañe el lugar en que está instalado.

Esta Garantía solo es válida en Estados Unidos y Canadá. Las garantías pueden variar de un país a otro. Consulte a su representante de Stiebel Eltron local para conocer la Garantía correspondiente a su país.

Medioambiente y reciclaje

Por favor ayúdenos a proteger el medioambiente eliminando el embalaje en concordancia con la normativa nacional para el tratamiento de residuos.

TABLE DES MATIÈRES

RENSEIGNEMENTS SPÉCIAUX

OPÉRATION

1. Remarques générales	50
1.1 Instructions relatives à la sécurité	51
1.2 Autres symboles dans ce document.	51
2. Sécurité	52
2.1 Usage prévu	52
2.2 Généralités relatives à la sécurité	52
3. Inscrivez votre produit	53
4. Description de l'appareil	53
5. Réglages	54
6. Nettoyage, soin et entretien	54

INSTALLATION

7. Sécurité	55
7.1 Généralités relatives à la sécurité	55
8. Description de l'appareil	55
8.1 Livraison normale	55
8.2 Accessoires proposés en option	55

9. Préparations	56
10. Installation	56
10.1 Site d'installation	56
10.2 Configuration d'installation	57
10.3 Connexion à l'alimentation électrique	59
11. Mise en service	60
11.1 Démarrage initial	60
11.2 Transfert de l'appareil	60
11.3 Remise en marche	60
11.4 Réglages	61
12. Désactivation	62
13. Dépannage	62
14. Entretien	64
15. Caractéristiques techniques	65
15.1 Dimensions et raccords	65
15.2 Schéma de câblage	66
15.3 Augmentation de la température au dessus de la température ambiante de l'eau	67
15.4 Tableau de données	68
16. Pièces détachées	70
17. Garantie	71

RENSEIGNEMENTS SPÉCIAUX

- Veillez à ce que l'appareil puisse être détaché de l'alimentation électrique par un disjoncteur qui déconnecte tous les pôles.
- Si le câble est endommagé, seul un technicien qualifié est sensé le remplacer et la réparation doit être autorisée par Stiebel Eltron avec une pièce après-vente d'origine.
- Fixez l'appareil comme cela est décrit dans la section « Installation » p. 55.
- Respectez la pression maximale autorisée décrite à la section « Tableau de données » p. 68.
- Purgez l'appareil comme cela est décrit dans la section « Purge de l'appareil » p. 64.

OPÉRATION

1. Remarques générales

Le chapitre Opération est à l'attention des utilisateurs et des entrepreneurs en systèmes de chauffage.

Le chapitre Installation est à l'attention des entrepreneurs en systèmes de chauffage.



Remarque:

Lisez attentivement ces directives avant d'utiliser l'appareil puis mettez-les de côté pour référence ultérieure. Transférez ce document à toute personne qui utilisera l'appareil.

REMARQUES GÉNÉRALES

1.1 Instructions relatives à la sécurité

1.1.1 Structure des instructions relatives à la sécurité



Mot-clé : Type de risque

Vous trouverez ici la liste des conséquences possibles pouvant découler du non-respect des instructions de sécurité. Les étapes pour prévenir le risque sont énumérées.

1.1.2 Symboles, nature du danger

Symbole	Nature du danger
	Blessure
	Électrocution
	Brûlures ou ébouillamment

1.1.3 Mots-clés

MOT-CLÉ	Description
DANGER	La non-observation de ces informations entraîne des blessures graves, voire la mort.
AVERTISSEMENT	La non-observation de ces informations peut entraîner des blessures graves, voire la mort.
ATTENTION	La non-observation de ces informations peut entraîner des blessures moyennement graves ou légères.

1.2 Autres symboles dans ce document.



Remarque:

Les remarques sont encadrées horizontalement. Les généralités sont identifiées à l'aide du symbole illustré à gauche.

Symbole	
	Dommmages sur l'appareil et sur l'environnement
	Recyclage de l'appareil

2. Sécurité

2.1 Usage prévu

Cet appareil est réservé à l'usage résidentiel. Il peut être utilisé en toute sécurité par des personnes non formées. Cet appareil peut également être utilisé en dehors d'un usage résidentiel, par exemple dans une petite entreprise, tant que son usage reste le même.

Cet appareil est prévu pour le chauffage de l'eau sanitaire (ECS) ou pour le chauffage de l'eau préchauffée. Cet appareil est conçu pour un lavabo pour le lavage des mains.



Remarque:

Les Mini-E 6-2 et Mini-E 6-3 sont les seuls modèles Mini-E conçus pour fournir de l'eau chaude à un OU deux lavabos. Le raccordement de tout autre modèle Mini-E à plus d'un évier pour le lavage des mains est considéré comme inapproprié.

Tout autre usage au-delà de l'usage décrit sera jugé inapproprié. L'usage correct comprend également le respect de ces directives et de toutes les directives relatives aux accessoires utilisés de concert avec cet appareil.

2.2 Généralités relatives à la sécurité



DANGER : Ébouillantage

Pendant son fonctionnement, l'eau peut être chauffée à des températures supérieures à 50 °C (122 °F). Il y a un risque d'ébouillantage au niveau des températures de sortie qui pourraient dépasser 43 °C (109 °F).



DANGER : Électrocution

Tout câble électrique endommagé doit être remplacé par un électricien qualifié. Cela permet d'éviter les dangers potentiels émanant d'une mauvaise installation.



ATTENTION : NE PAS INSTALLER DANS UNE ENCEINTE DE BAIN OU UNE CABINE DE DOUCHE. NE PAS RACCORDER À UN ADOUCISSEUR D'EAU RÉGÉNÉRÉ AU SEL OU UNE EAU L'APPROVISIONNEMENT EN EAU SALÉE.

A UTILISER UNIQUEMENT SUR UN CIRCUIT DE DÉRIVATION INDIVIDUEL.

ATTENTION : SE CONNECTER UNIQUEMENT À UN CIRCUIT PROTÉGÉ PAR UN DISJONCTEUR DE FUITE À LA TERRE DE CLASSE A

UTILISER LE CONDUCTEUR DE LIAISON CONFORMÉMENT AU CODE CANADIEN DE L'ÉLECTRICITÉ, PARTIE I

INSCRIVEZ VOTRE PRODUIT



Pertes matérielles:

Protégez l'appareil et le robinet du gel.



Pertes matérielles:

N'utilisez que l'aérateur fourni. Évitez l'accumulation de tartre au niveau des robinets (Voir le chapitre 6, "Nettoyage, soin et entretien", p. 54).

3. Inscrivez votre produit



Remarque:

Vous devez inscrire votre produit dans les 90 jours qui suivent la date d'achat sur notre site internet pour activer la garantie normale ou pour pouvoir réclamer la garantie prolongée, Rendez-vous à notre site internet à l'adresse suivante : www.stiebel-eltron-usa.com et cliquez sur « Register Your Product » (inscrivez votre produit),

Avant de lancer le processus d'inscription, nous vous conseillons d'avoir à portée de main la documentation nécessaire, à savoir :

Modèle, Exemple : Mini-E 6-2

Numéro apparaissant après « Nr, » (N°)

Lieu d'achat

Date d'achat

Prénom et nom de famille

Adresse courriel

Adresse postale

Numéro de téléphone

Date d'installation

En cas de questions à propos du processus d'inscription ou des options pour la garantie, veuillez contacter Stiebel Eltron USA directement en composant le 800.582.8423.

4. Description de l'appareil

Les chauffe-eau thermostatiques Mini-E sont à commande électronique fournir de l'eau à une température précis conformant à code. Elles fournissent de l'eau à des températures constante quelle que soit la température d'entrée, jusqu'à le débit d'eau dépasse la capacité de chauffage de l'appareil.

Cet appareil a été réglé en usine à 38 °C (100 °F). Une fois que cette température a été atteinte, le tableau de commande principal maintient automatiquement la température à ce niveau. La température au robinet correspond à la température préréglée et la programmation empêche que cette température ne soit dépassée.

L'appareil chauffe l'eau directement au point d'admission dès que le robinet est ouvert. Des tuyaux courts garantissent une perte en énergie et eau minimale.

La température de sortie de l'ECS dépend de la température de l'eau froide, de la capacité du chauffe-eau et du débit.

Le système de chauffage avec les Advanced Direct Coil™ peut être utilisé dans les régions quelle que soit la dureté de l'eau (douce ou dure). Ce système de chauffage ne favorise pas l'accumulation du tartre. Le système de chauffage garantit que de l'eau chaude sortira rapidement et économiquement du robinet.

Votre technicien qualifié peut ajuster le réglage de température maximale (Voir 11.4, « Réglages », p. 61).

Vous devez utiliser l'aérateur fourni avec l'appareil.

Si vous avez des questions concernant l'utilisation que vous allez faire de l'Mini, veuillez contacter notre service technique au 800.582.8423 (USA et Canada).

Pour toute assistance en dehors des États-Unis et du Canada, composez le ++ 413.247.3380 (USA). Vous pouvez aussi nous écrire à info@stiebel-eltron-usa.com ou nous envoyer un fax au 413.247.3369.

5. Réglages

Le système de chauffage de l'appareil s'active automatiquement dès que l'on ouvre le robinet. L'eau est chauffée. La température de l'eau peut être réglée au robinet:

Augmenter la température

- ▶ Réduire le débit au robinet.

Réduire la température

- ▶ Ouvrir davantage le robinet ou ajouter plus d'eau froide.

Après une interruption de l'alimentation en eau

Voir 11.3, « Remise en marche », p. 60.

6. Nettoyage, soin et entretien

- ▶ N'utilisez jamais de produits nettoyants abrasifs ou corrosifs. Il suffit d'avoir un chiffon humide pour nettoyer l'extérieur du chauffe-eau.
- ▶ Inspectez les robinets et les valves à intervalles réguliers. Les dépôts de tartre peuvent être enlevés en utilisant des produits de détartrage en vente dans le commerce.
- ▶ Faites vérifier la sécurité électrique de l'appareil de temps en temps par un électricien.

- ▶ Détartrez à intervalles réguliers l'aérateur fourni ou remplacez-le (Voir 8.2, « Accessoires proposés en option », p. 55).

INSTALLATION

7. Sécurité

Seuls un entrepreneur qualifié peut exécuter l'installation, la mise en service, l'entretien et la réparation de l'appareil.

7.1 Généralités relatives à la sécurité

Nous garantissons que l'appareil fonctionnera sans problème et de manière fiable uniquement si les accessoires d'origine et les pièces après-vente d'origine ont été utilisés.



Pertes matérielles:

Respectez la température d'admission maximale autorisée. Des températures plus élevées pourraient endommager l'appareil. Vous pouvez limiter la température d'admission à l'aide d'un robinet thermostatique central (Voir 8.2, « Accessoires proposés en option », page 8).



Remarque:

Respectez tous les codes et directives nationaux, régionaux et locaux en vigueur.

8. Description de l'appareil

8.1 Livraison normale

Les articles suivants sont livrés avec l'appareil:

- Écran du filtre dans l'admission d'eau froide
- Aérateur
- Câble électrique

8.2 Accessoires proposés en option

Mini-E TLC - Mitigeur thermostatique

Pour la conformité avec la norme ASSE 1070-2004, utilisez le kit Mini-E TLC proposé en option vendu par Stiebel Eltron.

Visitez www.stiebel-eltron-usa.com pour plus de détails.

9. Préparations

- ▶ Purgez bien la conduite d'eau.

Raccordement à l'eau

Stiebel Eltron n'exige pas de soupape de surpression, mais il est possible que le code de plomberie local le fasse. Vérifiez les codes avant l'installation.



Remarque:

Le raccordement de l'aérateur fourni permet d'obtenir un débit d'eau optimal.

10. Installation

10.1 Site d'installation

N'installez pas à un endroit où l'appareil pourrait être exposé à des températures inférieures à 5 °C (41 °F).

Garantissez l'accès aux vis d'ouverture des deux côtés du couvercle pour qu'elles puissent être facilement retirées pour tous les travaux d'entretien.

L'appareil est compatible avec une installation sous l'évier ou au-dessus de l'évier. Il peut être installé avec les connexions d'eau en haut ou en bas.



DANGER: Électrocution

La vis de réglage pour le réglage de la température est sous tension, et la protection IP25 n'est offerte que lorsque le panneau arrière de l'appareil est installé.



ATTENTION : NE PAS INSTALLER DANS UNE ENCEINTE DE BAIN OU UNE CABINE DE DOUCHE. NE PAS RACCORDER À UN ADOUCISSEUR D'EAU RÉGÉNÉRÉ AU SEL OU UNE EAU L'APPROVISIONNEMENT EN EAU SALÉE.

A UTILISER UNIQUEMENT SUR UN CIRCUIT DE DÉRIVATION INDIVIDUEL.

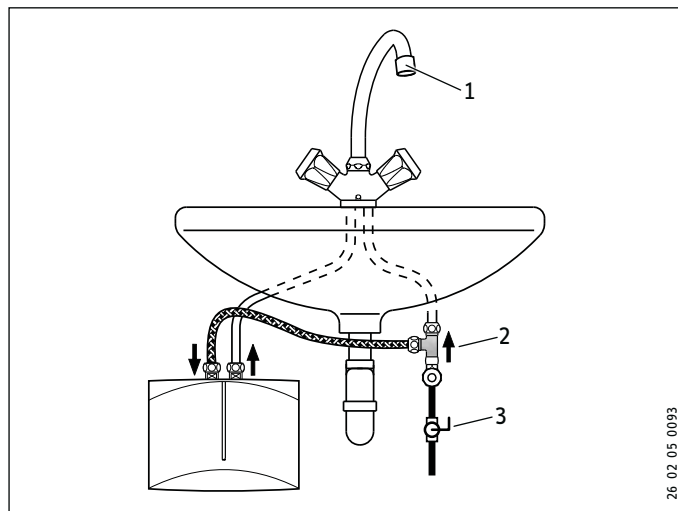
ATTENTION : SE CONNECTER UNIQUEMENT À UN CIRCUIT PROTÉGÉ PAR UN DISJONCTEUR DE FUITE À LA TERRE DE CLASSE A

UTILISER LE CONDUCTEUR DE LIAISON CONFORMÉMENT AU CODE CANADIEN DE L'ÉLECTRICITÉ, PARTIE I

INSTALLATION

10.2 Configuration d'installation

10.2.1 Installation normale



- 1 Aérateur
- 2 Raccord en T
- 3 Robinet d'arrêt

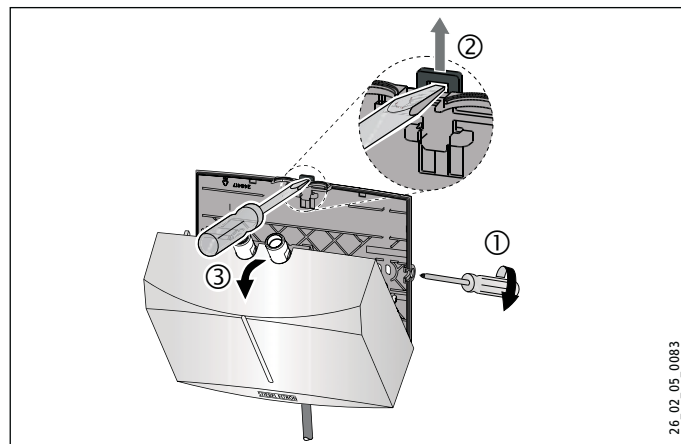
10.2.2 Installation de l'appareil



Remarque:

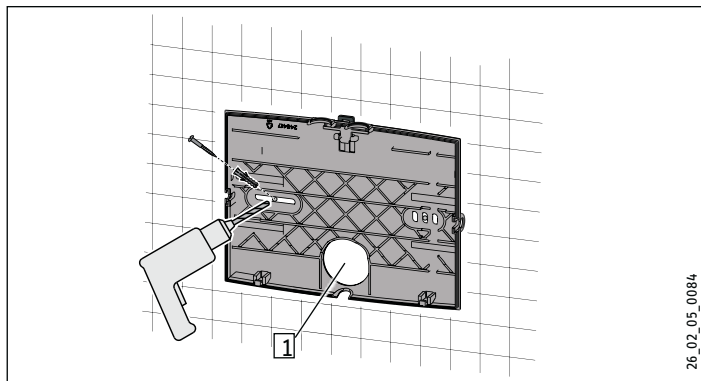
► Fixez l'appareil au mur.

Le mur doit présenter une force portante suffisante pour accueillir le poids de l'appareil.



- 1 Desserrez les vis du couvercle de deux tours.
- 2 Débloquez la fixation à pression à l'aide d'un tournevis.
- 3 Retirez le couvercle de l'appareil avec l'appareil de chauffage dirigé vers l'avant.

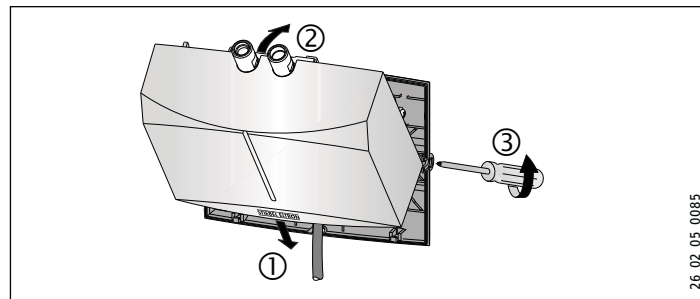
INSTALLATION



26_02_05_0084

1 Alvéole défonçable pour le câblage

- ▶ À l'aide de pinces, détachez l'alvéole défonçable prévue pour le câble d'alimentation dans le couvercle de l'appareil. Corrigez les contours à l'aide d'une lime le cas échéant.
- ▶ Utilisez le panneau arrière de l'appareil comme gabarit de perçage.
- ▶ Fixez le panneau arrière de l'appareil au mur à l'aide de bouchons et de vis appropriés.



26_02_05_0085

- 1 Crochet dans le couvercle de l'appareil.
- 2 Enclenchez l'appareil de chauffage en place à l'aide de la fixation à pression.
- 3 Fixez le couvercle de l'appareil avec les vis de fixation du couvercle.

Installation du robinet

- ▶ Installez les connexions au robinet. Pour cela, respectez les directives d'installation et le mode d'emploi du robinet.



Pertes matérielles:

- ▶ Lorsque vous faites les connexions, contrecarrez le couple de l'appareil en utilisant une clé 14 mm.

10.3 Connexion à l'alimentation électrique



DANGER: Électrocution

Exécutez tous les travaux de configuration électrique et d'installation conformément aux réglementations nationales, régionales et locales en vigueur.



DANGER: Électrocution

Veillez à ce que l'appareil soit mis à la terre.
Veillez à ce que l'appareil puisse être séparé de l'alimentation électrique par un disjoncteur qui déconnecte tous les pôles.



DANGER: Électrocution

Les appareils sont livrés avec un câble qui devra être branché à l'alimentation permanente.
Veillez à ce que le fil utilisé ait la bonne taille pour l'appareil conformément à la taille de fil minimale recommandée à la section 15.4, « Tableau de données », page 21.



Pertes matérielles:

Lorsque vous faites le branchement à une prise murale normale, veillez à ce que la prise soit facilement accessible pour débrancher aisément en cas de besoin.



Pertes matérielles:

Prenez connaissance des instructions de l'étiquette du produit. La tension spécifiée doit correspondre au secteur.

10.3.1 Câblage

Pour les unités 120 V ou 277 V, le fil marron de la queue de cochon doit être raccordé à L (sous tension), le fil bleu à N (neutre) et le fil vert / jaune à la masse GND.

Pour les unités 208/240 V, le fil marron de la queue de cochon doit être raccordé à L1, le fil bleu à L2 et le fil vert / jaune à la masse GND.

- Si l'appareil doit être branché directement, connectez le câble comme indiqué dans le schéma de câblage (Voir 15.2, « Schéma de câblage », p. 66).

11. Mise en service

11.1 Démarrage initial



- ▶ Avant d'activer l'alimentation, remplissez tout d'abord l'appareil d'eau pour éviter la combustion à sec de l'élément chauffant.
- ▶ Vérifiez qu'il n'y a pas de fuite.
- ▶ Activation de l'alimentation électrique
- ▶ Ouvrez le robinet.
- ▶ Vérifiez le fonctionnement de l'appareil.

11.2 Transfert de l'appareil

- ▶ Expliquez le fonctionnement de l'appareil aux utilisateurs et familiarisez-les avec son fonctionnement.
- ▶ Soulignez les dangers potentiels, notamment le risque d'ébouillantage.
- ▶ Donnez-leur ces directives.

11.3 Remise en marche



Pertes matérielles:

À la suite d'une interruption de l'alimentation en eau, remettez l'appareil en marche en respectant les étapes suivantes pour éviter d'endommager de manière irréversible le système de chauffage par Advanced Direct Coil™.

- ▶ Désactivation de l'alimentation électrique
- ▶ Suivez les étapes de la section 11.1 Voir 11.1, « Démarrage initial », p. 60.

MISE EN SERVICE

11.4 Réglages

Vous pouvez modifier le réglage de la température maximale à l'aide du potentiomètre situé à l'intérieur de l'appareil.



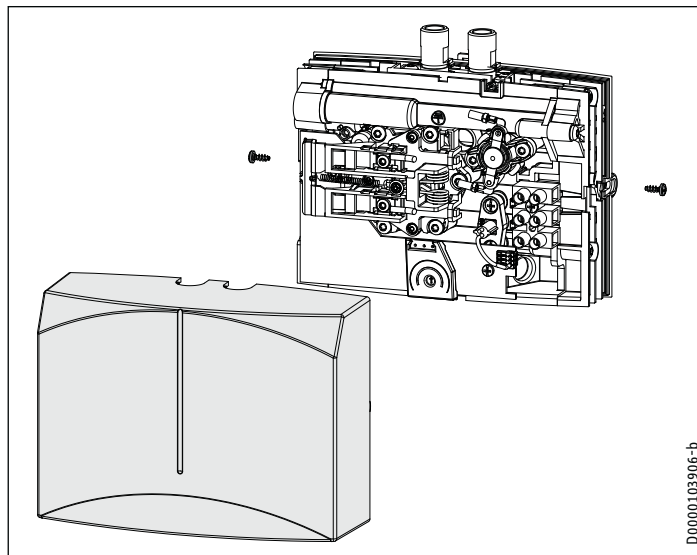
DANGER : Électrocution

La température ne peut être réglée que si l'appareil est isolé de l'alimentation électrique.



DANGER : Électrocution

La vis de réglage pour le réglage de la température est sous tension lorsque l'alimentation électrique est active.



D0000103906-b

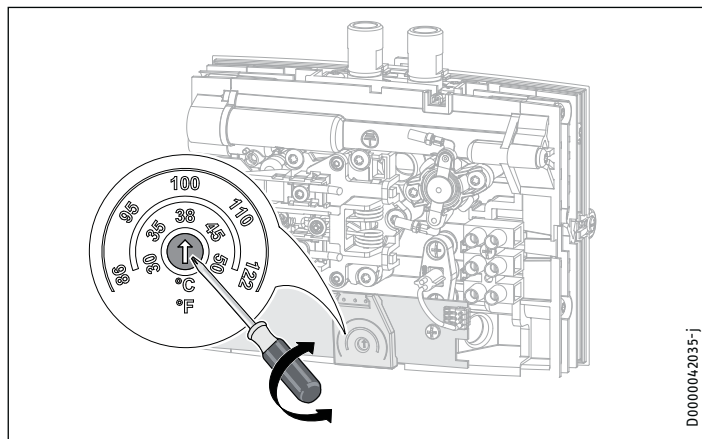
► Retrait du couvercle de l'appareil.

FRANÇAIS

DÉSACTIVATION

Réglage de la température maximale

Réglages d'usine : 38 °C (100 °F)



N'ajustez pas la température tant que l'alimentation électrique n'a pas été désactivée ou déconnectée.

- ▶ À l'aide d'un tournevis à tête plate, réglez le potentiomètre à la température maximale requise.
- ▶ Remise en place du couvercle de l'appareil.

12. Désactivation

- ▶ Coupez le disjoncteur connecté à l'appareil.
- ▶ Purgez l'appareil (« Purge de l'appareil » p. 64).

13. Dépannage

Problème	Cause	Solution
L'appareil ne démarre pas même si le robinet est ouvert à fond.	L'appareil n'est pas sous tension.	Vérifiez les fusibles ou le disjoncteur.
	Le débit est trop faible.	Augmentez le débit. Nettoyez l'aérateur installé au robinet.
L'écran du filtre dans l'admission d'eau froide est bloqué.	L'écran du filtre dans l'admission d'eau froide est bloqué.	Nettoyez l'écran du filtre après avoir coupé l'arrivée d'eau froide.
	Le chauffage est défaillant.	Inspectez la résistance du système de chauffage et remplacez l'appareil le cas échéant. Contactez Stiebel Eltron pour d'autres solutions de dépannage.

DÉPANNAGE

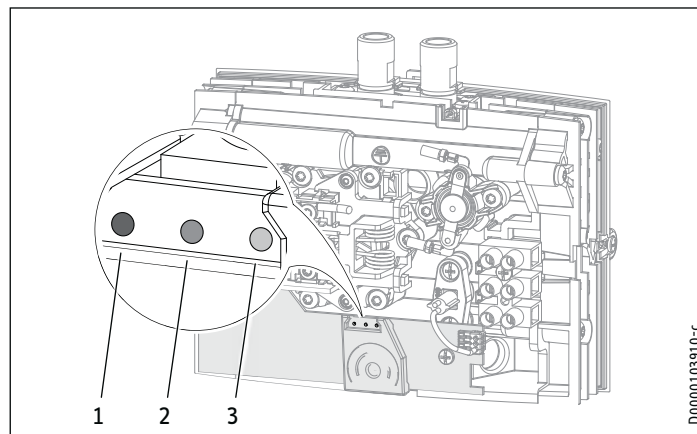
Problème	Cause	Solution
	Le limiteur de pression de sécurité s'est déclenché.	Éliminez la raison de la défaillance. Isolez l'appareil de l'alimentation électrique et dépressurisez la conduite d'eau. Réenclenchez le limiteur de pression de sécurité.

Problème	Cause	Solution
La température requise n'est pas atteinte.	La température maximale réglée à l'intérieur de l'appareil est trop basse.	Demandez à un installateur qualifié d'ajuster la température maximale.
	L'appareil dépasse sa limite.	Réduisez le débit.

Si vous ne pouvez pas remédier au problème, contactez votre entrepreneur spécialisé. Pour faciliter et expédier votre demande, fournissez le numéro de série inscrit sur la plaque signalétique (000000-0000-000000).

Mini-E Nr.: 000000-0000-000000

Indicateurs DEL



- 1 Rouge en cas de défaillance
- 2 Il brille jaune pendant l'opération de chauffage ou clignote en jaune lorsque l'appareil se réchauffe à la capacité
- 3 Vert clignotant lorsque la panneau de commande principal est sous tension

D0000103910-c

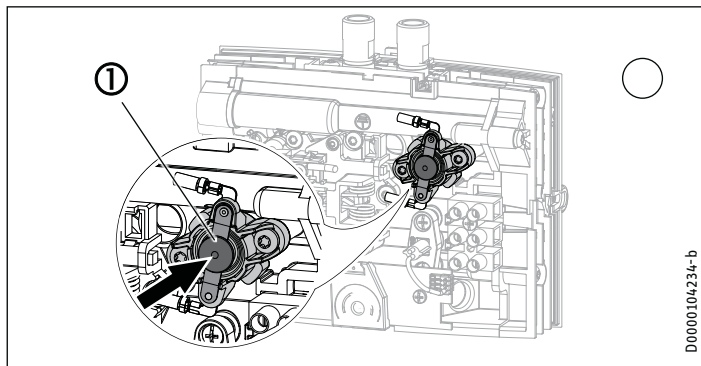
FRANÇAIS

Limiteur de pression de sécurité



DANGER: Électrocution

N'essayez pas de réinitialiser l'interrupteur de pression de sécurité de ce chauffe-eau à moins que l'alimentation ait été complètement coupée au disjoncteur.



1 Limiteur de pression pour le Mini-E

Si le limiteur de pression disjoncte en permanence, il peut y avoir un problème avec l'alimentation en eau chaude ou l'appareil. Contactez votre installateur pour qu'il identifie le problème et le répare.

14. Entretien



DANGER : Électrocution

Avant de commencer les travaux, déconnectez l'alimentation électrique.

Purge de l'appareil



DANGER : Ébouillantage

Il est possible que de l'eau très chaude s'échappe pendant la purge.

Si l'appareil doit être purgé pour raison d'entretien ou pour le protéger en cas de gel, procédez comme suit:

- ▶ Coupez la vanne d'isolement de la conduite d'eau froide.
- ▶ Ouvrez la valve d'évacuation.
- ▶ Débranchez les connexions d'eau de l'appareil.



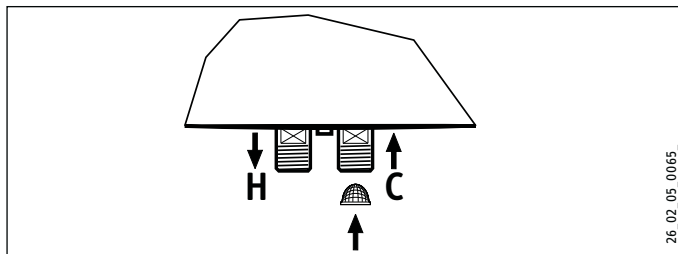
Remarque:

L'écran du filtre doit être inspecté régulièrement pour toute trace de débris et de tartre. Nettoyez-le ou remplacez-le le cas échéant. Coupez l'alimentation et l'eau avant de retirer l'écran du filtre.

CARACTÉRISTIQUES TECHNIQUES

Nettoyage de l'écran du filtre.

Vous pouvez nettoyer l'écran du filtre après avoir coupé l'arrivée d'eau froide.



Inspection du conducteur de terre

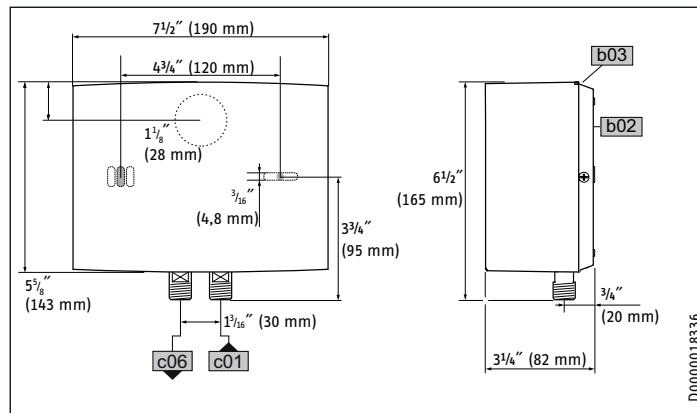
- ▶ Inspectez le conducteur de terre sur le câble de connexion de l'appareil.

Entreposage de l'appareil

- ▶ Entrepochez l'appareil démonté dans une pièce à l'abri du gel car les résidus d'eau à l'intérieur de l'appareil pourraient geler et l'endommager.

15. Caractéristiques techniques

15.1 Dimensions et raccords



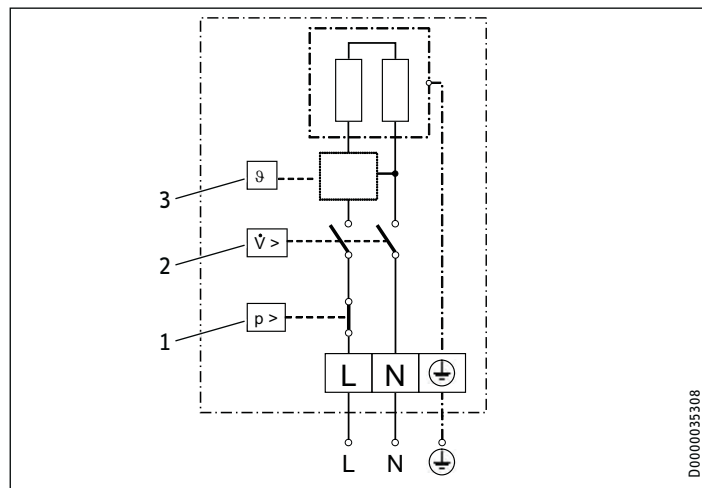
	Mini
b02	Entrée du câble électrique 1
b03	Entrée du câble électrique 2
c01	Arrivée d'eau froide 3/8" G mâle*
c06	Sortie de l'eau chaude sanitaire 3/8" G mâle*

*Il s'agit d'un fil parallèle pour la connexion à un connecteur flexible de diamètre extérieur de 3/8 po ou à un raccord de compression de 3/8 po

CARACTÉRISTIQUES TECHNIQUES

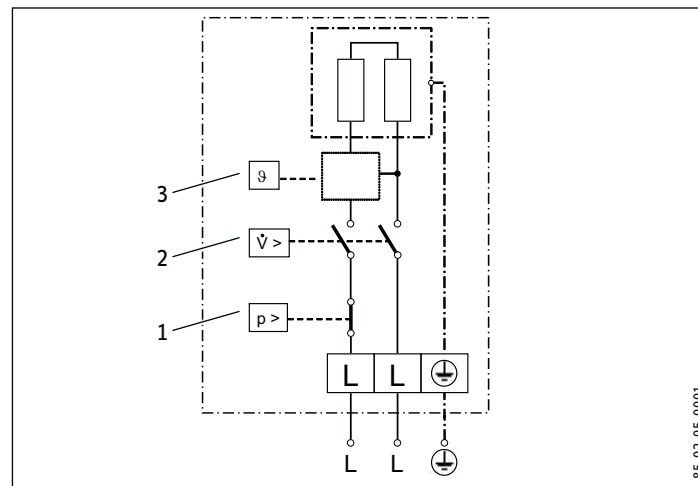
15.2 Schéma de câblage

15.2.1 Mini-E 2-1, Mini-E 2.5-1, Mini-E 3-1, Mini-E 3.5-1 ~ 110-120 V; Mini-E 3-3, Mini-E 4-3, Mini-E 6-3 ~ 277 V



- 1 Limiteur de pression
- 2 Interrupteur de mise en marche du débit
- 3 Panneau de commande principal avec capteur de température de sortie

15.2.2 Mini-E 4-2 et Mini-E 6-2 ~ 220-240 V



- 1 Limiteur de pression
- 2 Interrupteur de mise en marche du débit
- 3 Panneau de commande principal avec capteur de température de sortie

CARACTÉRISTIQUES TECHNIQUES



Pertes matérielles:

► Dans une installation avec une alimentation permanente, connectez le câble d'alimentation conformément aux désignations sur les bornes de la prise.

15.3 Augmentation de la température au dessus de la température ambiante de l'eau

Appareil	Puissance	Hausse de température (°F)								Hausse de température (°C)							
		GPM								l/min							
		0,32	0,42	0,48	0,53	0,69	0,85	1,06	1,14	1,2	1,6	1,8	2,0	2,6	3,2	4,0	4,3
Mini-E 2-1*	1,8 kW @ 110-120 V	39	-	-	-	-	-	-	-	22	-	-	-	-	-	-	-
Mini-E 2.5-1	2,4 kW @ 110-120 V	51	39	34	30	24	19	15	14	28	22	19	17	13	11	8	8
Mini-E 3-1	3,0 kW @ 110-120 V	64	49	43	38	30	24	19	18	36	27	24	21	17	13	11	10
Mini-E 3-3	3,0 kW @ 277 V	64	49	43	38	30	24	19	18	36	27	24	21	17	13	11	10
Mini-E 3.5-1	3,5 kW @ 110-120 V	75	57	50	45	35	28	22	21	42	32	28	25	19	16	12	12
Mini-E 4-2	2,6 kW @ 208 V	55	42	37	33	25	20	16	15	31	23	21	18	14	11	9	8
	3,5 kW @ 220-240 V	75	57	50	45	35	28	22	21	42	32	28	25	19	16	12	12
Mini-E 4-3	4,1 kW @ 277 V	87	67	58	53	41	33	26	25	48	37	32	29	23	18	14	14
Mini-E 6-2	4,3 kW @ 208 V	-	-	61	55	42	34	27	25	-	-	34	31	23	19	15	14
	5,7 kW @ 220-240 V	-	-	81	73	56	45	36	34	-	-	45	41	31	25	20	19
Mini-E 6-3	5,5 kW @ 277 V	117	89	78	71	54	44	35	33	65	49	43	39	30	24	19	18

*Le Mini-E 2-1 est limité de manière interne à 1,5 l/min (0,40 gpm)

Remarque: Le rendement de l'élément chauffant dépend de la tension fournie. L'appareil peut être forcé par les tensions fluctuantes ou variables de débiter de l'eau chaude à des valeurs différentes de celles indiqués dans le tableau ci-dessus.

CARACTÉRISTIQUES TECHNIQUES

15.4 Tableau de données

	Mini™-E 2-1	Mini™-E 2.5-1	Mini™-E 3-1	Mini™-E 3-3	Mini™-E 3.5-1	Mini™-E 4-2	Mini™-E 4-3	Mini™-E 6-2	Mini™-E 6-3		
	236011	236135	236010	206427	236136	236009	206428	236008	206429		
Données électriques											
Phase	1 - 50/60 Hz										
Tension ¹	110-120 V	110-120 V	110-120 V	277 V	110-120 V	220-240 V	208 V	277 V	220-240 V	208 V	277 V
Puissance	1,8 kW	2,4 kW	3,0 kW	3,0 kW	3,5 kW	3,5 kW	2,6 kW	4,1 kW	5,7 kW	4,3 kW	5,5 kW
Ampérage	15 A	20 A	25 A	10,83 A	29 A	14,6 A	12,6 A	14,8 A	23,75 A	20,6 A	19,86 A
Taille requise disjoncteur ²	15 A	20 A	25 A	15 A	30 A	15 A	15 A	15 A	25 A	20 A	20 A
Taille de câble requise, (cuivre) ³	14 AWG	12 AWG	10 AWG	14 AWG	10 AWG	14 AWG	14 AWG	14 AWG	10 AWG	12 AWG	12 AWG
Facteur énergétique uniforme (UEF)	0.98	0.97	0.97	0.97	0.97	0.99	à déterminer		0.98	à déterminer	
Efficacité de récupération	98%										
Raccordements											
Raccordements d'eau	Un connecteur flexible de diamètre extérieur de 3/8 po ou à un raccord de compression de 3/8 po										
Limites d'utilisation											
Pression de fonctionnement, max.	10 bar (150 psi)										
Testé sous pression	20 bar (300 psi)										
La température maximale d'entrée pour le réchauffage	50 °C (122 °F)										
Valeurs											
Température d'arrivée max. admissible	60 °C (140 °F)										
Plage de température d'entrée recommandée	5-25 °C (41-77 °F)										

* Mini-E 2-1 est limitée en interne à 1,5 l/min (0,4 gpm).

¹ Tension nominale comprise entre 110-120 V, 220-240 V et 277 V.

² Ceci est notre recommandation pour la protection de surintensité à 100% de la charge. Vérifiez les codes locaux de la conformité si nécessaire.

Les chauffe-eau sans réservoir sont considérés comme une charge non continue.

³ Le cuivre doit être utilisé. Les conducteurs doivent être choisis pour maintenir une baisse de tension inférieur à 3% sous tension.

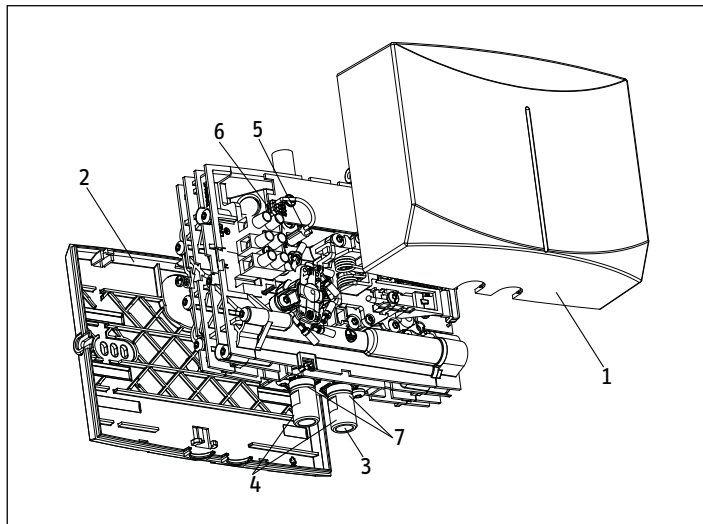
CARACTÉRISTIQUES TECHNIQUES

	Mini™-E 2-1	Mini™-E 2.5-1	Mini™-E 3-1	Mini™-E 3-3	Mini™-E 3.5-1	Mini™-E 4-2	Mini™-E 4-3	Mini™-E 6-2	Mini™-E 6-3
Écart de température	30-50 °C (86-122 °F)								
Débit d'eau min. pour activer l'appareil	0,8 l/min (0,21 gpm)	1,15 l/min (0,3 gpm)	1,15 l/min (0,3 gpm)	1,15 l/min (0,3 gpm)	1,15 l/min (0,3 gpm)	1,15 l/min (0,3 gpm)	1,15 l/min (0,3 gpm)	1,8 l/min (0,48 gpm)	1,15 l/min (0,3 gpm)
Pertes de charge avec débit volumétrique	0,5 bar (7,2 psi)	0,5 bar (7,2 psi)	0,5 bar (7,2 psi)	0,5 bar (7,2 psi)	0,5 bar (7,2 psi)	0,6 bar (8,7 psi)	0,5 bar (7,2 psi)	0,7 bar (10,2 psi)	0,5 bar (7,2 psi)
Volume nominal d'eau	0,1 l (0,026 gal)								
Divers									
Indice de protection (IP)	IP25								
Bloc isolant	Plastique								
Système de chauffage	Fil Nichrom								
Couleur	Blanc								
Aérateur(s) inclus qui doit être installé	1,3 l/min (0,35 gpm)	1,9 l/min (0,5 gpm)	1,9 l/min (0,5 gpm)	1,9 l/min (0,5 gpm)	1,9 l/min (0,5 gpm)	1,9 l/min (0,5 gpm)	1,9 l/min (0,5 gpm)	2 x 1,9 l/min ⁴ (0,5 gpm) 1 x 3,8 l/min (1,0 gpm)	2 x 1,9 l/min ⁴ (0,5 gpm) 1 x 3,8 l/min (1,0 gpm)
Dimensions									
Hauteur	165 mm (6½ po)								
Largeur	190 mm (7½ po)								
Profondeur	82 mm (3¼ po)								
Poids									
Poids	1,5 kg (3,3 lbs)								
Résistivité et conductivité électrique									
Spécification standard à	≤25 °C (77 °F)			>25 °C (77 °F)					
Résistivité minimale ρ ≥	1 000 Ωcm			1 300 Ωcm					
Conductivité maximale σ ≥	100 mS/m / 1 000 μS/cm			76,9 mS/m / 769 μS/cm					

⁴ Si vous raccordez Mini-E 6-2 ou Mini-E 6-3 à un seul évier, remplacez l'aérateur/réducteur de débit de 3,8 l/min (1,0 gpm) fourni par un aérateur/réducteur de débit.

PIÈCES DÉTACHÉES

16. Pièces détachées



#	Numéro de l'article	Mini™-E 2-1 Mini™-E 2.5-1 Mini™-E 3-1 Mini™-E 3-3 Mini™-E 3.5-1 Mini™-E 4-2 Mini™-E 4-3 Mini™-E 6-2 Mini™-E 6-3
1	Couvercle avant	271010
2	Boîtier arrière	271011
3	Écran du filtre	272884
4	Connexion de plomberie	272777
5	Capteur de température NTC	295276
6	Support de capteur	293818
7	Joints toriques	083043

17. Garantie

Sous réserve du respect des termes et conditions définis dans la présente garantie à vie limitée, Stiebel Eltron, Inc. (ci-après, le « Fabricant ») garantit à l'acheteur d'origine (ci-après le « Propriétaire ») que tous les chauffe-eau électrique sans réservoir (ci-après, le « Chauffe-eau ») ne doit pas (i) des fuites dues à des défauts de matériaux ou de fabricant de fabrication pendant une période de dix (10) ans à compter de la date d'achat ou (ii) l'échec en raison de défauts dans les matériaux ou de fabrication du fabricant pour une période de trois (3) ans à compter de la date d'achat. Le seul et unique recours du propriétaire dans le cadre de la garantie susmentionnée sera pour le Propriétaire de soit réparer en usine, soit remplacer le Chauffe-eau défectueux (à la discrétion du fabricant) avec soit un appareil de rechange, soit une ou des pièces ayant les mêmes caractéristiques d'exploitation. La responsabilité financière maximale du Fabricant ne pourra en aucun cas aller au-delà du prix d'achat du le Chauffe-eau.

Cette garantie limitée représente la seule garantie accordée par le fabricant et annule toute les autres garanties, orales ou écrites, expresses ou implicites, y compris, mais sans y être limitées les garanties de qualité marchande ou d'aptitude à un usage particulier. Le fabricant rejette toute responsabilité pour les dommages ou frais indirects, consécutifs ou autres résultant directement ou indirectement de tout vice présent dans le chauffe-eau ou survenu lors de l'usage du Chauffe-eau. Le fabricant rejette toute responsabilité pour tout dégât des eaux ou tout autre dégât matériel encouru par le propriétaire, résultant directement ou indirectement de tout vice présent dans le Chauffe-eau ou survenu lors de l'usage du Chauffe-eau. Seul le Fabricant est autorisé à énoncer les garanties au nom du Fabricant et aucune déclaration, garantie ou autre document énoncé par une tierce partie ne saurait engager la responsabilité du Fabricant.

Le Fabricant rejette toute responsabilité pour tout dommage causé par ou en relation avec :

1. toute mauvaise utilisation ou négligence du chauffe-eau, tout accident subi par le chauffe-eau, toute modification du chauffe-eau ou tout autre usage non prévu,
2. les calamités naturelles ou toute autre circonstance sur laquelle le fabricant n'a aucun contrôle,
3. l'installation du chauffe-eau autre que conformément aux directives du fabricant et autre que conformément aux codes de la construction en vigueur,
4. le non-respect des procédures d'entretien du chauffe-eau ou l'utilisation du chauffe-eau non conformes aux directives du fabricant,
5. l'utilisation du chauffe-eau avec une pression d'eau irrégulière ou dans le cas où le chauffe-eau serait alimenté en eau non potable pour toute durée que ce soit,

6. une installation incorrecte ou l'utilisation de matériaux incorrects par un installateur et sans relation avec les vices de fabrication ou de matériel du fabricant,
7. déplacer le Chauffe-eau de son lieu d'installation d'origine;
8. l'exposition au gel,
9. problèmes de qualité de l'eau comme l'eau corrosive, l'eau dure et de l'eau contaminée par de polluants ou des additifs,

Si le Propriétaire désire renvoyer le Chauffe-eau au Fabricant pour qu'il soit réparé ou remplacé dans le cadre de cette Garantie, le Propriétaire doit d'abord obtenir l'autorisation écrite du Fabricant. Le Propriétaire doit apporter la preuve d'achat, y compris la date d'achat, et sera responsable de tous les frais de transport et de dépose. Si le Propriétaire ne peut pas apporter la preuve de la date d'achat, cette Garantie sera limitée à la période commençant à la date de fabrication estampée sur le Chauffe-eau. Le Fabricant se réserve le droit de rejeter toute couverture de la Garantie à la suite d'une inspection du Chauffe-eau par le Fabricant. Cette Garantie ne s'applique qu'au propriétaire et ne peut pas être transférée.

Certains États et Provinces n'autorisent pas l'exclusion ou la limitation de certaines garanties. Dans ce cas, les limites ci-mentionnées peuvent ne pas s'appliquer au propriétaire. Dans ce cas, la Garantie sera limitée à la période la plus courte et aux dommages et intérêts les plus faibles autorisés par la loi. Cette garantie vous octroie des droits légaux spécifiques. Il est toutefois possible que vous ayez d'autres droits en fonction de votre juridiction.

Le Propriétaire sera responsable de tous les frais de main-d'œuvre et autres encourus lors de la dépose ou de la réparation du Chauffe-eau sur le chantier. Veuillez également noter que le Chauffe-eau doit être installé de sorte qu'en cas de fuite, l'eau qui s'écoule doit couler de façon à ne pas endommager l'endroit où il est installé.

Cette garantie n'est valide que pour le Canada et les États-Unis. Les garanties varient en fonction du pays. Veuillez vous adresser à votre représentant local Stiebel Eltron pour plus de détails sur la garantie s'appliquant à votre pays.

Environnement et recyclage

Veuillez nous aider à protéger l'environnement en mettant les matériaux d'emballage au rebut conformément aux règlements nationaux relatifs au traitement des déchets.

United States of America

STIEBEL ELTRON, Inc.

17 West Street | West Hatfield MA 01088

Tel. (413)247-3380 | Fax (413)247-3369

info@stiebel-eltron-usa.com

www.stiebel-eltron-usa.com

STIEBEL ELTRON

A 330706-1000042-0130