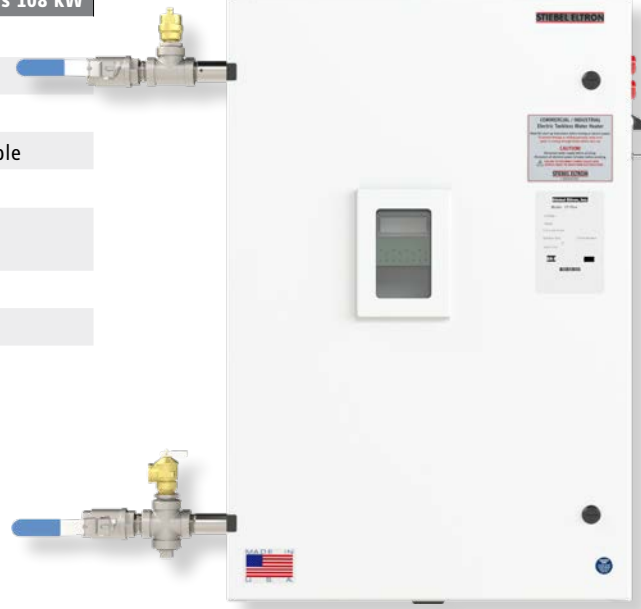


STIEBEL ELTRON

CF Plus Series: 81 kW, 90 kW, 108 kW, | NEMA 3, NEMA 4/4X
Engineering Specification Sheet

Specifications

Model	CF Plus 81 kW, CF Plus 90 kW, CF Plus 108 kW
Phase	3-phase
Inlet/outlet pipe connection	1" female NPT
Heat exchanger material	316L stainless steel
Enclosure rating	NEMA 3 standard, NEMA 4/4X available
Operating pressure range	4-145 psi (0.28-10 bar)
Temperature setpoint options (programmed at factory, user adjustable)	60-180 °F (32-82 °C)
Number of heating elements	18
Minimum activation flow (hot start)	2.7 gpm (10.2 l/m)
Maximum flow at 60 psi	40 gpm (151.4 l/m)



Model	Part Number	Voltage	Phase	kW	Amps	3P Breaker Size (A)	Temperature Rise °F				
							5 gpm	10 gpm	20 gpm	30 gpm	40 gpm
CF Plus 81 kW	CFPLUS-081-480	480	3-phase delta	81.07	97.52	110	>100	55	28	18	14
CF Plus 90 kW	CFPLUS-090-480	480	3-phase delta	90.00	108.25	125	>100	62	31	21	15
CF Plus 108 kW	CFPLUS-108-480	480	3-phase delta	108.00	129.90	150	>100	74	37	25	18
	CFPLUS-108-575	575	3-phase delta	108.00	108.44	125	>100	74	37	25	18



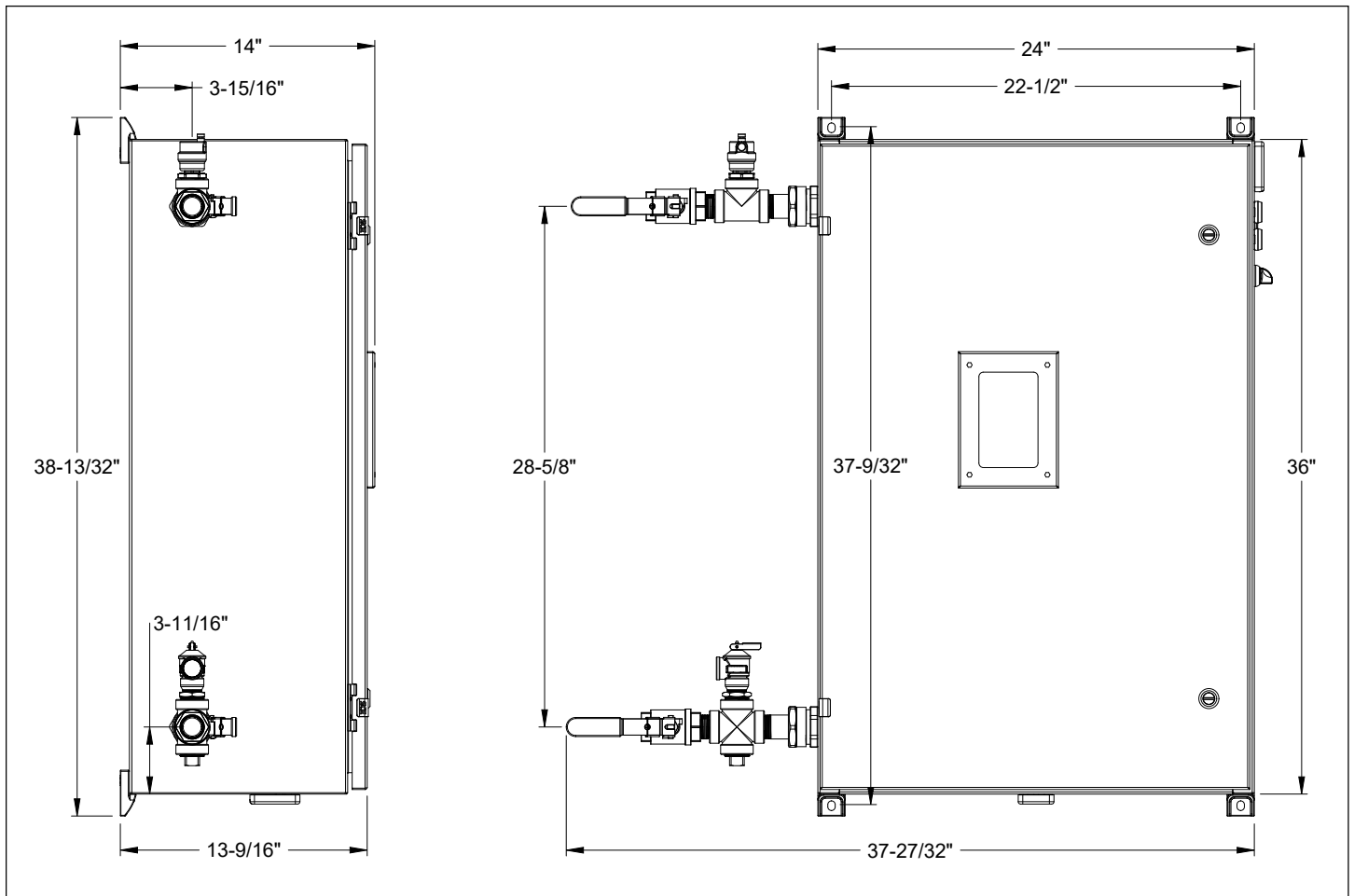
Certified to ANSI/UL Std. 499
Conforms to CAN/CSA
Std. C22.2 No.88



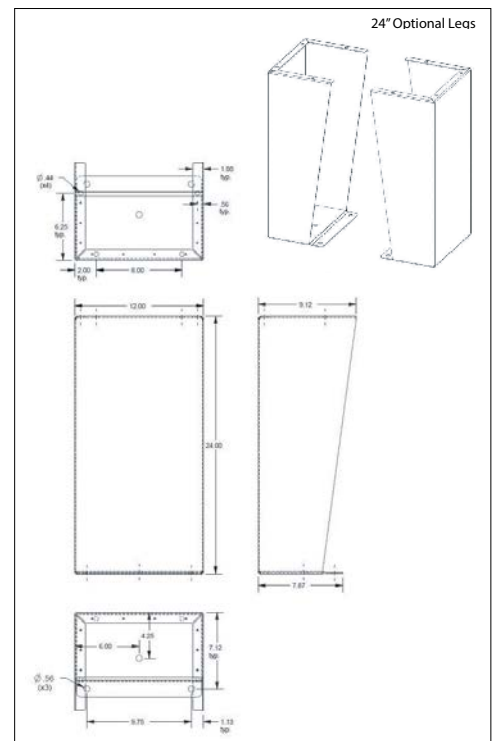
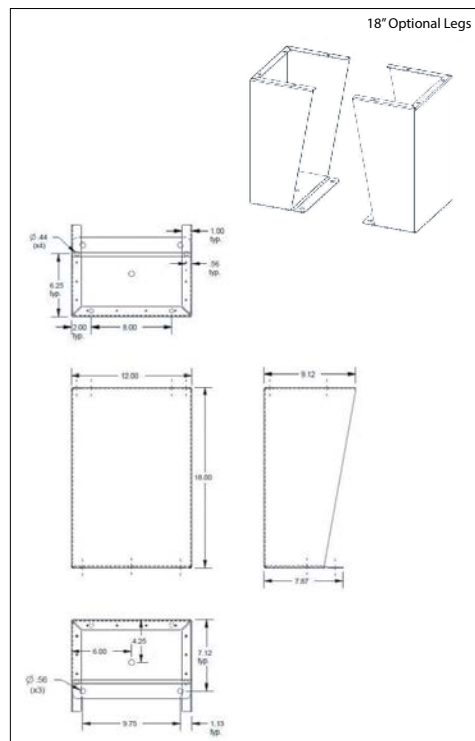
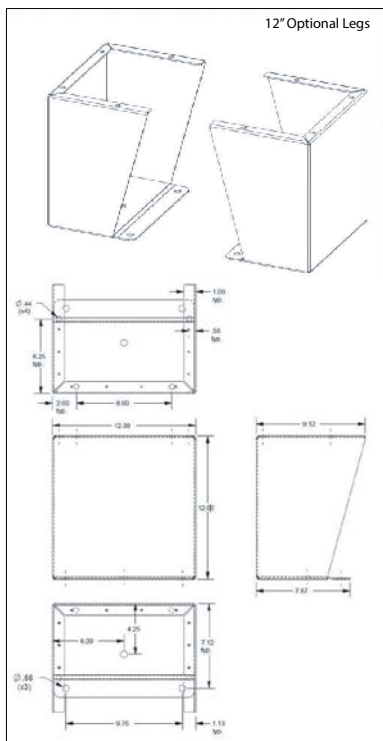
6 years against leakage /
2 years against defects in
workmanship & materials

rev. 2.2026 Due to our continuous process of engineering and technological advancement, specifications may change without notice.

Dimensions

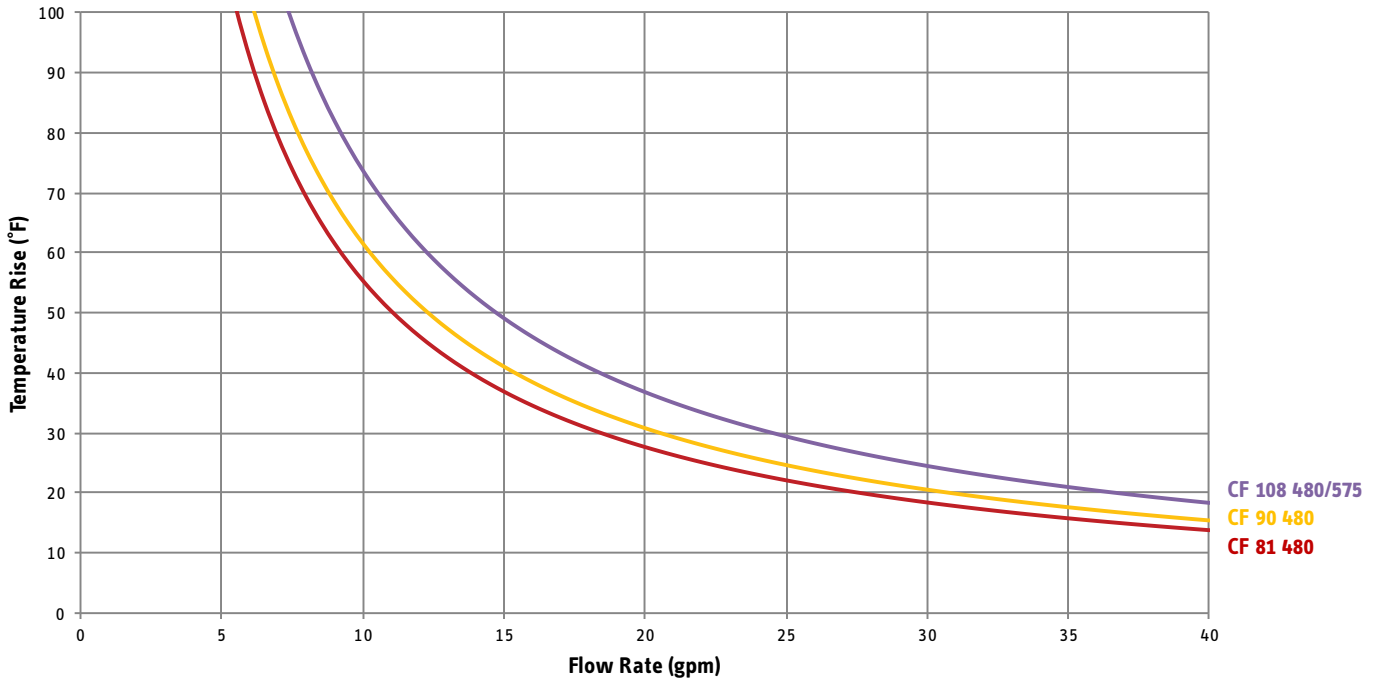


Dimensions for optional legs for NEMA 4 & 4X enclosures



rev. 2.2026 Due to our continuous process of engineering and technological advancement, specifications may change without notice.

Temperature Rise vs. Flow Rate



Pressure Drop vs. Flow Rate

