

STIEBEL ELTRON

CES Plus Series: 81 kW, 90 kW, 108 kW | NEMA 3, NEMA 4/4X Engineering Specification Sheet

Specifications

Model	CES Plus 81 kW, CES Plus 90 kW, CES Plus 108 kW
Phase	3-phase
Inlet/outlet pipe connection	1" female NPT
Heat exchanger material	316L stainless steel
Enclosure rating	NEMA 3 standard, NEMA 4/4X available
Operating pressure range	4-145 psi (0.28-10 bar)
Maximum temperature output	90 °F (32 °C)
Temperature adjustment range	60-90 °F (16-32 °C)
Temperature adjustment increment	1 °F (1 °C)
Number of heating elements	18
Minimum activation flow	2.7 gpm (10.2 l/m)
Maximum flow at 60 psi	40 gpm (151.4 l/m)



Model	Part Number	Voltage	Phase	kW	Amps	3P Breaker Size (A)	Temperature Rise °F				
							5 gpm	10 gpm	15 gpm	20 gpm	40 gpm
CES Plus 81 kW	CESPLUS-81-480	480	3-phase delta	81.07	97.52	110	>100	55	37	28	14
CES Plus 90 kW	CESPLUS-090-480	480	3-phase delta	90.00	108.25	125	>100	62	41	31	15
CES Plus 108 kW	CESPLUS-108-480	480	3-phase delta	108.0	129.9	150	>100	74	49	37	18
	CESPLUS-108-575	575	3-phase delta	108.2	108.6	125	>100	74	49	37	18



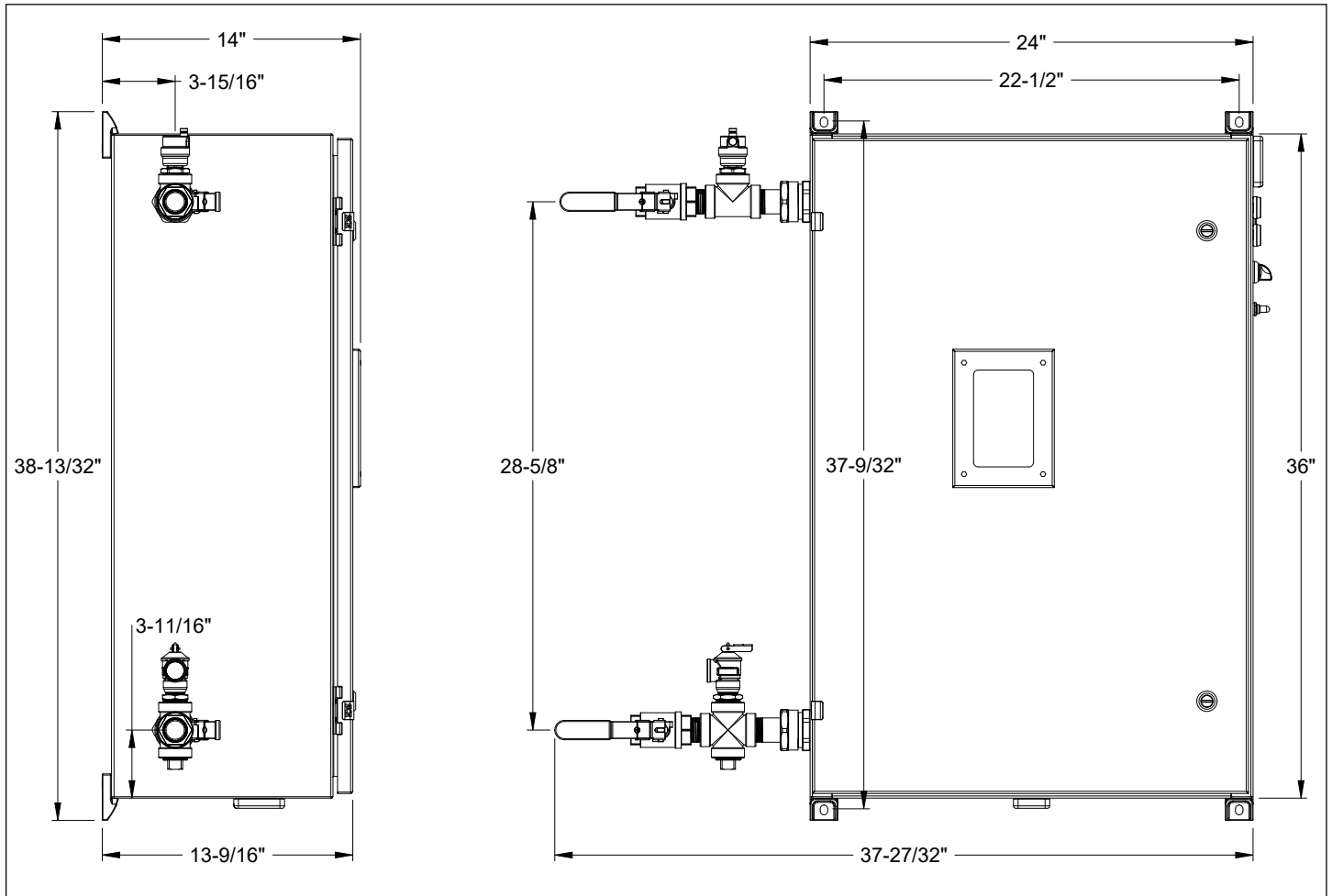
Certified to ANSI/UL Std. 499
Conforms to CAN/CSA
Std. C22.2 No.88



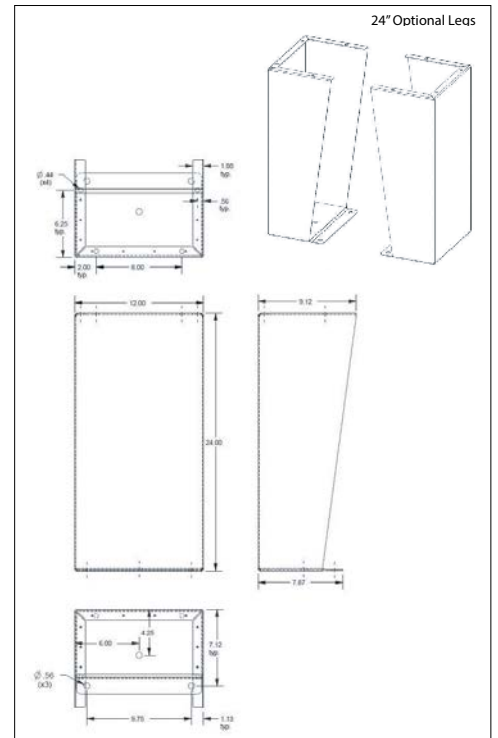
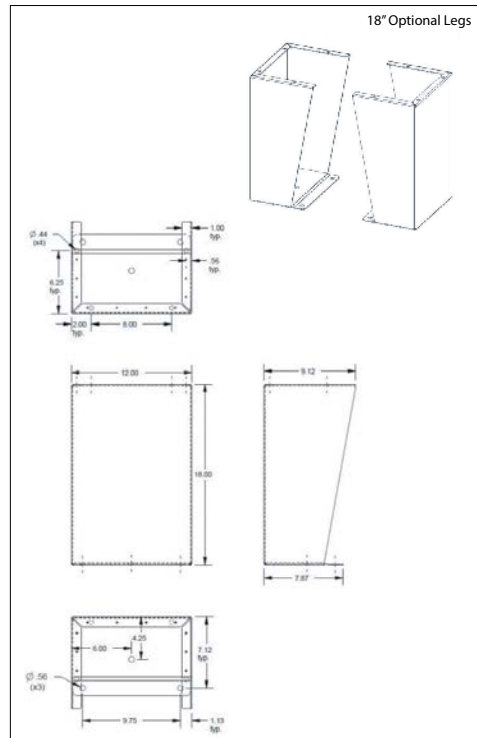
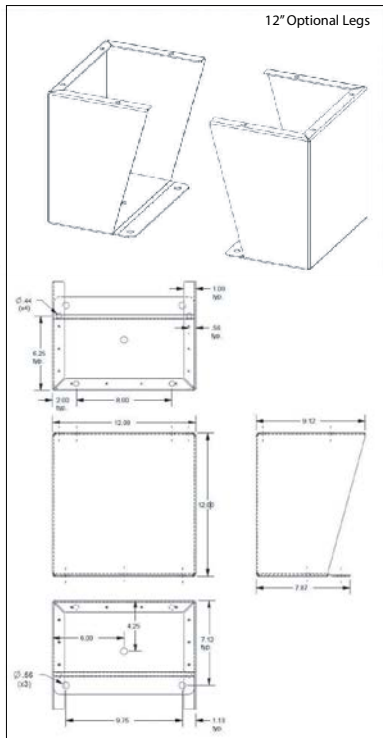
6 years against leakage /
2 years against defects in
workmanship & materials

rev. 2.2026 Due to our continuous process of engineering and technological advancement, specifications may change without notice.

Dimensions

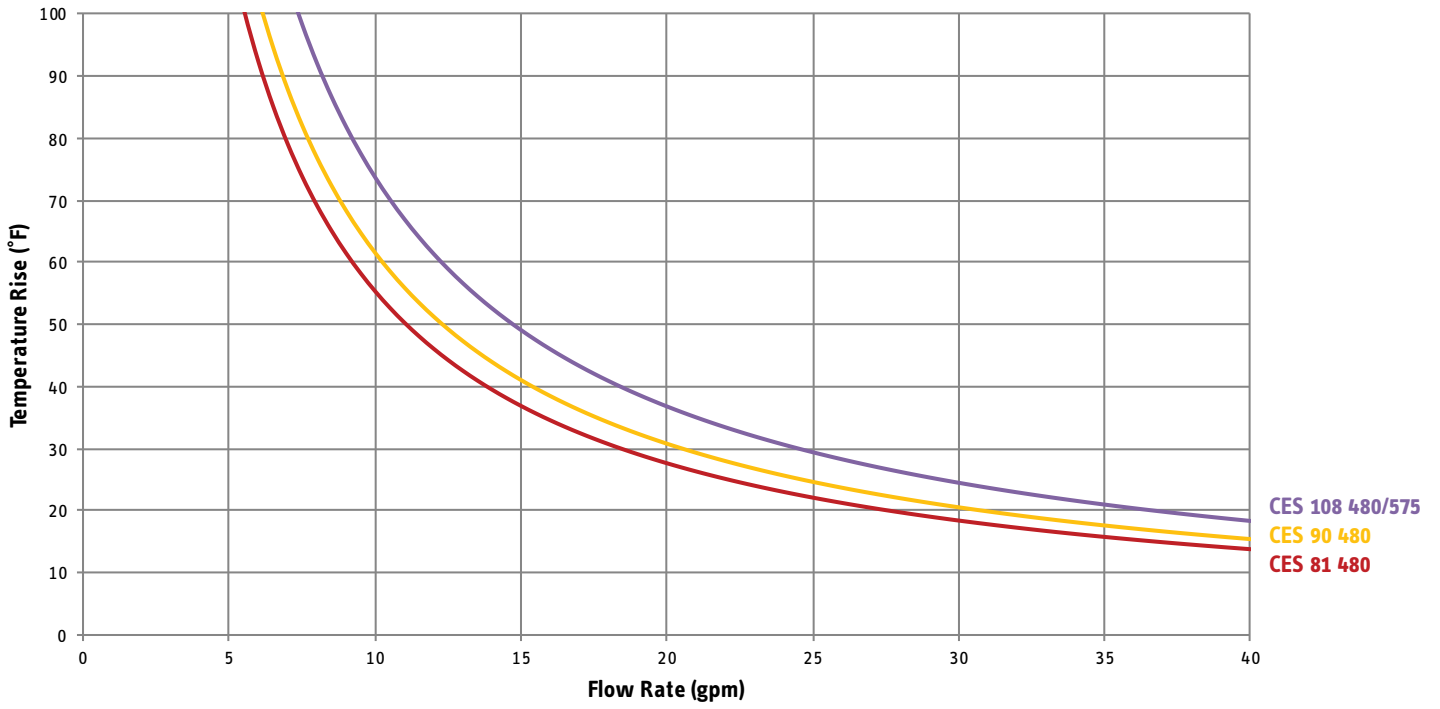


Dimensions for optional legs for NEMA 4 & 4X enclosures



rev. 2.2026 Due to our continuous process of engineering and technological advancement, specifications may change without notice.

Temperature Rise vs. Flow Rate



Pressure Drop vs. Flow Rate

