

# STIEBEL ELTRON

## CERO Plus Series: 120 kW, 144 kW | NEMA 3/4/4X Engineering Specification Sheet

### Specifications

<b>Model</b>	CERO Plus 120 kW, CERO Plus 144 kW
<b>Phase</b>	3-phase
<b>Inlet/outlet pipe connection</b>	1¼" female NPT
<b>Heat exchanger material</b>	316L stainless steel
<b>Enclosure rating</b>	NEMA 3 standard, NEMA 4/4X available
<b>Operating pressure range</b>	4-150 psi (0.27-10.3 bar)
<b>Maximum temperature output</b>	180 °F (82 °C)
<b>Temperature adjustment range</b>	60-180 °F (16-82 °C)
<b>Temperature adjustment increment</b>	1 °F (1 °C)
<b>Number of heating elements</b>	24
<b>Minimum activation flow</b>	2.7 gpm (10.2 l/m)
<b>Maximum flow at 60 psi</b>	40 gpm (151.4 l/m)



Model	Part Number	Voltage	Phase	kW	Amps	3P Breaker Size (A)	Temperature Rise °F <small>(gpm = kW x 6.83 / Δt)</small>				
							5 gpm	10 gpm	15 gpm	20 gpm	40 gpm
CERO Plus 120 kW	CEROPLUS-120-480	480	3-phase delta	120.00	144.34	175	>100	82	55	41	21
CERO Plus 144	CEROPLUS-144-480	480	3-phase delta	144.00	173.21	200	>100	98	66	49	25
	CEROPLUS-144-575	575	3-phase delta	144.00	144.59	175	>100	98	66	49	25



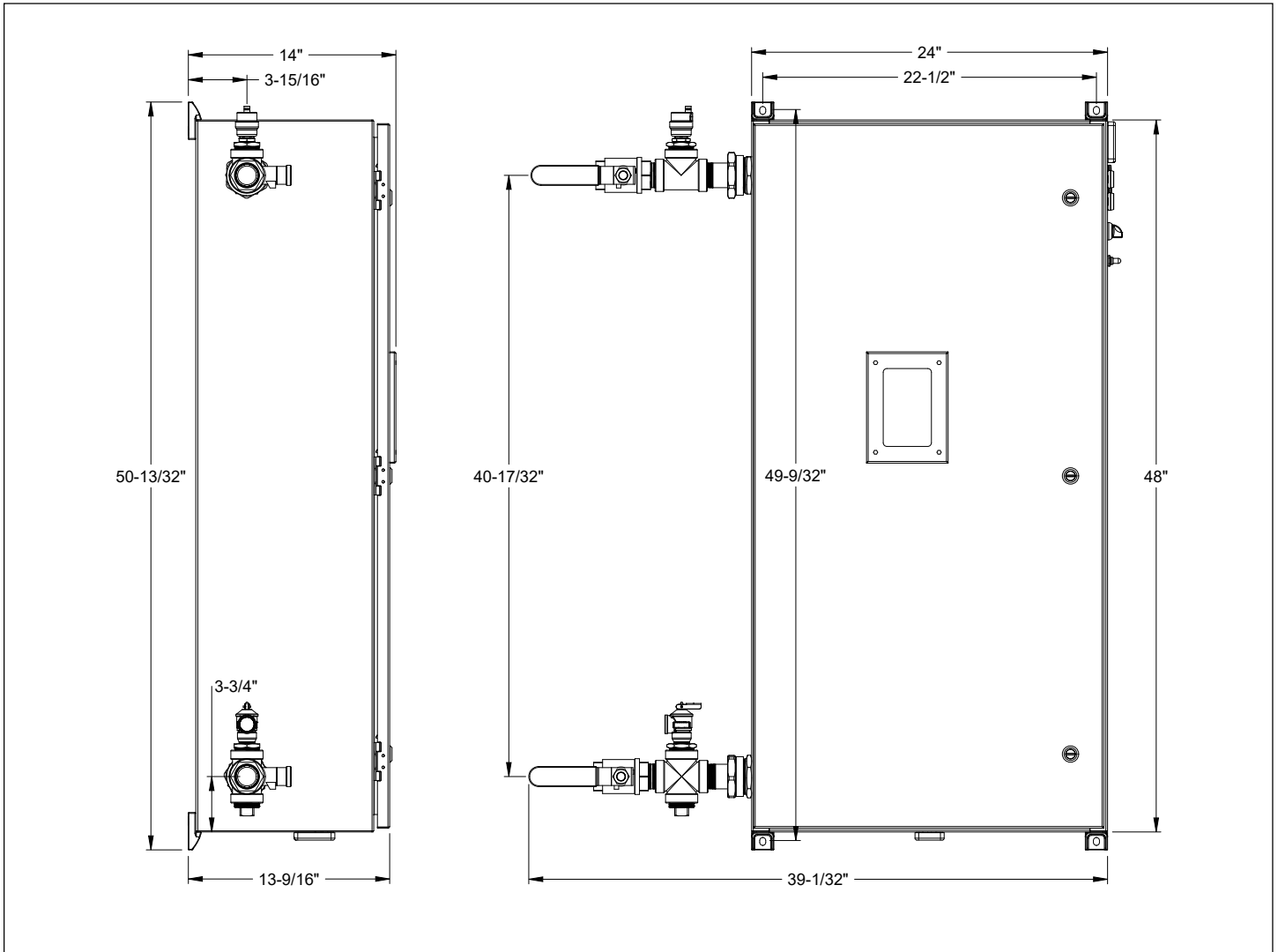
Certified to ANSI/UL Std. 499  
Conforms to CAN/CSA  
Std. C22.2 No.88



6 years against leakage /  
2 years against defects in  
workmanship & materials

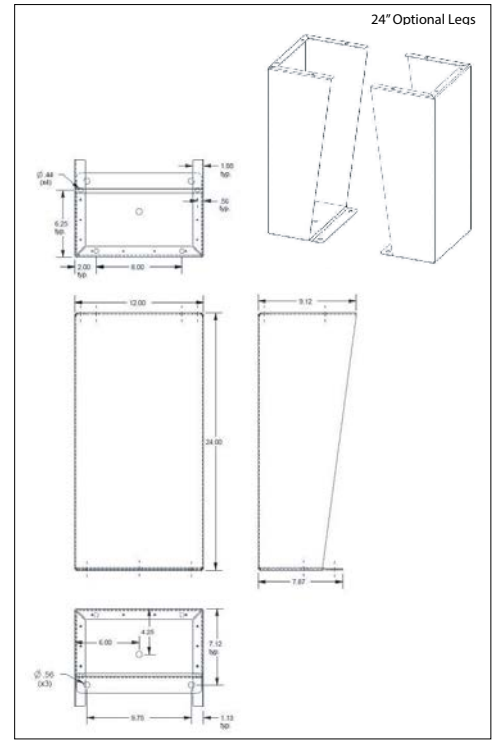
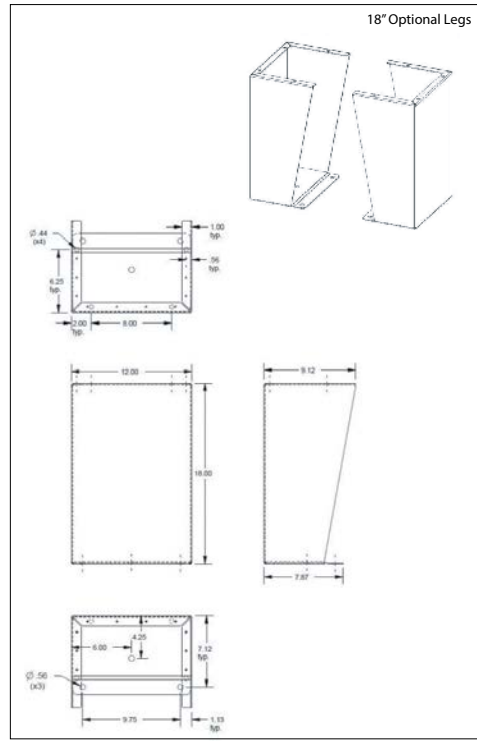
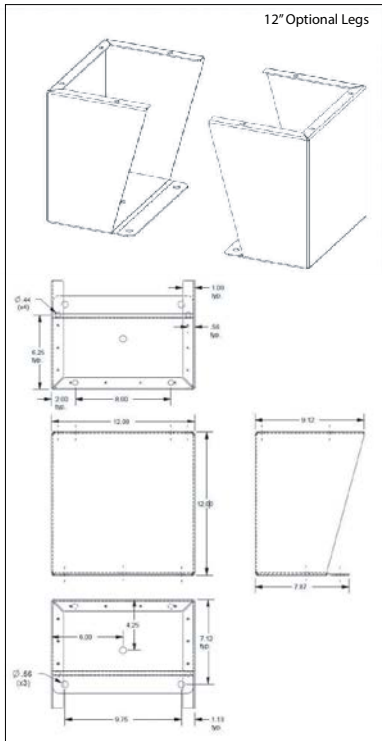
rev. 2.2026 Due to our continuous process of engineering and technological advancement, specifications may change without notice.

# Dimensions

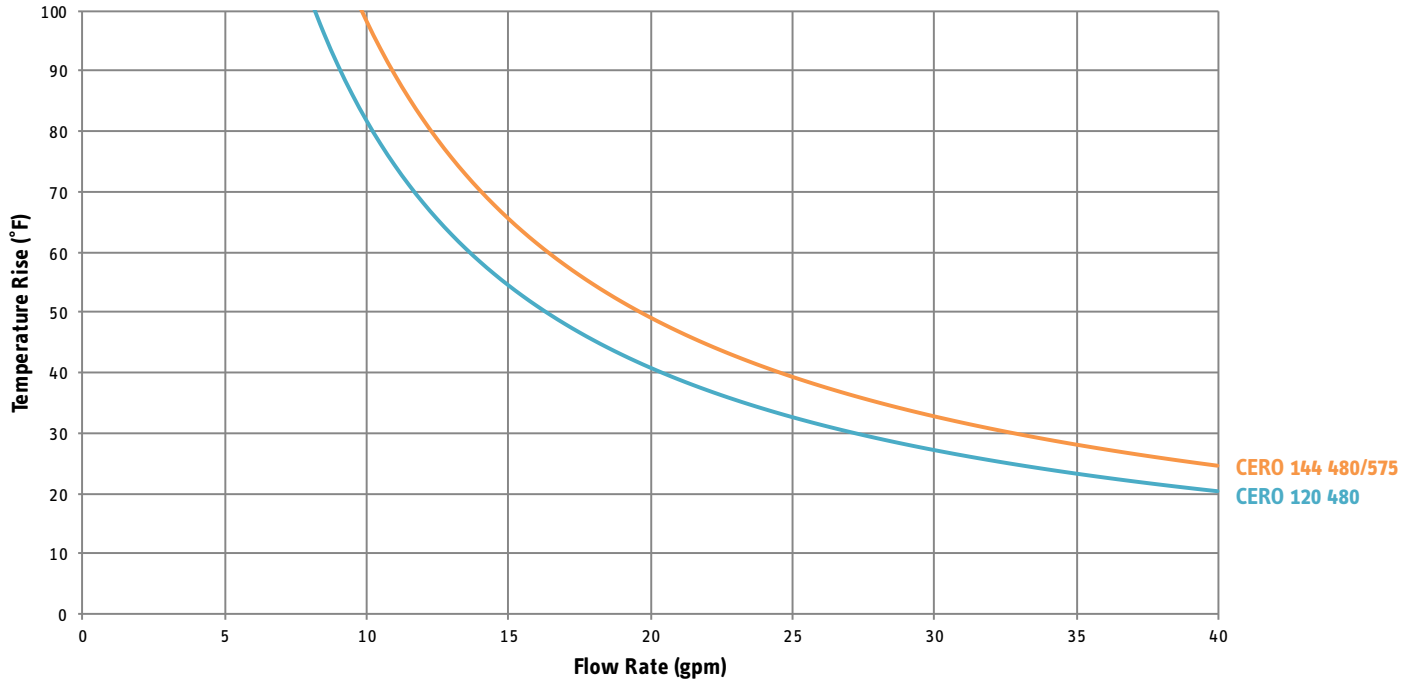


rev. 2.2026 Due to our continuous process of engineering and technological advancement, specifications may change without notice.

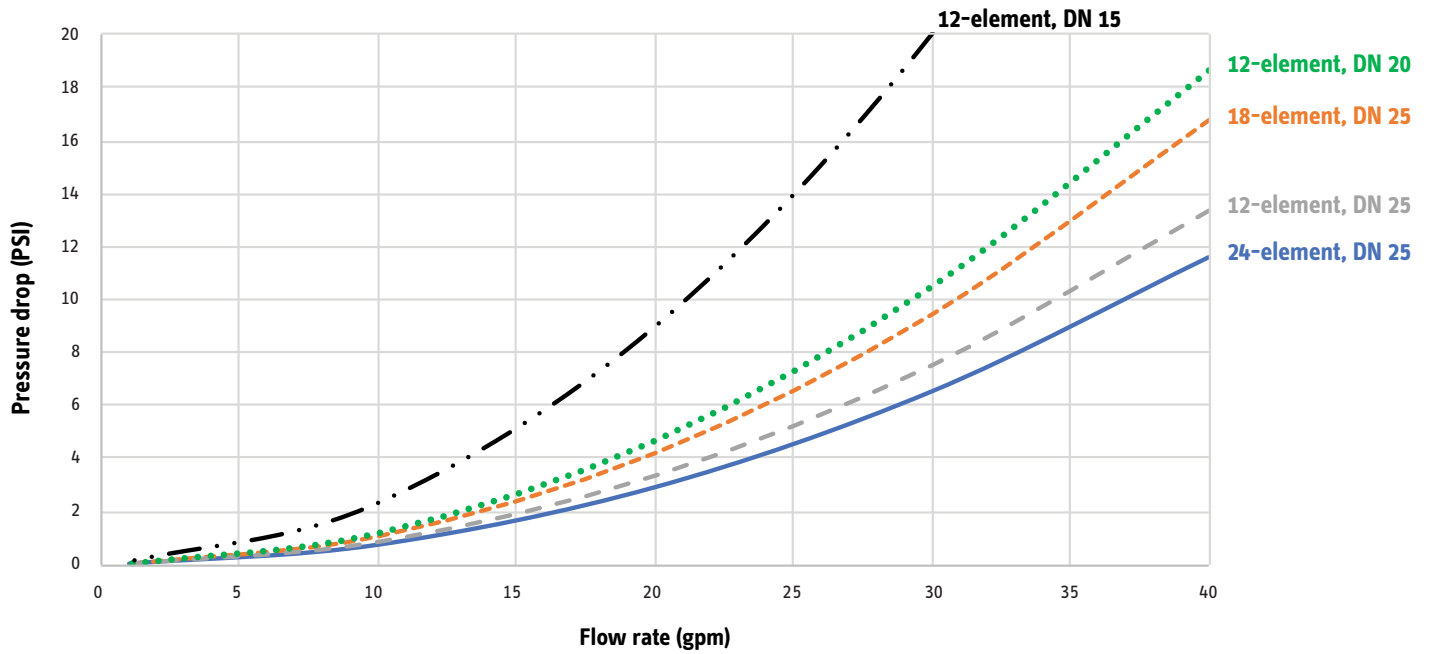
## Dimensions for optional legs for NEMA 4 & 4X enclosures



## Temperature Rise vs. Flow Rate



## Pressure Drop vs. Flow Rate



rev. 2.2026 Due to our continuous process of engineering and technological advancement, specifications may change without notice.