

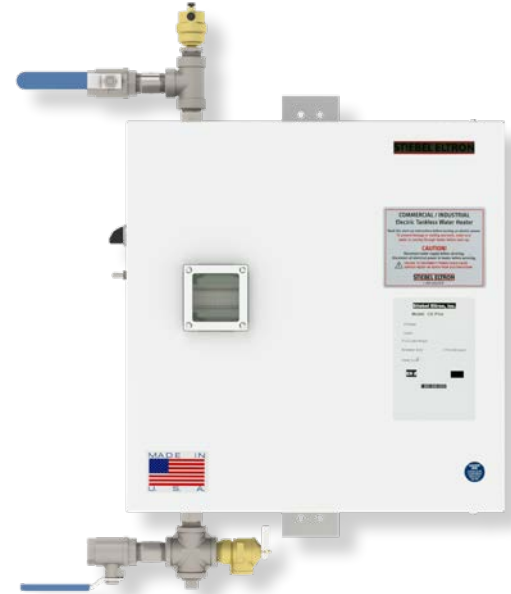
STIEBEL ELTRON

CERO Plus Series: 12 kW, 15 kW, 18 kW | NEMA 3 Engineering Specification Sheet

Specifications

Model	CERO Plus 12, kW CERO Plus 15 kW, CERO Plus 18 kW
Phase	3-phase
Inlet/outlet pipe connection	3/4" female NPT
Heat exchanger material	316L stainless steel
Enclosure rating	NEMA 3 shown, NEMA 4/4X available
Operating pressure range	4-145 psi (0.28-10 bar)
Maximum temperature output	180 °F (82 °C)
Temperature adjustment range	60-180 °F (16-82 °C)
Temperature adjustment increment	1 °F (1 °C)
Number of heating elements*	3
Minimum activation flow	0.7 gpm (2.7 l/m)
Maximum flow at 60 psi	10.6 gpm (40 l/m)

*CEROPLUS-018-480D is a 6-element Delta heater. The enclosure is larger than other 18 kW heaters. See dimensions on pg. 3.



Model	Part Number	Voltage	Phase	kW	Amps	3P Breaker Size (A)	Temperature Rise °F				
							1 gpm	2 gpm	3 gpm	4 gpm	5 gpm
CERO Plus 12 kW	CEROPLUS-012-208	208	3-phase delta	10.15	28.17	35	69	35	23	17	14
	CEROPLUS-012-240	240	3-phase delta	12.50	30.07	35	86	43	29	21	17
	CEROPLUS-012-480Y	480	3-phase wye	11.10	13.35	15	76	38	25	19	15
CERO Plus 15 kW	CEROPLUS-015-208	208	3-phase delta	13.52	37.53	45	92	46	31	23	18
	CEROPLUS-015-240	240	3-phase delta	13.51	32.51	40	92	46	31	23	18
	CEROPLUS-015-480Y	480	3-phase wye	16.65	20.03	25	>100	57	38	28	23
CERO Plus 18 kW	CEROPLUS-018-208	208	3-phase delta	18.00	49.96	60	>100	62	42	31	25
	CEROPLUS-018-240	240	3-phase delta	18.00	43.30	50	>100	62	42	31	25
	CEROPLUS-018-480Y	480	3-phase wye	16.66	20.04	25	>100	57	38	28	23
	CEROPLUS-018-480D	480	3-phase delta	18.00	21.65	25	>100	61	41	31	25



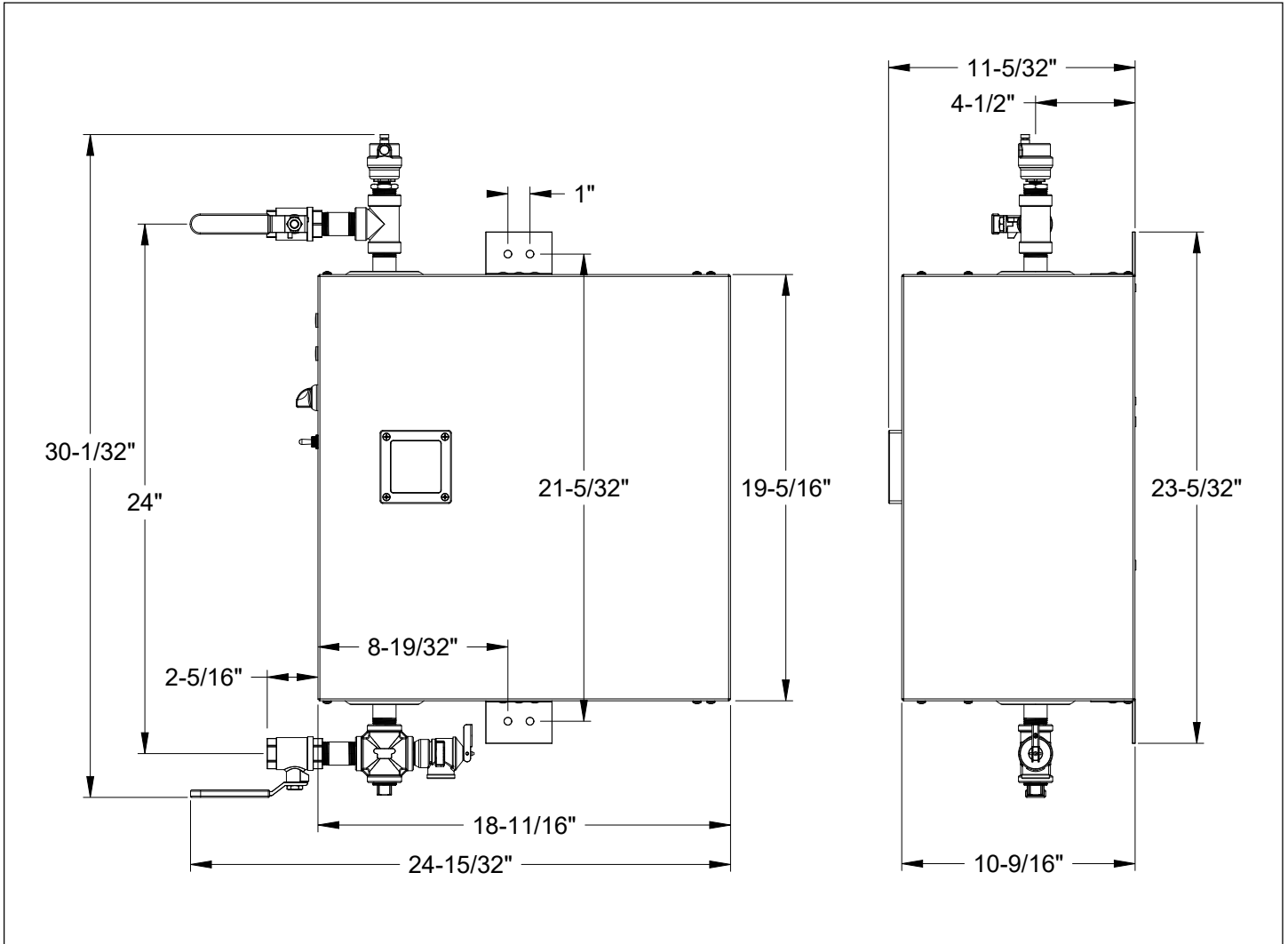
Certified to ANSI/UL Std. 499
Conforms to CAN/CSA
Std. C22.2 No.88



6 years against leakage /
2 years against defects in
workmanship & materials

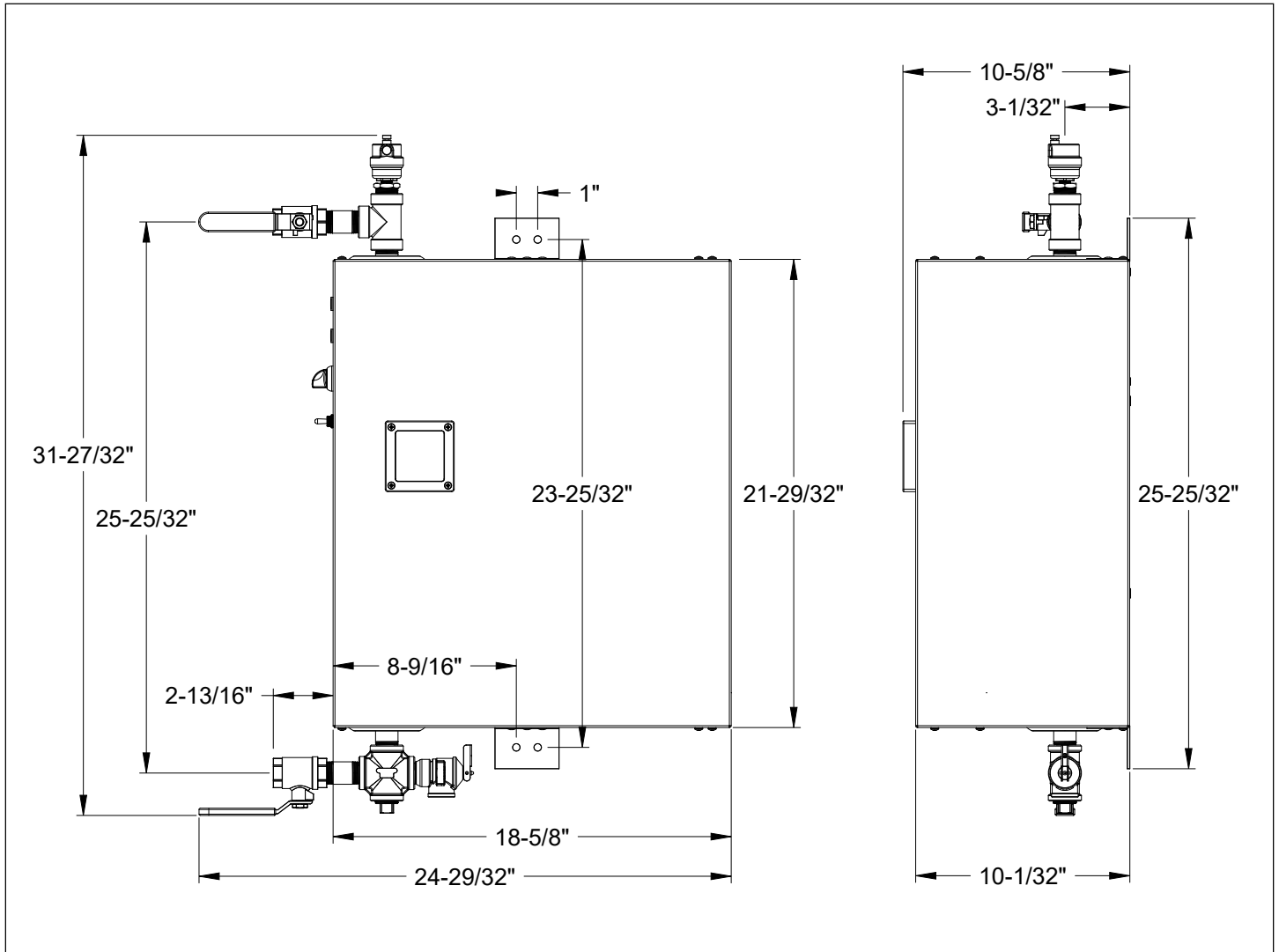
rev. 2.2026 Due to our continuous process of engineering and technological advancement, specifications may change without notice.

Dimensions - all models except CER0PLUS-018-480D

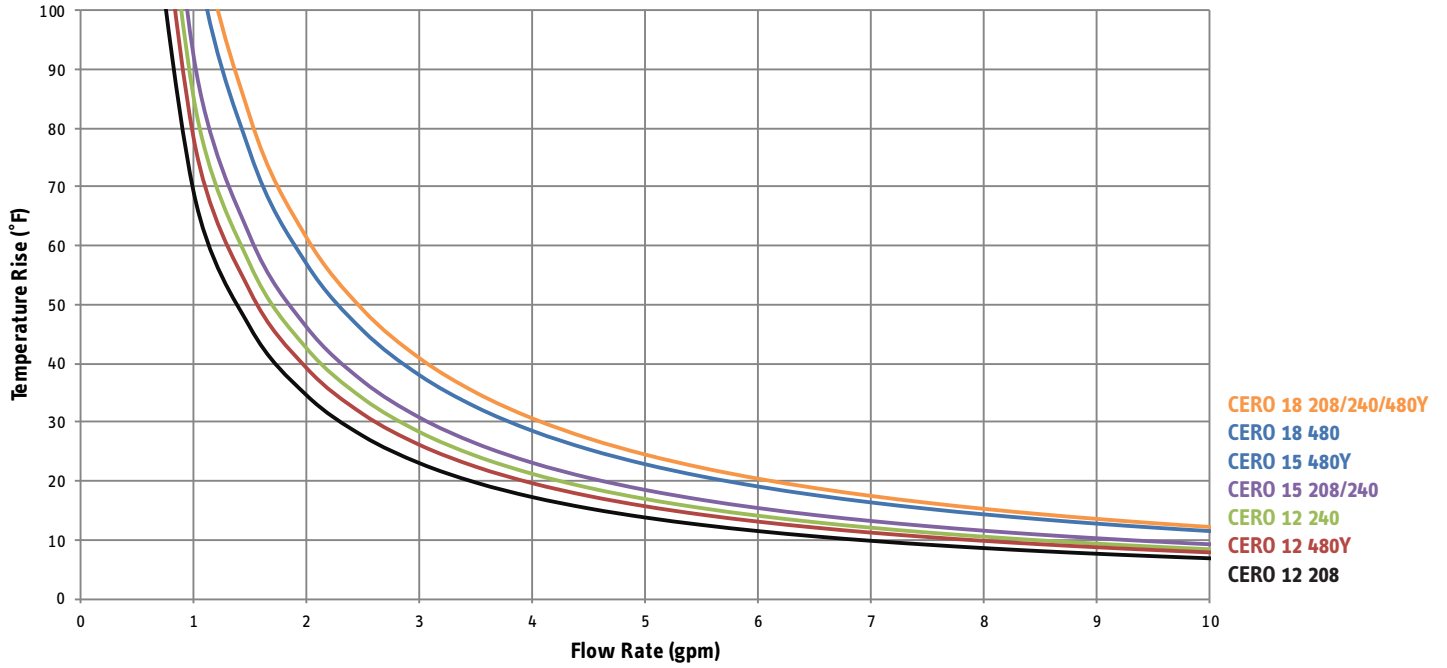


rev. 2.2026 Due to our continuous process of engineering and technological advancement, specifications may change without notice.

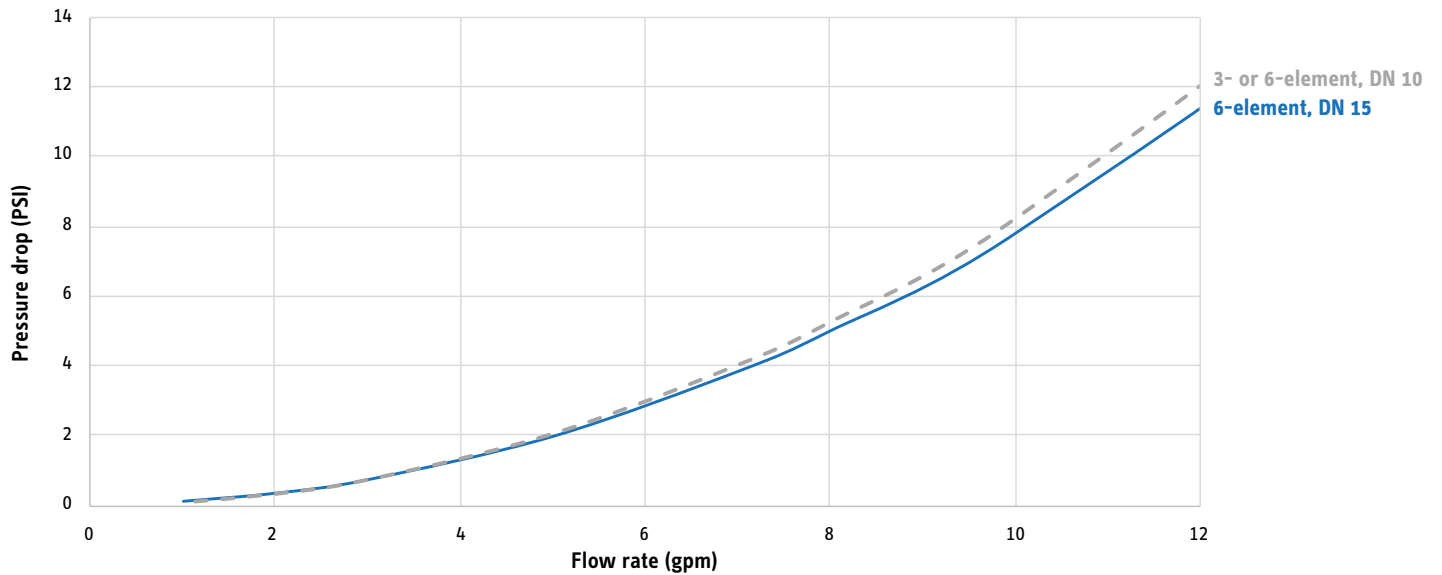
CEPLUS-018-480D dimensions



Temperature Rise vs. Flow Rate



Pressure Drop vs. Flow Rate



rev. 2.2026 Due to our continuous process of engineering and technological advancement, specifications may change without notice.