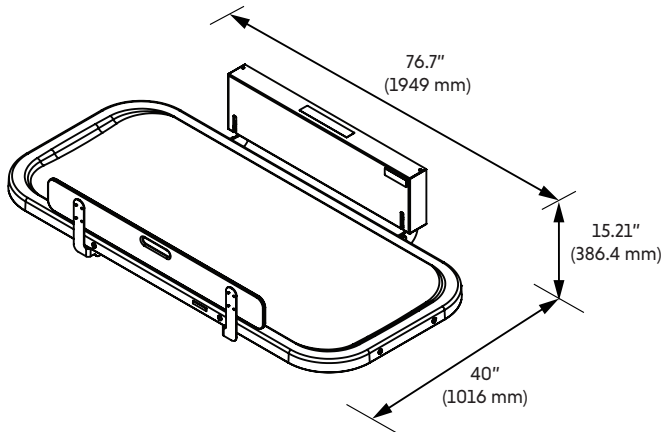


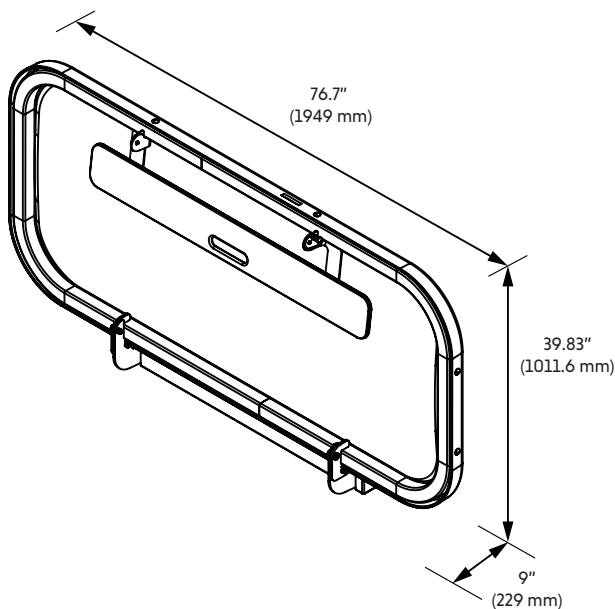
**Model 75HS0206
Attend 76 Adult Changing Table**



- Designed and engineered to meet the standards in the International Building Code (IBC)
- Easy to read ANSI compliant labels (ANSI 2535.3 and ANSI 2535.4)
- Pneumatic gas shock mechanisms to ensure smooth, safe open and close motions.
- Overall usable table surface size of 76.7" x 34.9".
- Designed for people with disabilities who are 6'2" tall or shorter.
- Limited Warranty: This product is warranted against manufacturing defects for a period of 5 years.

Short Specifications

1. Acceptable product: The Sova Company; Model 75HS0206 (Attend 76 Adult Changing Table)
2. Characteristics:
 - a. 304 Brushed stainless steel shroud
 - b. Vacuum formed ABS changing surface
 - c. Powder coated steel frame
 - d. Hinged tray guard
3. Load rating of up to 500lbs (226 kg)
4. Tested to ASTM 2285 excluding section 6.2.



Installation Information

- Reference Pre-Installation Guide and Assembly Instructions for more detailed information, including recommended blocking.
- Closed unit projects from wall 9 inches (229 mm).
- Open changing surface projects 40 inches (1016 mm).