

Hydraulic Flushometer Push Button Actuator

HY-100-A

Metal Button Fixture Wall (MBFW Variation)



Description

Metal Button Fixture Wall (MBFW) Push Button Assembly for use with Sloan Series 900 Hydraulic Flushometers. Recommended for installation on Stainless Steel Prison Fixtures and other locations where extreme vandalism is a concern. Requires access behind the wall for installation and servicing.

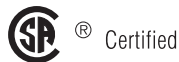
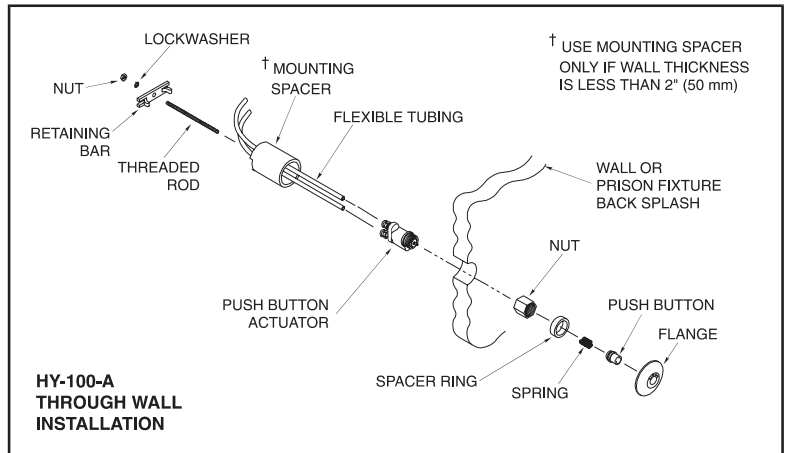
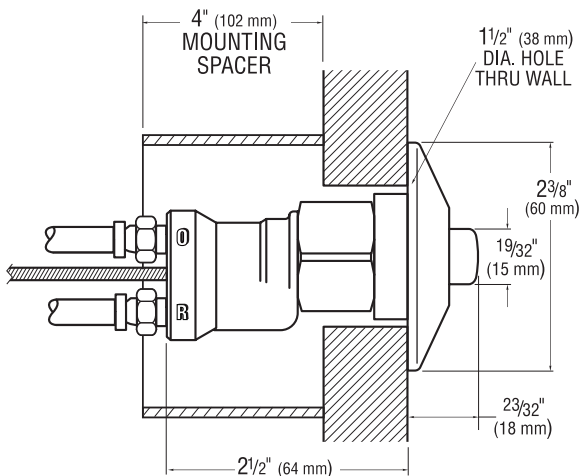
Specifications

Hydraulically Operated Push Button Assembly that includes the following features:

- ADA Compliant Non-Hold-Open feature type Actuator
- Spring Loaded, Metal Button
- Wall Clamp and Threaded Rod for through the wall installation (for walls up to 8" (200 mm) thick) — Spacer provided for walls less than 2" (50 mm) thick
- Two 48" (1219 mm) long flexible tubing for connection to Sloan Series 900 Hydraulic Flushometer

See Prison Flushometer section of the Sloan catalog for details on Hydraulically Operated Prison Flushometers.

See Accessories Section of the Sloan catalog for details on these and other Flushometer variations.



This space for Architect/Engineer approval

The information contained in this document is subject to change without notice.

SLOAN®

Made in the U.S.A.

SLOAN VALVE COMPANY • 10500 SEYMOUR AVE. • FRANKLIN PARK, IL. 60131

Ph: 1-800-9-VALVE-9 or 1-847-671-4300 • Fax: 1-800-447-8329 or 1-847-671-4380

<http://www.sloanvalve.com>