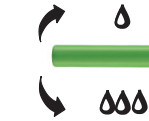


UPPERCUT®

The Fastest Way to Start Saving Water!

HET
HIGH-EFFICIENCY TOILET

UP for liquid waste



Down for solid waste



Dual-Flush Flushometer

WES-115

Description

Exposed Water Closet Flushometer with Dual Flush Feature, for floor mounted or wall hung top spud bowls.

Flush Cycle

WES-115 High-Efficiency (Down 1.6 gpf/6.0 Lpf, Up 1.1 gpf/4.2 Lpf)

Specifications

Dual Flush, Quiet, Exposed, Diaphragm Type, Chrome Plated Closet Flushometer with the following features:

- Lifting handle UP initiates reduced flush (1.1 gpf/4.2 Lpf), eliminating liquid and paper waste, saving a ½-gallon of water
- Pushing handle DOWN initiates full flush (1.6 gpf/6.0 Lpf), eliminating all waste
- Reduces water volume by up to 30% when activated UPWARDS
- Antimicrobial Coating protects handle*
- PERMEX® Synthetic Rubber Diaphragm with Dual Filtered Fixed Bypass
- Distinctive Green ADA Compliant Metal Non-Hold-Open Handle with Triple Seal Handle Packing signifies Water Conserving Device
- 1" I.P.S. Screwdriver Bak-Chek® Angle Stop with Free Spinning Vandal Resistant Stop Cap
- Adjustable Tailpiece
- High Back Pressure vacuum breaker flush connection w/ one-piece bottom hex coupling nut
- Spud Coupling and Flange for 1-1/2" Top Spud
- Sweat Solder Adapter with Cover Tube and Cast Set Screw Wall Flange
- High Copper, Low Zinc Brass Castings for Dezincification Resistance
- Non-Hold-Open Handle, Fixed Metering Bypass and No External Volume Adjustment to Ensure Water Conservation
- Flush Accuracy Controlled by CID Technology
- Diaphragm, Handle Packing, Stop Seat and Vacuum Breaker molded from PERMEX Rubber Compound for Chloramine Resistance
- Includes (2) adhesive backed Metal Wall Plates etched with Instructions

Valve Body, Cover, Tailpiece and Control Stop shall be in conformance with ASTM Alloy Classification for Semi-Red Brass. Valve shall be in compliance to the applicable sections of ASSE 1037.

* Antimicrobial coating does not protect users or others against disease-causing bacteria.

Variations

- O** Offset Vacuum Breaker, **Specify:** 1" - 1½" - 2"
- YK** Solid Ring Pipe Support

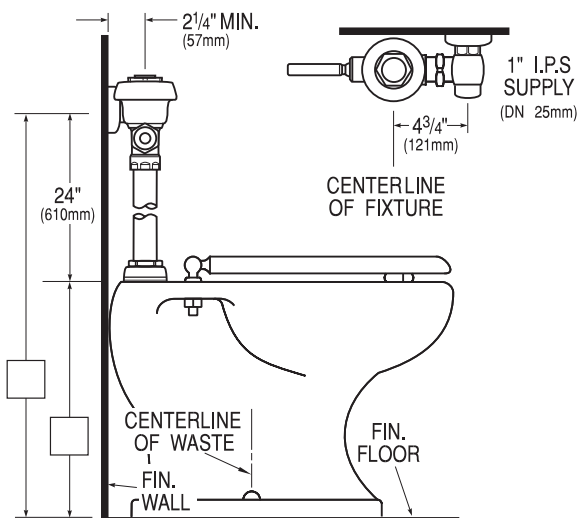
Accessories

See Accessories Section of the Sloan catalog for details on these and other flushometer variations.

Fixtures

Consult Sloan for Sloan brand matching fixture options

Manufactured in the U.S.A. by Sloan Valve Company under one or more of the following patents: 7,607,635; 8,033,522; 8,042,787. Other Pats. Pending.



!!! IMPORTANT !!!

WHEN MOUNTED ON AN ADA ACCESSIBLE BOWL, THE ROUGH-IN TO THE SUPPLY INLET SHOULD BE NO HIGHER THAN 37½" OR THE HANDLE WILL EXCEED MAXIMUM HEIGHT ALLOWANCES UNDER ADA GUIDELINES.

NEW ADAAG GUIDELINES ALLOW FOR SPLIT OR OFFSET GRAB BARS, CHECK WITH LOCAL AUTHORITIES OR REFERENCE SECTION 604.5.2 OF ADAAG.



Patent Pending

This space for Architect/Engineer approval

The information contained in this document is subject to change without notice.

SLOAN®

SLOAN • 10500 SEYMOUR AVENUE • FRANKLIN PARK, IL 60131
Ph: 1-800-9-VALVE-9 • Fax: 1-800-447-8329 • www.sloanvalve.com