

186 HEU SFSM HW

Single-Flush Side Mount Hardwired

Description

Exposed, AC-powered, sensor-activated, high-efficiency urinal flushometer with a single-flush side mount unit for 3/4" top spud urinals.

Flush Cycle

- Sloan 186-0.125 SFSM HW High-Efficiency (0.125 gpf/0.5 Lpf)
Code: 3782695
- Sloan 186-0.25 SFSM HW High-Efficiency (0.25 gpf/1.0 Lpf)
Code: 3782694
- Sloan 186-0.5 SFSM HW High-Efficiency (0.5 gpf/1.9 Lpf)
Code: 3782693

Specifications

Quiet, exposed, diaphragm-type, chrome plated urinal flushometer with the following features:

- PERMEX[®] High-Efficiency Synthetic Rubber Diaphragm with Linear Filtered Bypass with Vortex Cleansing Action™
- ADA Compliant AC-powered infrared side mount sensor for automatic "No Hands" operation
- Chrome plated infrared sensor housing
- Can be mounted on either left or right side of valve
- True Mechanical Override Flush button
- "User in View" flashing LED
- 72-Hour sentinel flush
- Infrared sensor range adjustment screw and reset button
- 3/4" IPS screwdriver Bak-Chek[®] angle stop with vandal resistant stop cap
- Adjustable tailpiece
- High back pressure vacuum breaker flush connection with one-piece bottom hex coupling nut
- Spud coupling and flange for 3/4" top spud
- Sweat solder adapter with cover tube and cast wall flange with set screw
- High copper, low zinc brass castings for dezincification resistance
- No external volume adjustment to ensure water conservation
- Diaphragm, stop seat and vacuum breaker molded from PERMEX rubber compound for chloramine resistance

Valve body, tailpiece and control stop shall be in conformance with ASTM Alloy Classification for semi-red brass. Valve shall be in compliance with the applicable sections of ASSE 1037, ASME 112.18, ASME 112.19, ANSI 117.1. Installation conforms to ADA requirements.

Variation

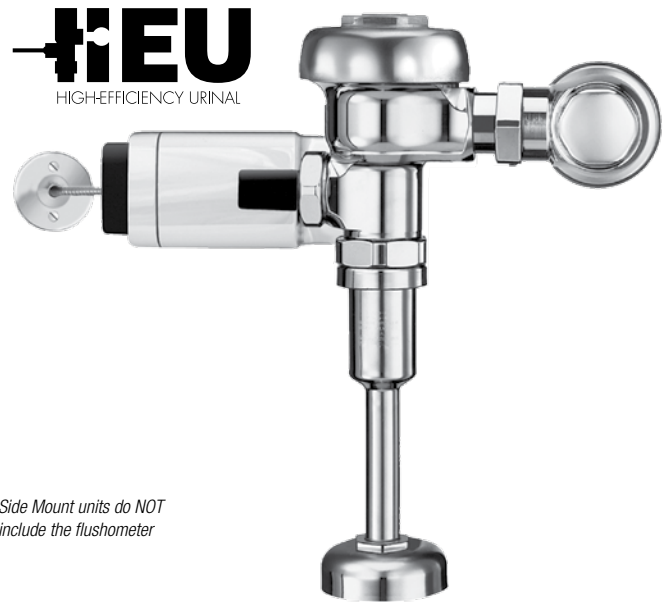
- DFB** Dual-Filtered Fixed Bypass Diaphragm **(0.5 gpf ONLY)**

Accessories (specify separately)

- EL-386** 120 VAC Input/6 VAC Output, 50/60 Hz (3 VA) Plug-In (will operate 1 unit)
- EL-451** 120 VAC Input/6 VAC Output, 50/60 Hz (25 VA) Box Mount (will operate up to 6 units)

Fixtures

Consult Sloan for Sloan brand matching fixture options.



Side Mount units do NOT include the flushometer

Smart Sense Technology™

Sloan's SFSM flushometers are equipped with Smart Sense Technology™, which applies extended range and logic techniques to significantly reduce water usage in high-use urinal applications; such as when a continuous line of people (queue) forms. In fact, during a continuous queue, the urinal will only flush after every fifth user.

Automatic

Sloan's SFSM flushometers are activated via multi-lobular infrared sensor. The sensor sets the flushing mechanism when the user is detected and completes the flush when the user steps away.

Manual Operation

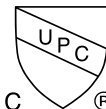
Sloan's SFSM flushometers can also be activated manually by pushing the black TMO button.

Hygienic

Touchless, sensor activation eliminates the need for user contact except to initiate the True Mechanical Override Button when required, to help control the spread of infectious diseases. The 72-Hour Sentinel Flush keeps fixture fresh during periods of non-use.

Warranty

3 year (limited)



This space for Architect/Engineer approval

Job Name _____	Date _____
Model Specified _____	Quantity _____
Variations Specified _____	
Customer/Wholesaler _____	
Contractor _____	
Architect _____	

186 HEU SFSM HW

Single-Flush Side Mount Hardwired

Description

Exposed, AC-powered, sensor-activated, high-efficiency urinal flushometer with a single-flush side mount unit for 3/4" top spud urinals.

Flush Cycle

- Sloan 186-0.125 SFSM HW High-Efficiency (0.125 gpf/0.5 Lpf)
Code: 3782695
- Sloan 186-0.25 SFSM HW High-Efficiency (0.25 gpf/1.0 Lpf)
Code: 3782694
- Sloan 186-0.5 SFSM HW High-Efficiency (0.5 gpf/1.9 Lpf)
Code: 3782693

Electrical Specifications

Control Circuit

Solid State
6 VAC/7.6 VDC Input
72-Hour Sentinel Flush

Urinal Range: 1-2 seconds Arming Delay

Sensor Type

Infrared Convergence Type
Object Lock Detection

Sensor Range

Factory Set at: 22-42" (559-1067 mm)
If converted to urinal range setting:
15-30" (380-762 mm)

Transformer

Sloan Part # EL-386 (Plug-In)
120 VAC Input/6 VAC Output, 50/60 Hz
(3 VA)

Sloan Part # EL-451 (Box Mount)
120 VAC Input/6 VAC Output, 50/60 Hz
(25 VA)

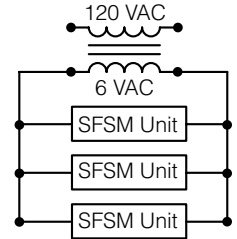
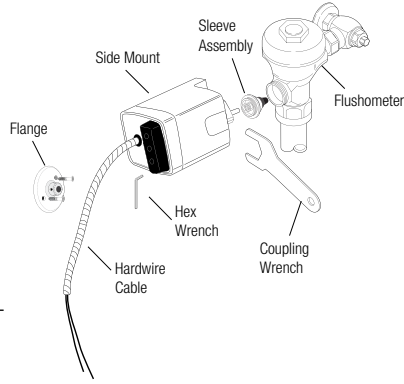
Indicator Lights

User in view

Valve Operating Pressure (Flowing)

25-80 PSI (172-552 kPa)

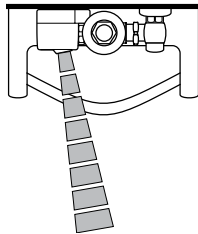
Side Mount Components



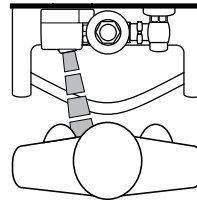
One EL-386 transformer serves one (1) SFSM closet/urinal flushometer. One EL-451 transformer serves up to six (6) SFSM closet/urinal flushometers. Specify part number and number of transformers required accordingly.

Operation

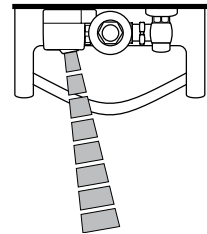
1. A continuous, invisible light beam is emitted from the object infrared sensor.



2. As the user enters the beams effective range, 22-42" (559-1067 mm), the object lock infrared sensor senses the user.

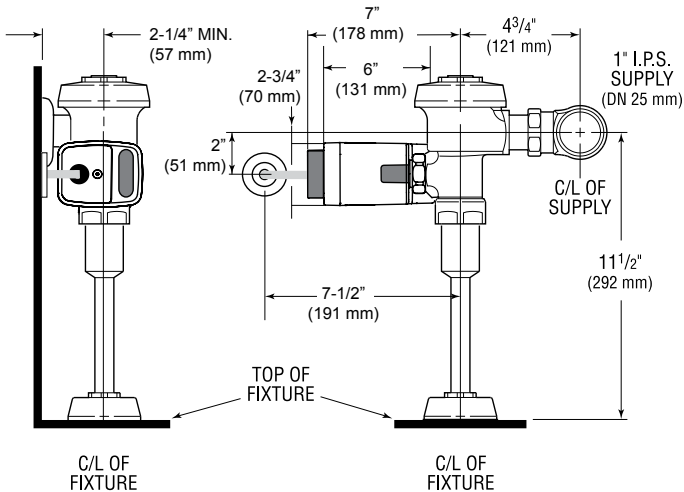


3. When the user steps away from the object lock infrared sensor, the circuit initiates the flushing cycle to flush the fixture. The circuit then automatically resets and is ready for the next user.

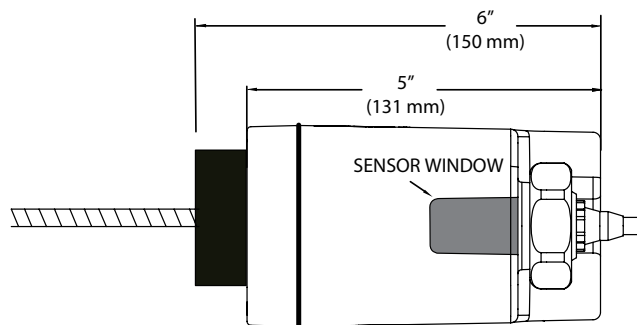


Rough-In

EL-700-A Single-Flush Side Mount Hardwired unit shown on a Sloan 186 urinal flushometer



Side Mount Hardwired Unit Dimensions



Headquarters

10500 Seymour Avenue
Franklin Park, IL 60131
P: 847.671.4300 / 800.9.VALVE.9
F: 847.671.4380 / 800.447.8329