

# Slimline® Bedpan Washer Model Flushometer

# BPW 1105



## Description

Royal® Slimline® Bedpan Washer Water Closet Flushometer with Deoseptic Unit, for floor mounted or wall hung top spud bowls. Installation meets ADA height requirements.

## Flush Cycle

- Model BPW-1105-1.6 Low Consumption (1.6 gpf/6.0 Lpf)
- Model BPW-1105 Water Saver (3.5 gpf/13.2 Lpf)

## Specifications

Quiet, Exposed, Diaphragm Type, Chrome Plated Closet Flushometer with the following features:

- Dual Filtered Bypass
- ADA Compliant Metal Oscillating Non-Hold-Open Handle with Triple Seal Handle Packing
- 1" I.P.S. Screwdriver Bak-Chek® Angle Stop
- Free Spinning Vandal Resistant Stop Cap
- Adjustable Tailpiece
- High Back Pressure Vacuum Breaker Flush Connection with One-piece Bottom Hex Coupling Nut
- Spud Coupling and Flange for 1½" Top Spud
- Sweat Solder Adapter w/Cover Tube & Cast Wall Flange w/Set Screw
- Diaphragm, Handle Packing, Stop Seat and Vacuum Breaker molded from PERMEX® rubber compound for Chloramine resistance

Bedpan Washer Diverter Assembly with the following features:

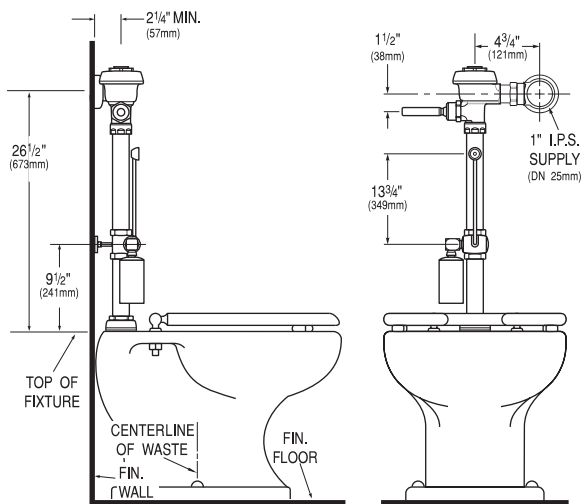
- Deoseptic Unit with 16 oz. (473 ml) Reservoir Bottle
- Solid One-piece Body Construction
- Solid Brass Spray Arm
- Counter Balanced Pivot Assembly
- Diverter Valve Wall Support

Valve Body, Cover, Tailpiece and Control Stop shall be in conformance with ASTM Alloy Classification for Semi-Red Brass. Valve shall be in compliance to the applicable sections of ASSE 1037 and ANSI/ASME A112.19.2.

## Variations

- YI** Two Wall Bumpers (for open front seat without cover)
- SG** SaniGuard® Antimicrobial Coating Protects Handle and Spray Arm\*

\* SaniGuard does not protect users or others against disease-causing bacteria.



Made In The  
**USA**



This space for Architect/Engineer approval

Job Name \_\_\_\_\_ Date \_\_\_\_\_

Model Specified \_\_\_\_\_ Quantity \_\_\_\_\_

Variations Specified \_\_\_\_\_

Customer/Wholesaler \_\_\_\_\_

Contractor \_\_\_\_\_

Architect \_\_\_\_\_

The information contained in this document is subject to change without notice.

**SLOAN**

SLOAN • 10500 SEYMOUR AVENUE • FRANKLIN PARK, IL 60131

Ph: 1-800-982-5839 • Fax: 1-800-447-8329 • www.sloanvalve.com