

Slimline® BPW 1040

Bedpan Washer Model Flushometer

Description

Royal® Slimline® Bedpan Washer Water Closet Foot Pedal Flushometer, for floor mounted or wall hung top spud bowls.

Flush Cycle

- Model BPW-1040-1.6 Low Consumption (1.6 gpf/6.0 Lpf)
- Model BPW-1040 Water Saver (3.5 gpf/13.2 Lpf)

Specifications

Quiet, Exposed, Diaphragm Type, Chrome Plated Closet Flushometer with the following features:

- Dual Filtered Bypass
- Metal Non-Hold-Open Foot Pedal with Triple Seal Handle Packing
- 1" I.P.S. Screwdriver Bak-Chek® Straight Stop
- Free Spinning Vandal Resistant Stop Cap
- Ground Joint Tailpiece
- 1" Female Outlet, 1" Street Ell, Casing and Wall Flange to cover 1" pipe
- 1½" Elbow Flush Connection from wall to 1½" Vacuum Breaker
- High Back Pressure Vacuum Breaker Flush Connection
- Spud Coupling and Flange for 1½" Exposed Top Spud
- Sweat Solder Adapter w/Cover Tube & Cast Wall Flange w/Set Screw
- Diaphragm, Handle Packing, Stop Seat and Vacuum Breaker molded from PERMEX® rubber compound for Chloramine resistance

Bedpan Washer Diverter Assembly with the following features:

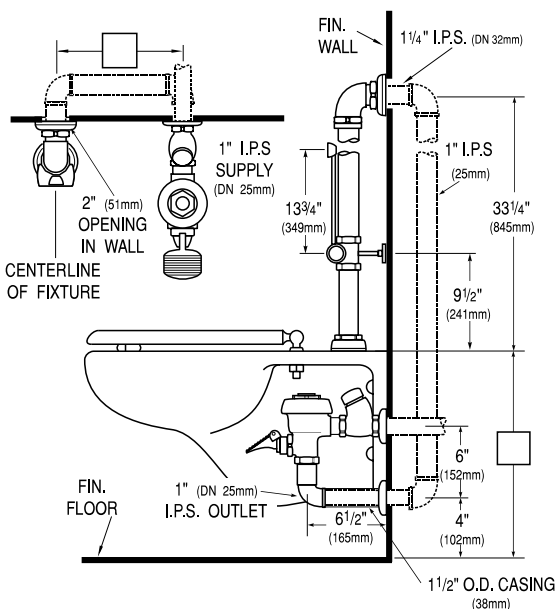
- Solid One-piece Body Construction
- Solid Brass Spray Arm
- Counter Balanced Pivot Assembly
- Diverter Valve Wall Support

Valve Body, Cover, Tailpiece and Control Stop shall be in conformance with ASTM Alloy Classification for Semi-Red Brass. Valve shall be in compliance to the applicable sections of ASSE 1037 and ANSI/ASME A112.19.2.

Variations

- YI** Two Wall Bumpers (for open front seat without cover)
- SG** SaniGuard® Antimicrobial Coating Protects Spray Arm*

* SaniGuard does not protect users or others against disease-causing bacteria.



NOTE: Flush connections shown in dotted lines not included.



Made In The
USA



EPA
**GREEN
POWER
PARTNER**

Sloan Valve Company is buying renewable energy certificates to meet 100% of the company's purchased electricity use at its Franklin Park, Illinois facility.



This space for Architect/Engineer approval

Job Name _____ Date _____

Model Specified _____ Quantity _____

Variations Specified _____

Customer/Wholesaler _____

Contractor _____

Architect _____

The information contained in this document is subject to change without notice.

SLOAN

SLOAN HEADQUARTERS • 10500 SEYMOUR AVENUE • FRANKLIN PARK, IL 60131

Ph: 1-800-982-5839 • Fax: 1-800-447-8329 • www.sloanvalve.com