

8152-1.28 SWB



Description

Concealed, solar-powered, sensor-activated SOLIS® Model Water Closet Flushometer for wall hung rear spud water closets.

Flush Cycle

Model 8152-1.28 SWB High-Efficiency (1.28 gpf/ 4.8 Lpf)

Specifications

Quiet, Concealed, Diaphragm Type, Rough Brass Water Closet Flushometer for either left or right hand supply with the following features:

- Solar-Powered. The sensor assembly is supplementally powered by a solar cell that will harvest power from artificial indoor light, either incandescent or fluorescent light, and use it as the energy source. The solar cell can provide approximately 100% power w/650 Illuminance (lux).
- Four (4) Size AA Battery Back-up Power Source
- "Low Battery" Flashing LED
- Wall Plate with Stainless Steel Access Panel and Vandal Resistant Screws
- Synthetic rubber seals for chloramine resistance
- PERMEX® Synthetic Rubber Diaphragm with dual filtered fixed bypass
- Flush Accuracy Controlled by CID Technology
- ADA Compliant SOLIS® Solar-Powered Infrared Sensor for automatic "No Hands" operation
- Infrared Sensor with Multiple-focused, Lobular Sensing Fields for high and low target detection
- Latching Solenoid Operator
- User friendly three (3) second Auto Flush Delay
- Courtesy Flush® True Manual Override Button
- Infrared Sensor Range Adjustment Screw
- Initial Set-up Range Indicator Light (first 10 minutes)
- 1" I.P.S. Wheel Handle Bak-Chek® Angle Stop
- Adjustable Tailpiece
- High Back Pressure Vacuum Breaker Flush Connection with One piece Bottom Hex Coupling Nut
- Spud Coupling and Flange for 1-1/2" concealed Rear Spud
- Sweat Solder Adapter
- High Copper, Low Zinc Brass Castings for Dezincification Resistance
- Fixed Metering Bypass and No External Volume Adjustment to Ensure Water Conservation
- Diaphragm, Stop Seat and Vacuum Breaker molded from PERMEX® Rubber Compound for Chloramine resistance

Valve Body, Tailpiece and Control Stop shall be in conformance with ASTM Alloy Classification for Semi-Red Brass. Valve shall be in compliance with the applicable sections of ASSE 1037. Installation conforms to ADA requirements.

L Dimension

Specify the "L" Dimension for the proper length of the flush connection. The "L" Dimension is equal to the Wall Thickness (to nearest whole inch) plus 4-3/4".

Accessories

See Accessories Section and SOLIS® flushometer Accessories Section of the Sloan catalog for details on these and other SOLIS® flushometer variations.

Fixtures

Consult Sloan for matching Sloan brand fixture options.

Automatic Operation

SOLIS® solar-powered flushometers can be activated via multi-lobular infrared sensor. Sloan's SOLIS® solar-powered flushometer is a breakthrough in design and function that transforms light into power. The SOLIS® Series of flushometers provide the ultimate in conservation and performance.

Manual Operation

Sloan's SOLIS® solar-powered flushometers incorporate an intuitive button design for easy manual activation.

Functional & Hygienic

Touchless, sensor operation eliminates the need for user contact to help control the spread of infectious diseases. The SOLIS® solar-powered flushometers is provided with an override button to allow a Courtesy Flush® for individual user comfort.

Warranty

3 year (limited)



Sloan Valve Company is buying renewable energy certificates to meet 100% of the company's purchased electricity use at its Franklin Park, Illinois facility.



This space for Architect/Engineer approval	
Job Name _____	Date _____
Model Specified _____	Quantity _____
Variations Specified _____	
Customer/Wholesaler _____	
Contractor _____	
Architect _____	

Description

Concealed, Solar-Powered, Sensor-Activated SOLIS® Model Water Closet Flushometer for wall hung rear spud water closets.

Flush Cycle

Model 8152-1.6 SWB High-Efficiency (1.28 gpf/ 4.8 Lpf)

ELECTRICAL SPECIFICATIONS

Control Circuit

Solid State
6 VDC Input
8 Second Arming Delay
3 Second Flush Delay

SOLIS® Sensor Type

Active Infrared

SOLIS® Sensor Range

Nominal 22" - 42" (559 mm -1067 mm),
Adjustable ± 8" (203 mm)

Battery Type

(4) AA Alkaline

Battery Life

6 Years @ 4000 Flushes/Month

Indicator Lights

Range Adjustment/Low Battery

Operating Pressure

15 - 100 psi (104 - 689 kPa)

Sentinel Flush

Once Every 72 Hours After the Last Flush

Wall Plate Specifications

Wall Plate:

13-1/2" x 13-1/2" (342 mm x 342 mm)

Frame:

12" x 12" x 4" (305 mm x 305 mm x 102 mm) #16 Gauge Steel Cover
(Access Panel): #15 Gauge #304
Stainless Steel, #4 Finish

Screws:

(4) #8-32 x 3/4" Drilled Spanner Head
— Spanner Bit Provided

OPERATION

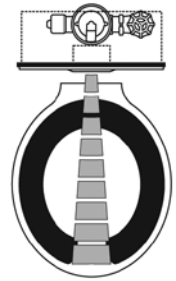
1. A continuous, invisible light beam is emitted from the SOLIS® sensor.



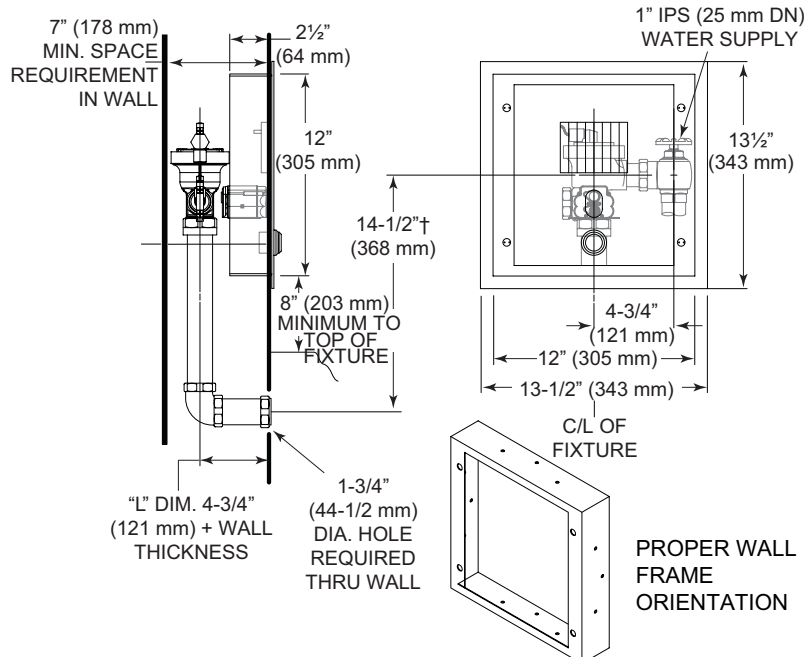
2. As the user enters the beam's effective range, 22" - 42", the beam is reflected into the Scanner Window to activate the Output Circuit. Once activated, the Output Circuit continues in a "hold" mode for as long as the user remains within the effective range of the sensor.



3. When the user steps away from the Sensor, the circuit immediately initiates an electrical "one-time" signal that operates the solenoid. This initiates the flushing cycle to flush the fixture. The circuit then automatically resets and is ready for the next user.



ROUGH-IN



SLOAN HEADQUARTERS • 10500 SEYMOUR AVENUE • FRANKLIN PARK, IL 60131

Phone: 1-800-9-VALVE-9 or 1-847-671-4300 • Fax: 1-800-447-8329 or 1-847-671-4380 • www.sloanvalve.com