

# 111-1.6/1.1 DFSM HW

## Dual-Flush Side Mount Hardwired

**Description**

Exposed, AC-powered, sensor-activated, water closet flushometer with a dual-flush side mount unit for top spud floor mounted or wall hung bowls.

**Flush Cycle**

- Sloan 111-1.6/1.1 DFSM HW Full Flush Large Black Button (1.6 gpf/6.0 Lpf)  
Code: 3910286 Reduced Flush Small Green Button (1.1 gpf/4.2 Lpf)

**Specifications**

Quiet, exposed, diaphragm-type, chrome plated closet flushometer with the following features:

- PERMEX<sup>®</sup> Synthetic Rubber Diaphragm with Dual-Filtered Bypass
- ADA Compliant AC-powered infrared side mount sensor for automatic "No Hands" operation
- Chrome plated infrared sensor housing
- Can be mounted on either left or right side of valve
- Non-Hold-Open True Mechanical Override Full Flush/Dual-Flush buttons
- If the user is present for less than one minute and leaves the sensing zone or chooses the small GREEN override button, a reduced flush initiates (1.1 gpf/4.2 Lpf) eliminating liquid and paper waste, saving 1/2 gallon of water†
- If the user is present for greater than one minute and leaves the zone or chooses the large BLACK override button, the full flush initiates (1.6 gpf/6.0 Lpf) eliminating solid waste and paper
- Reduces water volume by up to 30% when a reduced flush occurs†
- "User in View" flashing LED
- 72-Hour sentinel flush
- Infrared sensor range adjustment screw and reset button
- 1" IPS screwdriver Bak-Chek<sup>®</sup> angle stop with free spinning vandal resistant stop cap
- Adjustable tailpiece
- High back pressure vacuum breaker flush connection with one-piece bottom hex coupling nut
- Spud coupling and flange for 1-1/2" top spud
- Sweat solder adapter with cover tube and cast wall flange with set screw
- High copper, low zinc brass castings for dezincification resistance
- Flush accuracy controlled by CID technology
- No external volume adjustment to ensure water conservation
- Diaphragm, stop seat and vacuum breaker molded from PERMEX rubber compound for chloramine resistance

Valve body, tailpiece and control stop shall be in conformance with ASTM Alloy Classification for semi-red brass. Valve shall be in compliance with the applicable sections of ASSE 1037, ASME 112.18, ASME 112.19, ANSI 117.1. Installation conforms to ADA requirements.

**Accessories (specify separately)**

- EL-386** 120 VAC Input/6 VAC Output, 50/60 Hz (3 VA) Plug-In (will operate 1 unit)
- EL-451** 120 VAC Input/6 VAC Output, 50/60 Hz (25 VA) Box Mount (will operate up to 6 units)

**Fixtures**

Consult Sloan for Sloan brand matching fixture options.

† 30% water savings assumes retrofit to an existing 1.6 gpf (6.0 Lpf) closet flushometer. Water savings when used with other flush volumes may vary.



Side Mount units do NOT include the flushometer

**Smart Sense Technology™**

Sloan's DFSM flushometers are equipped with Smart Sense Technology™, which applies extended range and logic techniques to significantly reduce water usage. The DFSM flushometer automatically delivers a reduced flush when users are present less than 60 seconds. Please contact Sloan for specific details.

**Automatic**

Sloan's DFSM flushometers are activated via multi-lobular infrared sensor by detecting the user presence and duration, the DFSM unit will determine the proper flush volume for unequalled water efficiency.

**Manual Operation**

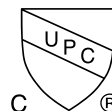
Sloan's electronic dual-flush side mount (DFSM) flushometers incorporate intuitive split-button design for easy manual activation. Assuming a 1.6 gpf (6.0 Lpf) diaphragm kit, the small GREEN button controls the reduced flush cycle (1.1 gpf/4.2 Lpf), the large BLACK button controls the full flush cycle (1.6 gpf/6.0 Lpf). Straightforward graphics alert user to proper activation. Reduced flush for liquid waste, full flush for solid waste.

**Hygienic**

Touchless, sensor activation eliminates the need for user contact to help control the spread of infectious diseases. The Sloan DFSM electronic retrofit units are provided with reduced or full flush override buttons to allow a "Courtesy Flush<sup>®</sup>" for individual user comfort. The 72-Hour Sentinel Flush keeps fixture fresh during periods of non-use.

**Warranty**

3 year (limited)



This space for Architect/Engineer approval	
Job Name _____	Date _____
Model Specified _____	Quantity _____
Variations Specified _____	
Customer/Wholesaler _____	
Contractor _____	
Architect _____	

# 111-1.6/1.1 DFSM HW

## Dual-Flush Side Mount Hardwired

### Description

Exposed, AC-powered, sensor-activated, water closet flushometer with a dual-flush side mount unit for top spud floor mounted or wall hung bowls.

### Flush Cycle

- Royal 111-1.6/1.1 DFSM HW Full Flush Large Black Button (1.6 gpf/6.0 Lpf)  
Code: 3910286
- Reduced Flush Small Green Button (1.1 gpf/4.2 Lpf)

### Electrical Specifications

#### Control Circuit

Solid State  
6 VAC/7.6 VDC Input  
72-Hour Sentinel Flush

**Closet Range:** 2-3 seconds Arming Delay

#### Sensor Type

Infrared Convergence Type  
Object Lock Detection

#### Sensor Range

**Factory Set at:** 22-42" (559-1067 mm)

#### Transformer

**Sloan Part # EL-386 (Plug-In)**  
120 VAC Input/6 VAC Output, 50/60 Hz (3 VA)

**Sloan Part # EL-451 (Box Mount)**  
120 VAC Input/6 VAC Output, 50/60 Hz (25 VA)

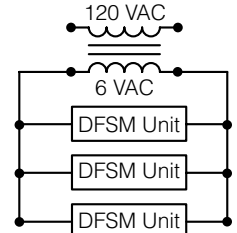
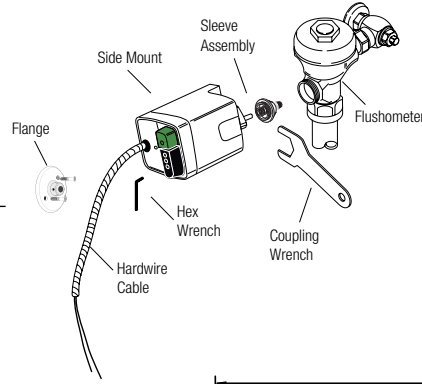
#### Indicator Lights

User in view

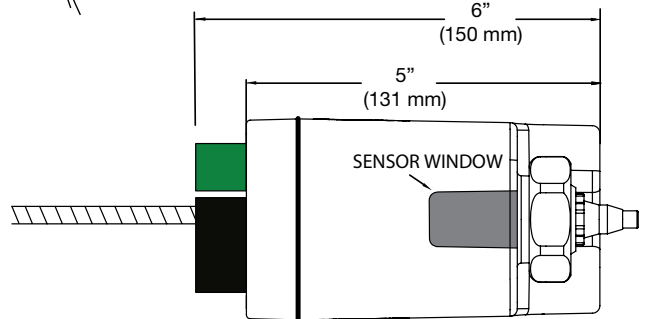
#### Valve Operating Pressure (Flowing)

25-80 PSI (172-552 kPa)

### Side Mount Components

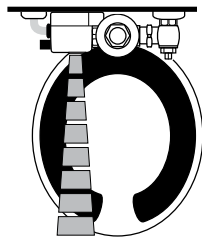


One EL-386 transformer serves one (1) DFSM closet/urinal flushometer. One EL-451 transformer serves up to six (6) DFSM closet/urinal flushometers. Specify part number and number of transformers required accordingly.

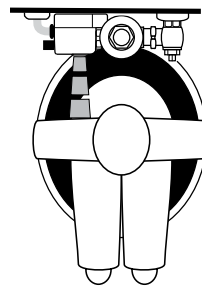


### Operation

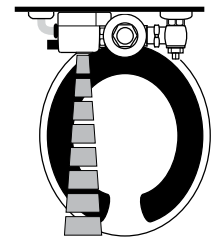
1. A continuous, invisible light beam is emitted from the object infrared sensor.



2. As the user enters the beams effective range, 22-42" (559-1067 mm), the beam is reflected into the scanner window to activate the output circuit. Once activated, the output circuit continues in a "hold" mode for as long as the user remains within the effective range of the sensor. If the user stays less than 60 seconds, a reduced flush will automatically initiate when the user leaves.

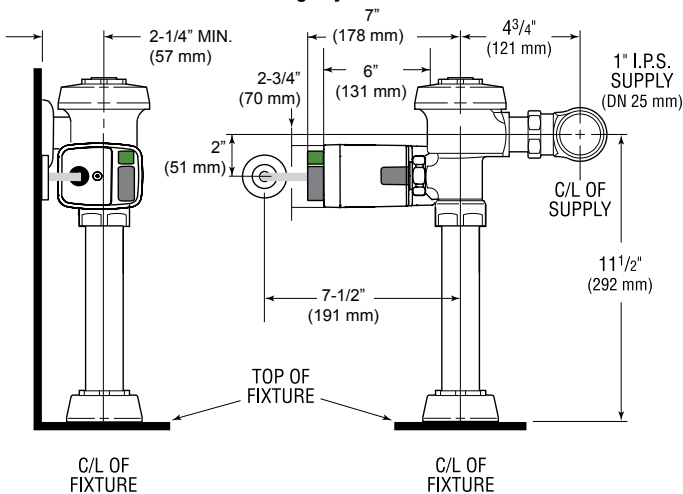


3. When the user steps away from the infrared sensor, the circuit initiates the flushing cycle to flush the fixture. The circuit then automatically resets and is ready for the next user.



### Rough-In

#### EL-750-A Dual-Flush Side Mount Hardwired unit shown on an existing Royal 111 closet flushometer



### Headquarters

10500 Seymour Avenue  
Franklin Park, IL 60131  
P: 847.671.4300 / 800.9.VALVE.9  
F: 847.671.4380 / 800.447.8329