



611-1.6 ESS

- ▶ **Code**
3918926
 - ▶ **Description**
Concealed, Sensor Activated Royal® Model Water Closet Flushometer for wall hung stainless steel back inlet bowls.
 - ▶ **Flush Cycle**
 Model 611-1.6 Low Consumption (1.6 gpf/6.0 Lpf)
 - ▶ **Specifications**
Quiet, Concealed, Diaphragm Type, Rough Brass Closet Flushometer for either left or right hand supply with the following features:
 - PERMEX® Synthetic Rubber Diaphragm with Dual Filtered Fixed Bypass
 - OPTIMA® EL-1500-L Self-Adaptive Infrared Sensor with Indicator Light
 - Courtesy Flush® Override Button
 - Non-Hold-Open Integral Solenoid Operator
 - Die Cast Sensor Cover Plate (for 2-gang Electrical Box) with no Visible Fasteners
 - 1" I.P.S. Wheel Handle Bak-Chek® Angle Stop
 - Adjustable Tailpiece
 - High Back Pressure Vacuum Breaker
 - Elbow Flush Connection and Coupling for 1½" NPT Back Inlet (for connection in the pipe chase — flush connection through the wall not provided by Sloan)
 - High Copper, Low Zinc Brass Castings for Dezincification Resistance
 - Low Consumption flush accuracy controlled by CID™ Technology
 - Diaphragm, Stop Seat and Vacuum Breaker Molded from PERMEX® Rubber Compound for Chloramine Resistance
- Valve Body, Cover, Tailpiece and Control Stop shall be in conformance with ASTM Alloy Classification for Semi-Red Brass. Valve shall be in compliance with the applicable sections of ASSE 1037, ANSI/ASME A112.19.2. Installation conforms to ADA requirements.

- ▶ **Accessories**
 - EL-154** Transformer (120 VAC/24 VAC, 50 VA)
 - EL-342** Transformer (240 VAC/24 VAC, 50 VA)

See Accessories Section and OPTIMA Accessories Section of the Sloan catalog for details on these and other OPTIMA Flushometer variations.



- ▶ **Automatic**
Sloan OPTIMA® equipped Flushometers provide the ultimate in sanitary protection and automatic operation. There are no handles to trip or buttons to push. The Flushometer operates by means of an infrared sensor that adapts to its surrounding. Once the user enters the sensor's effective range and then steps away, the Flushometer Solenoid initiates the flushing cycle to flush the fixture.
- ▶ **Hygienic**
User makes no physical contact with the Flushometer surface except to initiate the Override Button when required. Helps control the spread of infectious diseases. Twenty-four Hour Sentinel Flush keeps fixture fresh during periods of nonuse.
- ▶ **Economical**
Automatic operation provides water usage savings over other flushing devices. Reduces maintenance and operation costs.
- ▶ **Practical**
Solid state electronic circuitry assures years of dependable, trouble-free operation. The operational components of the Flushometer are identical to a handle operated Royal® Flushometer.
- ▶ **Warranty**
3 year (limited)
- ▶ **Made in the U.S.A.**



This space for Architect/Engineer approval	
Job Name _____	Date _____
Model Specified _____	Quantity _____
Variations Specified _____	
Customer/Wholesaler _____	
Contractor _____	
Architect _____	

611-1.6 ESS

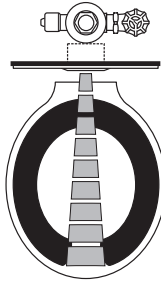
- ▶ **Description**
Concealed, Sensor Activated Royal® Model Water Closet Flushometer for wall hung stainless steel back inlet bowls.
- ▶ **Flush Cycle**
□ Model 611-1.6 Low Consumption (1.6 gpf/6.0 Lpf)

ELECTRICAL SPECIFICATIONS

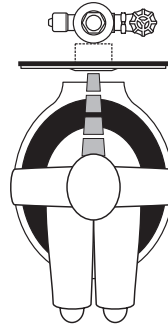
- | | |
|---|---|
| <ul style="list-style-type: none"> ▶ Control Circuit
Solid State
24 VAC Input
24 VAC Output
8 Second Arming Delay
3 Second Flush Delay
24 Hour Sentinel Flush ▶ OPTIMA Sensor Range
Nominal 22" - 42" (559 mm - 1067 mm)
Self-adaptive Window: ± 10" (254 mm) | <ul style="list-style-type: none"> ▶ Solenoid Operator
24 VAC, 50/60 Hz ▶ Transformer
Sloan Part #EL-154
120 VAC, 50/60 Hz Primary
24 VAC, 50/60 Hz Secondary
Class II, UL Listed, 50 VA. |
|---|---|
- Sloan Part #EL-342
240 VAC, 50/60 Hz Primary
24 VAC, 50/60 Hz Secondary
Class II, UL Listed, 50 VA.

OPERATION

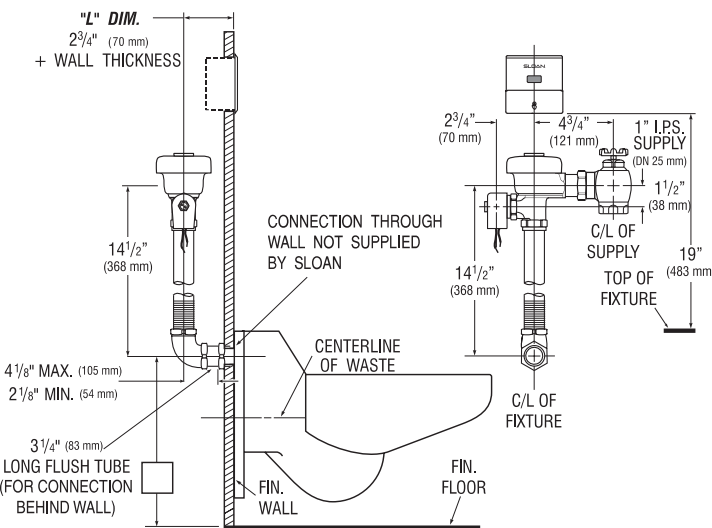
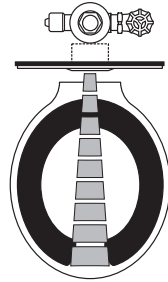
1. A continuous, invisible light beam is emitted from the OPTIMA Sensor.



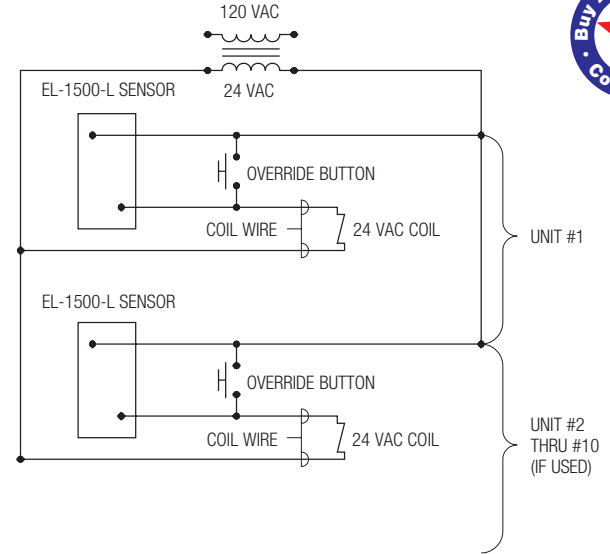
2. As the user enters the beam's effective range (22" to 42") the beam is reflected into the OPTIMA Scanner Window and transformed into a low voltage electrical circuit. Once activated, the Output Circuit continues in a "hold" mode for as long as the user remains within the effective range of the Sensor.



3. When the user steps away from the OPTIMA Sensor, the circuit waits 3 seconds (to prevent false flushing) then initiates an electrical "one-time" signal that operates the Solenoid. This initiates the flushing cycle to flush the fixture. The Circuit then automatically resets and is ready for the next user.



WIRING DIAGRAM



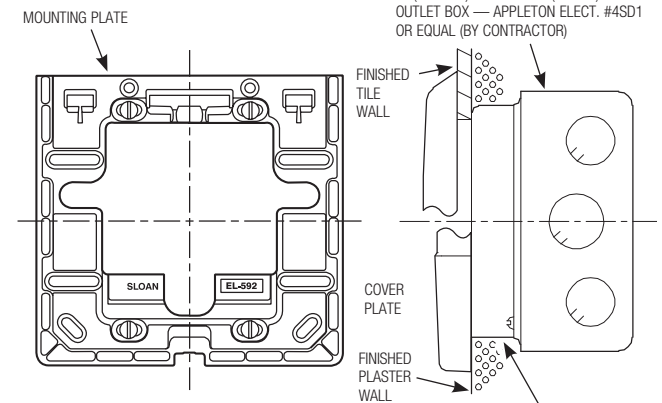
One Transformer serves up to ten (10) OPTIMA Closet/Urinal Flushometers. Specify number of transformers required accordingly.



ELECTRICAL BOX INSTALLATION

SENSOR LOCATION AND POSITIONING IS CRITICAL

Failure to properly position the electrical boxes to the plumbing rough-in will result in improper installation and impair product performance. All tradesmen (plumbers, electricians, tile setters, etc.) involved with the installation of this product must coordinate their work to assure proper product installation.



ATTACH MOUNTING PLATE TO PLASTER RING USING FOUR (4) SCREWS (SUPPLIED)

4" (102 mm) SQ. BOX DEVICE COVER (PLASTER RING) 3/4" (19 mm) HIGH — APPLETON ELECT. #8470 OR EQUAL (BY CONTRACTOR)

SLOAN VALVE COMPANY • 10500 SEYMOUR AVENUE • FRANKLIN PARK, IL 60131

Phone: 1-800-9-VALVE-9 or 1-847-671-4300 • Fax: 1-800-447-8329 or 1-847-671-4380 • www.sloanvalve.com