

► **Code Number**

3010082

► **Description**

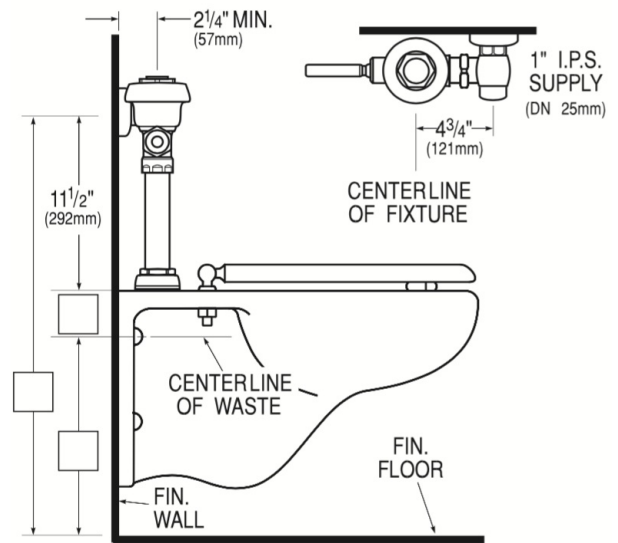
Exposed Water Closet Flushometer, for floor mounted or wall hung top spud bowls. For installations where reclaimed or recycled water is used for flushing.

► **Flush Cycle**

1.28 gpf/4.8 Lpf

► **Specifications**

- Quiet, Exposed, Diaphragm Type, Chrome Plated Closet Flushometer for left or right hand supply with the following features:
- Sweat Solder Adapter with Cover Tube & Cast Wall Flange with Set Screw
- Non-Hold-Open Handle, Fixed Metering Bypass and No External Volume Adjustment to Ensure Water Conservation
- Diaphragm, Handle Packing and Vacuum Breaker to be molded from PERMEX® Rubber Compound for Chloramine Resistance
- PERMEX® Synthetic Rubber Diaphragm with Dual-Filtered Fixed Bypass
- Includes adhesive backed metal wallplate with non-potable water warning
- Features purple wall flange, purple handle, diaphragm guide, bonnet and inner cover to communicate reclaimed water use
- ADA Compliant Metal Oscillating Non-Hold-Open Handle
- Flush accuracy controlled by CID® technology
- Spud Coupling and Flange for 1 1/2" Top Spud
- 1" I.P.S. Screwdriver Bak-Chek® Angle Stop with Free Spinning Vandal Resistant Stop Cap
- Valve Body, Cover, Tailpiece and Control Stop shall be in conformance with ASTM Alloy Classification for Semi-Red Brass. Valve shall be in compliance with the applicable sections of ASSE 1037 and ANSI/ASME 112.19.2.



► **Compliance & Certifications**



Made In The
USA



This space for Architect/Engineer Approval