

Regal® BPW 1000 XL Model Flushometer

Models Available

- Regal BPW 1000 XL
- Regal BPW 1000 XL-O 2" Offset Vacuum Breaker

Description

Exposed, Bedpan Washer Water Closet Flushometer, for floor mounted or wall hung top spud bowls.

Flush Cycle

- Model BPW 1000 Water Saver (3.5 gpf/13.2 Lpf)
- Model BPW 1000-1.6 Low Consumption (1.6 gpf/6.0 Lpf)

Specifications

Quiet, Exposed, Diaphragm Type, Chrome Plated Closet Flushometer with the following features:

- ADA Compliant Metal Oscillating Non-Hold-Open Handle
- 1" I.P.S. Screwdriver Bak-Chek™ Angle Stop
- Control Stop Plug
- Sweat Solder Adapter with Cover Tube
- Adjustable Tailpiece
- Cast Wall Flange with Set Screw
- Vacuum Breaker Flush Connection
- Spud Coupling and Spud Flange for 1½" Top Spud
- High Copper, Low Zinc Brass Castings for Dezincification Resistance
- Non-Hold-Open Handle and No External Volume Adjustment to Ensure Water Conservation
- Low Consumption flush accuracy controlled by Para-Flo™ Technology
- Handle Packing, Stop Seat and Vacuum Breaker to be Molded from PERMEX™ Rubber Compound for Chloramine Resistance

Valve Body, Cover, Tailpiece and Control Stop shall be in conformance with ASTM Alloy Classification for Semi-Red Brass. Valve shall be in compliance to the applicable sections of ASSE 1037.

Bedpan Washer Diverter Assembly with the following features:

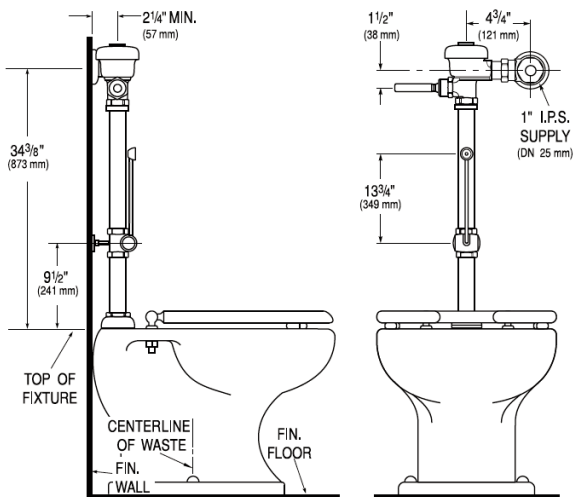
- Solid One-piece Body Construction
- Solid Brass Spray Arm
- Counter Balanced Pivot Assembly
- Diverter Valve Wall Support

Accessories

See Accessories Section of the Sloan catalog for available accessories

Fixtures

Consult Sloan for Sloan brand matching fixture options.



Listed by I.A.P.M.O.



Sloan Valve Company is buying renewable energy certificates to meet 100% of the company's purchased electricity use at its Franklin Park, Illinois facility.

This space for Architect/Engineer approval

The information contained in this document is subject to change without notice.



SLOAN • 10500 SEYMOUR AVE. • FRANKLIN PARK, IL 60131

Phone: 1-800-9-VALVE-9 or 1-847-671-4300 • Fax: 1-800-447-8329 or 1-847-671-4380

<http://www.sloanvalve.com>