

EAF-750-ISM

- ▶ **Description**
Battery Powered, Sensor Activated, Electronic Gooseneck Hand Washing Faucet for hot and cold water operation.
- ▶ **Model**
 EAF-750-ISM With Integral Spout Temperature Mixer and **i.q.-Click** Feature (For Hot and Cold water supply connection)
- ▶ **Flow Rate**
 1.5 gpm/5.7 Lpm Laminar Flow Spray Insert
- ▶ **Specifications**
Sensor Activated, Electronic, Chrome Plated Die-Cast Metal, Hand Washing Faucet with the following features:
 - Temporary-Off Feature for Cleaning
 - 12/24 Hour Hygienic Rinse Line Purge Function - Field Settable
 - Unitary Spout Housing Assembly for Easy Cleaning
 - Modular One-piece Construction with all Concealed Components above deck
 - Double Infrared Sensors with Automatic Setting Feature and Microprocessor
 - Low Battery Indicator
 - Bi-stable Magnetic Solenoid Valve
 - Water Supply Connection with Flexible High-pressure Hose and Strainer
 - 6 volt Lithium CR P2 Commercial Battery included
 - Appropriate Mounting Hardware included
 - Installation Similar to Conventional Single Lever Faucet
- ▶ **Accessories**
 - **Trim Plates**
 - SFP-11** Trim Plate for 4" (102 mm) Centerset Sink
 - SFP-22** Trim Plate for 8" (204 mm) Centerset Sink
 Trim Plates must be specified and ordered separately
 - **Spray Insert**
 - 1.5 gpm/5.7 Lpm Aerated Stream
- ▶ **Warranty**
3 year (limited)
- ▶ **Compliant to:**
ASME A112.18.1-2005/CSA B125.1-05, ISO/IEC 17025



The new Optima *i.q.* faucet
— *Bringing intelligence to water*

Sloan's new Optima *i.q.* EAF-750 Series electronic hand washing faucets operate by means of a dual infrared sensor and microprocessor based logic. The modular design incorporates all of the operating components of the faucet, including the sensor, solenoid, circuitry and battery above the sink within a die-cast metal spout.

ISM models feature an integral temperature control lever which allows the user to adjust the water temperature. This adjustment can also be converted to a fixed setting.

The *i.q.-Click* feature allows the user to place the faucet into optional function modes, including "continuous run" and "temporary off" simply by pressing a button on the spout. The use of the *i.q.-Click* feature is recommended only in installations where users have a regular familiarity with the faucet.

Optima *i.q.* EAF-750 series faucets include a 6 VDC lithium battery. Battery life is approximately three (3) years.

Battery shelf life is ten years. Battery service life varies with usage.



This product may contribute to LEED credits. See details on LEED calculation worksheet.

This space for Architect/Engineer approval

Job Name _____ Date _____

Model Specified _____ Quantity _____

Variations Specified _____

Customer/Wholesaler _____

Contractor _____

Architect _____

EAF-750-ISM

Description

Battery Powered, Sensor Activated, Electronic Gooseneck Hand Washing Faucet for hot and cold water operation.

Flow Rate

□ 1.5 gpm/5.7 Lpm Laminar Flow Spray Insert

ELECTRICAL SPECIFICATIONS

Control Circuit

6.75 VDC — Includes Auto Set Range Adjustment and Low Battery Indicator LED

Sensor Range

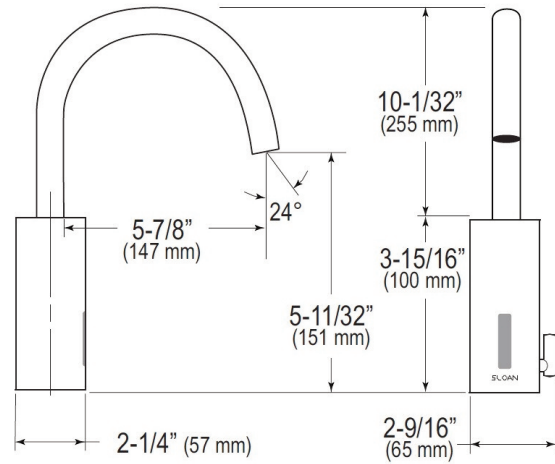
Nominal:
4"-5" (102 mm - 127 mm)
Faucet Adaptive Self-adjustment Range:
2"-14" (51 mm - 356 mm) nominal

Power Supply

6 VDC Lithium CR P2 battery
Up to Ten (10) Year Battery Life

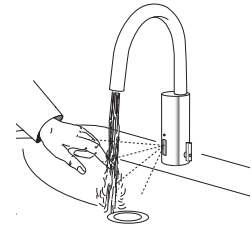
Time Out Setting

2 minutes — Maximum time faucet will run upon continuous detection (except for *i.q.-Click* models that are otherwise set in continuous run).



OPERATION

As the user's hands enter the beam's effective range, the beam is reflected back into the sensor receiver and activates the solenoid valve allowing water to flow from the faucet. Water will flow until the hands are removed or until the faucet reaches its automatic time out limit setting.



i.q.-Click FEATURE

The *i.q.-Click* is a button that extends from the underside of the faucet spout that allows the user to place the faucet into the following function modes: Continuous Run, Temporary Off, and Auto Set Range Adjustment.

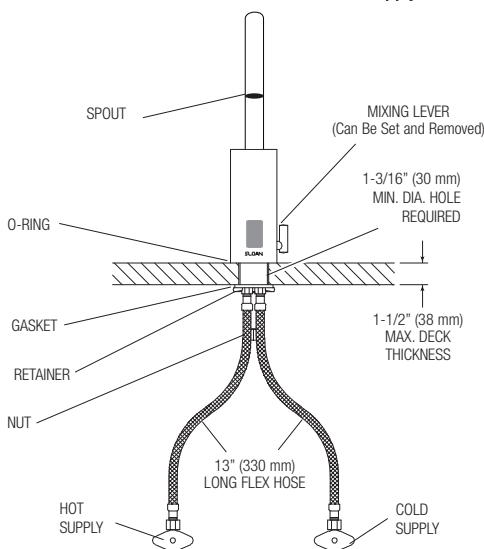
Because the use of the *i.q.-Click* feature requires familiarity with the faucet, this feature is not recommended for faucets intended for use by the general public. The *i.q.-Click* is ideal for use in hospital rooms, executive rest rooms and other locations where the primary user has regular contact with the product.

i.q.-Click SETTINGS

Function	Press Button	LED Signal
Continuous Run — 2 minute default setting (adjustable from 1 - 20 minutes)	1 time for 2 seconds	5 short flashes
reset:	1 time or will reset automatically after 2 minutes	
Temporary Off	2 times (double click)	5 short flashes followed by periodic flashing
reset:	1 time or will reset automatically after 2 minutes	
Auto Set Range Adjustment	2 times (double click) and then 1 time for 5 seconds	5 short flashes followed by 4 short flashes

ROUGH-IN

EAF-750-ISM Faucets with Hot and Cold Water Supply



When the EAF faucet is installed on a sink that has three (3) hole punchings, a Trim Plate should be used. **Trim Plates must be specified and ordered separately:**

SFP-11

Trim Plate for 4" (102 mm) Centerset Sink

SFP-22

Trim Plate for 8" (204 mm) Centerset Sink

SLOAN • 10500 SEYMOUR AVENUE • FRANKLIN PARK, IL 60131

Phone: 1-800-982-5839 or 1-847-671-4300 • Fax: 1-800-447-8329 or 1-847-671-4380 • www.sloanvalve.com