

ELC-82000 SERIES



Patent Pending

Model ELC-82275 Lavatory with EAF-275 Faucet Shown

► **Description**

Double Station Solid Surface Lavatory System Equipped with Sloan OPTIMA® Sensor Activated Faucets. Lavatory Drains to Basins.

► **Models**

- ELC-82000 Double Station SloanStone Lavatory without Faucet
- ELC-82080 Double Station SloanStone Lavatory with ETF-80 Faucet
- ELC-82085 Double Station SloanStone Lavatory with EBF-85 Faucet
- ELC-82100 Double Station SloanStone Lavatory with EAF-100 Faucet
- ELC-82150 Double Station SloanStone Lavatory with EAF-150 Faucet
- ELC-82187 Double Station SloanStone Lavatory with EBF-187 Faucet
- ELC-82200 Double Station SloanStone Lavatory with EAF-200 Faucet
- ELC-82210 Double Station SloanStone Lavatory with SF-2100 Faucet
- ELC-82215 Double Station SloanStone Lavatory with SF-2150 Faucet
- ELC-82220 Double Station SloanStone Lavatory with SF-2200 Faucet
- ELC-82225 Double Station SloanStone Lavatory with SF-2250 Faucet
- ELC-82240 Double Station SloanStone Lavatory with SF-2400 Faucet
- ELC-82245 Double Station SloanStone Lavatory with SF-2450 Faucet
- ELC-82250 Double Station SloanStone Lavatory with EAF-250 Faucet
- ELC-82275 Double Station SloanStone Lavatory with EAF-275 Faucet
- ELC-82610 Double Station SloanStone Lavatory with ETF-610 Faucet
- ELC-82615 Double Station SloanStone Lavatory with EBF-615 Faucet
- ELC-82700 Double Station SloanStone Lavatory with ETF-700 Faucet
- ELC-82750 Double Station SloanStone Lavatory with EBF-750 Faucet
- ELC-82880 Double Station SloanStone Lavatory with ETF-880 Faucet

► **Specifications**

Double Station Lavatory System with the following features:

- Drain Deck design prevents any water from puddling on the counter top
- Gap-free Vandal Resistant high strength structure
- Sloan Sensor Activated, Chrome Plated Hand Washing Faucets
- Chrome Plated Accented Overflow
- 1¼" Chrome Plated Brass Grid Strainer †
- 1½" Chrome Plated 17 Gauge Tubular Brass P-trap ‡
- Continuous waste with single 1½" Chrome Plated 17 Gauge Tubular Brass P-trap
- Cabinet constructed of Brushed Stainless Steel
- No visible fasteners for large Access Panel
- All ADA and TAS lavatory standards achieved in a single design

Sloan Optima® Electronics feature:

- For more information, please refer to the Faucet Specification Sheet

► **Options**

- XCW** Less Continuous Waste and P-trap

► **Colors**

- | | |
|---|---|
| <input type="checkbox"/> WH White | <input type="checkbox"/> MLG Matrix Light Gray |
| <input type="checkbox"/> CO Cameo | <input type="checkbox"/> MDG Matrix Dark Gray |
| <input type="checkbox"/> BO Bone | <input type="checkbox"/> MGR Matrix Green |
| <input type="checkbox"/> PH Peach | <input type="checkbox"/> MBR Matrix Brown |
| <input type="checkbox"/> AL Almond | <input type="checkbox"/> MBO Matrix Bone |
| <input type="checkbox"/> SH Shell | <input type="checkbox"/> MLB Matrix Light Blue |
| <input type="checkbox"/> PE Pea | <input type="checkbox"/> MSA Matrix Sand |
| <input type="checkbox"/> BI Biscuit | <input type="checkbox"/> MDB Matrix Dark Blue |
| <input type="checkbox"/> MWH Matrix White | <input type="checkbox"/> MDU Matrix Dusk |
| <input type="checkbox"/> MSI Matrix Silver | <input type="checkbox"/> MKH Matrix Khaki |
| <input type="checkbox"/> MPI Matrix Pink | <input type="checkbox"/> MSU Matrix Summit |
| <input type="checkbox"/> MJA Matrix Jade | <input type="checkbox"/> WNT Walnut |

► **Warranty — 3 year (limited)**

† Lavatory systems with Continuous Waste include ETF-825-A Grid Strainer Assemblies.
 Lavatory systems less Continuous Waste include ETF-460-A Grid Strainer Assemblies.
 ‡ P-trap included only when ordered with Continuous Waste.

The New SloanStone™ Drain Deck Lavatory System — The Perfect Match

The performance and dependability of Sloan Optima® Faucets are combined with the durability and versatility of Solid Surface in the new SloanStone™ Lavatory System. The unique sloped surface prevents water from pooling anywhere on the counter top, ensuring a dry surface while providing a sleek, clean and level appearance.

Hygienic and durable, SloanStone™ is stain, chemical, scratch and impact resistant. A rugged stainless steel frame supports the structure and ensures its unrivaled stability and strength, while still providing the fastest and easiest installation and maintenance available.

SloanStone™ Sinks can be provided with any one of Sloan's many battery or hardwire Optima® sensor activated faucets, providing the ultimate in water conservation and hygiene. These features, combined with the unique styling and myriad color options of our solid surface, make SloanStone™ the perfect choice for virtually any restroom installation.



The lavatory system is designed to comply with all applicable ADA, UFAS, Texas Accessibility Standards (TAS), ANSI Z124.3 and Z124.6 accessibility guidelines. See Variable Mounting Height Chart on Page 2.

This space for Architect/Engineer approval	
Job Name _____	Date _____
Model Specified _____	Quantity _____
Variations Specified _____	
Customer/Wholesaler _____	
Contractor _____	
Architect _____	

The information contained in this document is subject to change without notice.

ELC-82000 SERIES

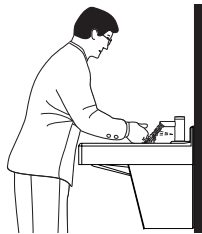
Double Station Lavatory System

FAUCET OPTIONS

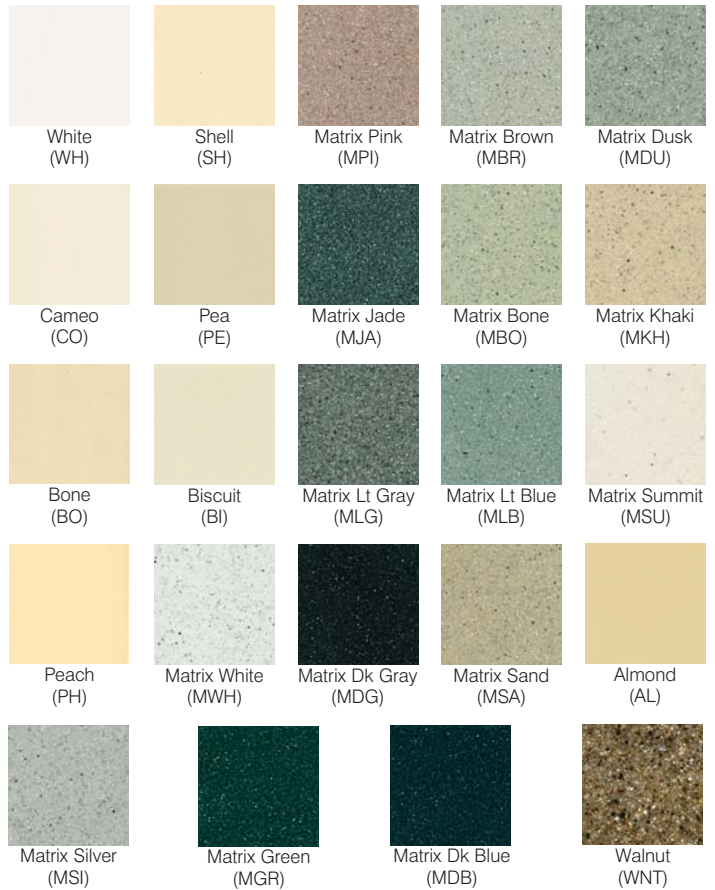


OPERATION

As the user's hands enter the beam's effective range, the beam is reflected back into the sensor receiver and activates the solenoid valve allowing water to flow from the faucet. Water will flow until user's hands are removed or until the faucet reaches its automatic time out limit setting.



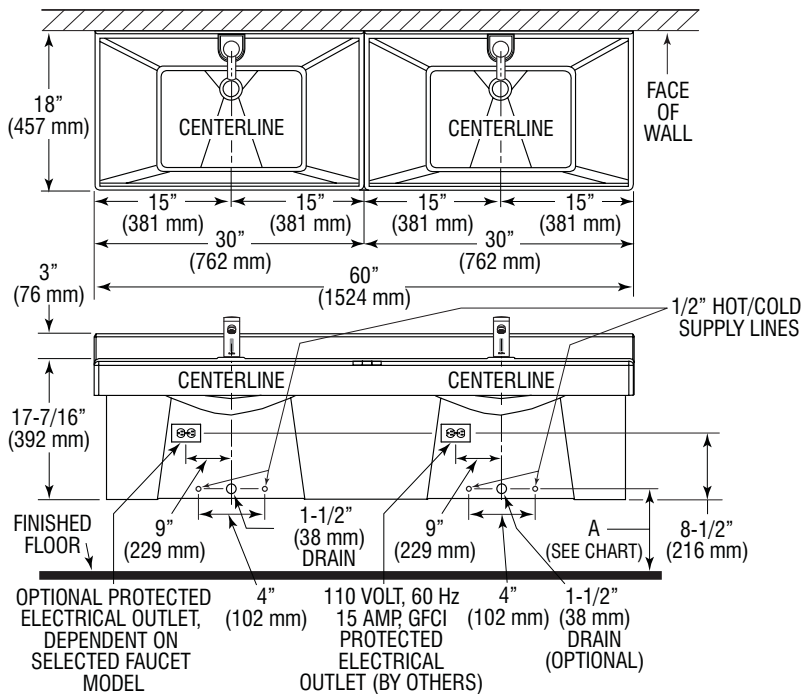
SLOANSTONE COLORS



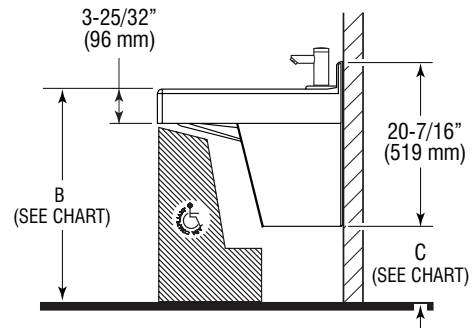
Expanded color options available at: www.sloanstonesinks.com.

For in stock availability and quick-ship options please contact your local Sloan representative.

ROUGH-IN



VARIABLE MOUNTING HEIGHT CHART				
WHEELCHAIR	DIMENSION DESCRIPTION	T.A.S. AGES 4-10	T.A.S. AGES 11-15	A.D.A. STANDARD
A	ROUGH-IN	18" (457 mm)	20" (508 mm)	22" (559 mm)
B	RECOMMENDED RIM HEIGHT	29-15/16" (760 mm)	31-15/16" (811 mm)	33-15/16" (862 mm)
C	MAX FLOOR CLEARANCE	12-1/2" (318 mm)	14-1/2" (368 mm)	16-1/2" (419 mm)



Consult local electrical codes for the mounting location of the 110/24 VAC Class 2 transformer.

For additional technical information, contact the Sloan Installation Engineering Department at 1-888-SLOAN-14 (1-888-756-2614) or techsupport@sloanvalve.com

SLOAN VALVE COMPANY • 10500 SEYMOUR AVENUE • FRANKLIN PARK, IL 60131

Phone: 1-800-982-5839 or 1-847-671-4300 • Fax: 1-800-447-8329 or 1-847-671-4380 • www.sloanvalve.com