



# EHD-351/352/354

► **Description**

Push Button Activated Hand Dryer for recessed mounting.

► **Specifications**

- Maintenance free brushless motor with self-lubricating bearings, capacitor initiated for quick starts
- State-of-the-art electronic timer with adjustable time cycle (set at 30 seconds)
- Air delivery of approximately 150 CFM at an outlet temperature of 145°F/63°C at a 72°F/22°C ambient room temperature
- Decibel Rating of 74 dB
- Heating element constructed of Nichrome wire and protected by an automatic resetting thermostat
- Vandal resistant metal protective grill to prevent the entry of foreign objects into the blower housing
- One piece heavy-duty rib reinforced die cast zinc alloy housing
- Bright chrome plate or chip-proof electrostatically-applied epoxy finish
- Chrome plated die-cast zinc alloy push button and air nozzle
- Air nozzle rotates 360 degrees to facilitate hand and face drying
- Tamper-proof cover fasteners are included

► **Electrical Specifications**

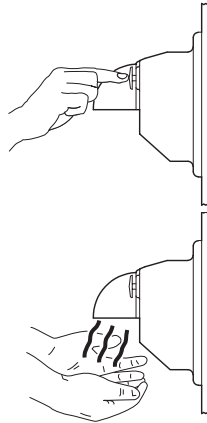
- Model EHD-351      110/120 VAC, 20 Amp, 60 Hz
- Model EHD-352      208/230 VAC, 10 Amp, 60 Hz
- Model EHD-354      277 VAC, 8 Amp, 60 Hz

► **Colors**

- W    White
- CP    Chrome Plate

► **Operation**

- Press the Hand Dryer Push Button to activate the Hand Dryer. A powerful flow of warm air dries hands within thirty (30) seconds.
- After thirty (30) seconds of continuous operation, the Hand Dryer automatically stops. It is then ready for the next user.



► **Push Button Activated**

Sloan OPTIMA<sup>®</sup> EHD-351, EHD-352 and EHD-354 Push Button Activated Hand Dryers operate by means of a state-of-the-art electronic timing device. Once the user presses the Push Button, the Hand Dryer will activate for thirty (30) seconds of continuous operation.

► **Maintenance Free Motor**

Sloan OPTIMA<sup>®</sup> EHD-351, EHD-352 and EHD-354 Push Button Activated Hand Dryers come equipped with a maintenance free brushless motor with self-lubricating bearings, capacitor initiated for quick starts.

► **Rotating Air Nozzle**

The Air Nozzle rotates a full 360 degrees to facilitate hand and face drying. It can also be secured in a stationary downward position.

► **Warranty**

10 year (limited)



This space for Architect/Engineer approval

Job Name \_\_\_\_\_ Date \_\_\_\_\_

Model Specified \_\_\_\_\_ Quantity \_\_\_\_\_

Variations Specified \_\_\_\_\_

Customer/Wholesaler \_\_\_\_\_

Contractor \_\_\_\_\_

Architect \_\_\_\_\_



## Electrical Requirements

Model	Voltage	Amps	Hz	Watts
EHD-351	110/120 VAC	20	60	2400
EHD-352 †	208/230 VAC	10	60	2300
EHD-354	277 VAC	8	60	2216

† Model EHD-352 can operate on 208 VAC through 230 VAC per the requirements listed.

Install electrical line in the location shown in the Wiring Diagram below.

### Electrical Connection Specifications

Connect 110/120 VAC dryer to not more than a 20 Amp branch circuit using #12 gauge or larger wire, and a 208/230/277 VAC dryer to not more than a 15 Amp branch circuit using #14 gauge or larger wire. DO NOT attach any other electrical devices to this branch circuit.

### Important:

**ALL ELECTRICAL WIRING SHOULD BE INSTALLED IN ACCORDANCE WITH NATIONAL/LOCAL CODES AND REGULATIONS.**

## Recommended Mounting Heights (from floor to bottom of dryer)

User	Height
Men	40 Inches (1016 mm)
Women	38 Inches (965 mm)
Teenagers	36 Inches (914 mm)
Children	30 Inches (762 mm)
Handicapped	32 Inches (813 mm)

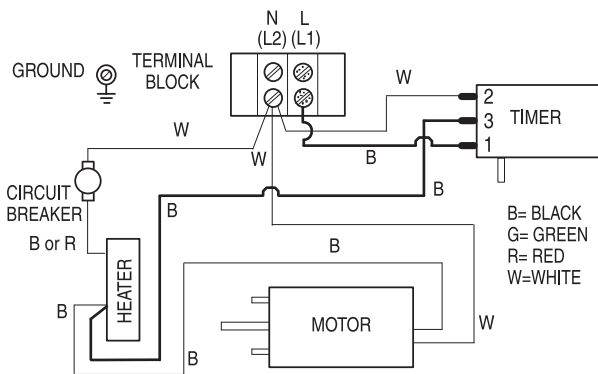
Prepare wall to receive mounting fasteners as shown in the rough-in diagram. Refer to Installation Instructions for recommended fasteners.

### Installation Precautions

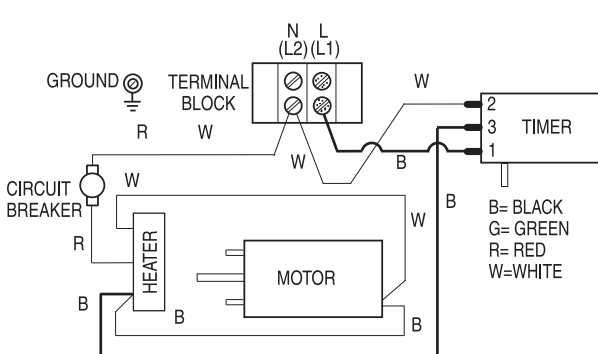
- Mounting surface should be smooth and flat.
- Mount dryer at least 24 inches (610 mm) away from basins and at least 20 inches (508 mm) away from corners.
- Mount multiple hand dryers a minimum separation distance of 20 inches (508 mm) (measured center to center).
- Avoid installing hand dryers in narrow hallways and behind swinging doors.

## WIRING DIAGRAM

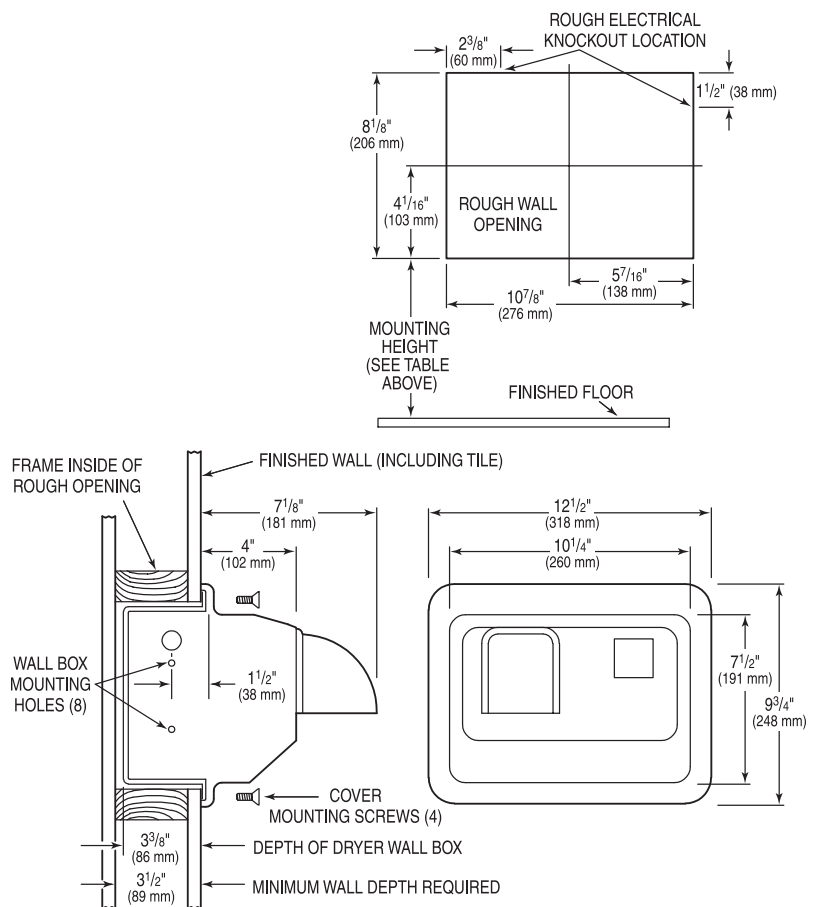
Model EHD-351 — 110/120 VAC  
Model EHD-352 — 208/230 VAC



Model EHD-354 — 277 VAC



## ROUGH-IN



**SLOAN VALVE COMPANY • 10500 SEYMOUR AVENUE • FRANKLIN PARK, IL 60131**

Phone: 1-800-9-VALVE-9 or 1-847-671-4300 • Fax: 1-800-447-8329 or 1-847-671-4380 • www.sloanvalve.com