

DESCRIPTION

Stainless Steel 1-Station Wall-Mounted Handwashing Sink.

DETAILS





- Material: Stainless Steel
- Width: 19" (483mm)

FEATURES

Stainless Steel Hand Washing Sink with the following features:

- Sink constructed from 14 gauge, Type 304 stainless steel with brushed stainless
- Cabinet constructed from 18 gauge, Type 304 stainless steel with brushed stainless
- Outer rim of sink raised to help prevent splashing and dripping on floors
- Angled front corners to enhance ease of use and protect users from sharp corners
- "Lift-out" style front access panel for easy maintenance access
- 1 1/2" stainless steel dome strainer with integral tailpiece and P-Trap
- Z-clip" wall hanger for mounting (fasteners by others)
- Sink is shipped pre-plumbed for easy installation

SUGGESTED FAUCETS

	Name	Description	
	SF-2250	Sloan® Battery-Powered Deck-Mounted Gooseneck Body Faucet	View more info
	SF-2200	Sloan® Hardwired-Powered Deck-Mounted Gooseneck Body Faucet	View more info
	EBF-85	Optima® Battery-Powered Deck-Mounted Mid Body Faucet	View more info
	ETF-770	Optima® Hardwired-Powered Deck-Mounted Gooseneck Body Faucet	View more info



COMPLIANCES & CERTIFICATIONS



(cUPC Certified)

RECOMMENDED SPECIFICATION

Sloan Stainless Series Handwashing Sink model no. EHS 1000. Product to be made of 14 gauge type 304 stainless steel with Sloan sensor faucets (sold separately).

DOWNLOADS

- [EHS-1000/ESS-2000/3000 Series Repair and Maintenance Guide](#)
- [Additional Downloads](#)

NOTES

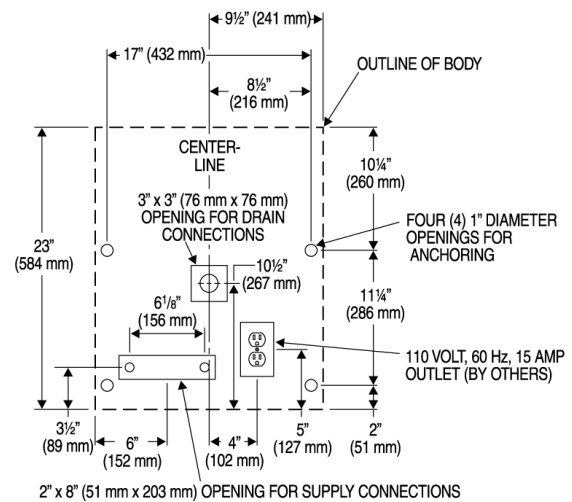
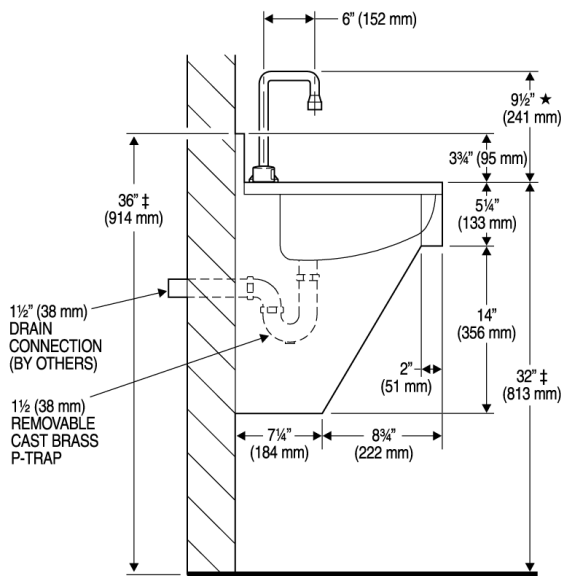
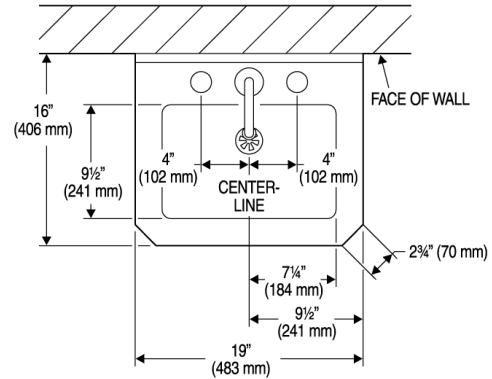
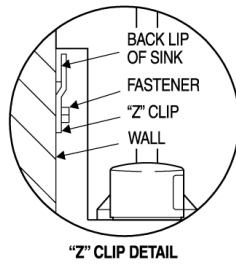
All information contained within this document subject to change without notice.

Looking for other variations of the EHS-1000 product? [View the general spec sheet with all options.](#)

[Find a compatible faucet](#) for this sink.

[Find a matching soap dispenser](#) for this sink.

ROUGH-IN



★ EHS-1770 ONLY.
‡ MOUNTING HEIGHT CAN VARY TO MEET INSTALLATION REQUIREMENTS.

Sloan 10500 Seymour Ave, Franklin Park, IL 60131

Phone: 800.982.5839 • Fax: 800.447.8329 • sloan.com