

► **Code Number**

3141550

► **Description**

Concealed Water Closet Flushometer — 1" I.P.S. Outlet for bowls and flushing rim floor drains. Especially suited for harsh water conditions.

► **Flush Cycle**

3.5 gpf/13.2 lpf

Valve Adjustment Range: 1.5 gpf/5.7 Lpf to 7.0 gpf/26.5 Lpf

► **Specifications**

Quiet, Concealed, Adjustable Piston Type, Rough Brass Closet Flushometer for either left or right hand supply with the following features:

- Exposed Parts Chrome Plated
- Metal Non-Hold-Open Push Button
- Vacuum Breaker Flush Connection
- Self-cleaning Xpelor® Bypass
- Handle Packing, Stop Seat and Vacuum Breaker to be Molded from PERMEX® Rubber Compound for Chloramine Resistance
- Ultra High Copper, Low Zinc Brass Castings for Dezincification and Salt Water Resistance
- 1" Female I.P.S. Union Outlet
- 1" I.P.S. Wheel Handle Bak-Chek® Angle Stop

Valve Body, Tailpiece and Control Stop shall be in conformance with ASTM Alloy Classification for Red Brass. Valve shall be in compliance with the applicable sections of ASSE 1037, ANSI/ASME A112.19.2

► **L Dimension**

Specify the "L" Dimension for the proper length of the Handle Assembly and Flush Connection. The "L" Dimension is equal to the Wall Thickness (to the nearest whole inch) plus 2 3/4" (70 mm).

► **Variations**

6 3/4 LDIM

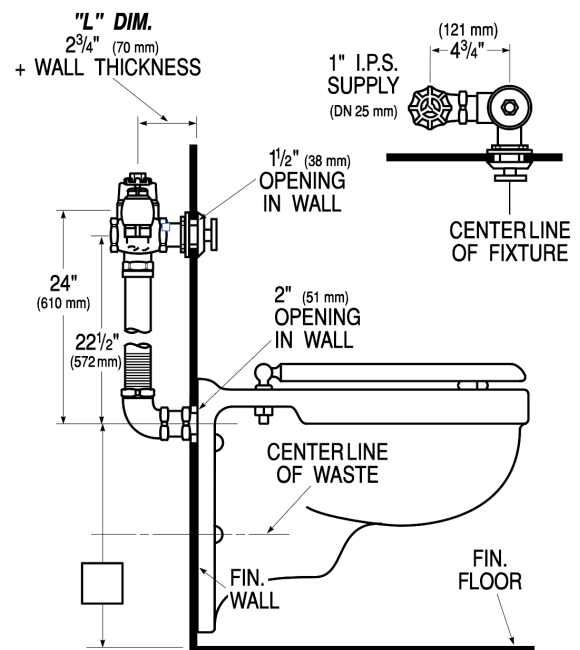
L3 3" Metal Oscillating Pushbutton

WWT - Whitworth Thread

XYV - Valve Less Vacuum Breaker

► **Accessories (Sold Separately)**

See Accessories Section of the Sloan catalog for available accessories



► **Compliance & Certifications**



This space for Architect/Engineer Approval