

MCR-60-A

MICRO Plumb® PRODUCTS Push Button Assembly

Description

Thru-wall push button for use with any MICRO Plumb® controller.
Activates water closets, lavatories and showers.

Specifications

- 10 WATT Maximum
- 48 VDC Maximum
- 0.30 AMO Maximum (Resistive Load)
- 0.15 AMP Maximum (Inductive Load)

Variations

- 1 "A" = 2.45" REF Less than 1" wall thickness
- 1 "A" = 4.45" REF 1" wall thickness
- 6 "A" = 9.45" REF 6" wall thickness
- 8 "A" = 11.45" REF 8" wall thickness
- 10 "A" = 13.45" REF 10" wall thickness

Consult factory for additional push button variations.

Accessories

- ETF-1003-72 6' Single wire extension Cord Kit
- ETF-1003-108 9' Single wire extension Cord Kit
- ETF-1003-240 20' Single wire extension Cord Kit
- ETF-1003-600 50' Single Wire Extension Cord Kit

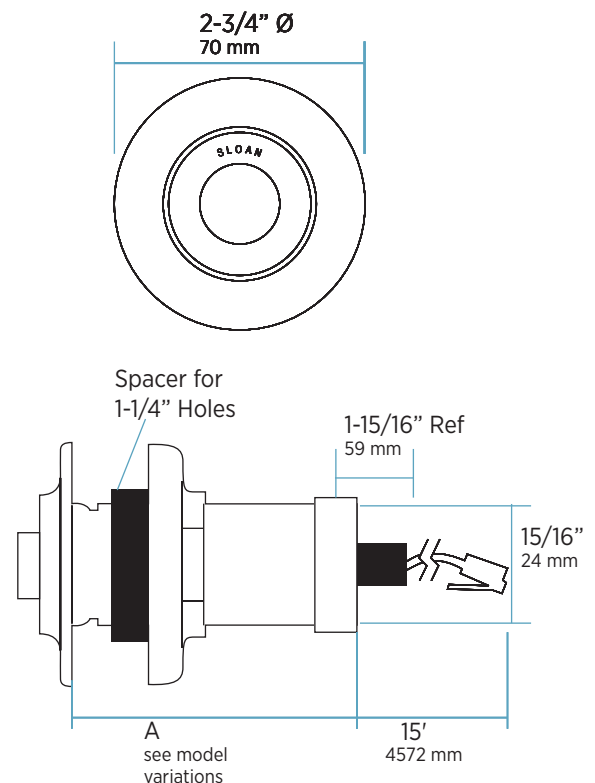
NOTE: The MCR-60-A push button cord can be extended to an overall maximum length of 200' (with the purchase of MICRO Plumb extension cord kit for push buttons and solenoids).



Water Connects Us™

Headquarters • 10500 Seymour Avenue • Franklin Park, IL 60131
P: 847-671-4300 / 800-9-VALVE-9 • F: 847-671-4380 / 800-447-8329

The information contained in this document is subject to change without notice.



MCR-60-A 07-14