

# MCR-194-A

## MICRO Plumb® PRODUCTS Lavatory/Shower Solenoid Retrofit Kit

### Description

24 VAC retrofit solenoid kit. Converts Acorn, Bradley, Metcraft and Willoughby air valve manifolds from pneumatic operation to electronic operation. Used in conjunction with MICRO Plumb® controllers to provide control over lavatory and shower water usage.

### Specifications

- 24 VAC – 60 Hz operating voltage
- Current: In Rush: 13 VA  
Holding: 9 VA
- 160° F maximum water temperature
- Pilot operated
- Includes 15' cord w/6 position, 4 pin RJ-11 connection

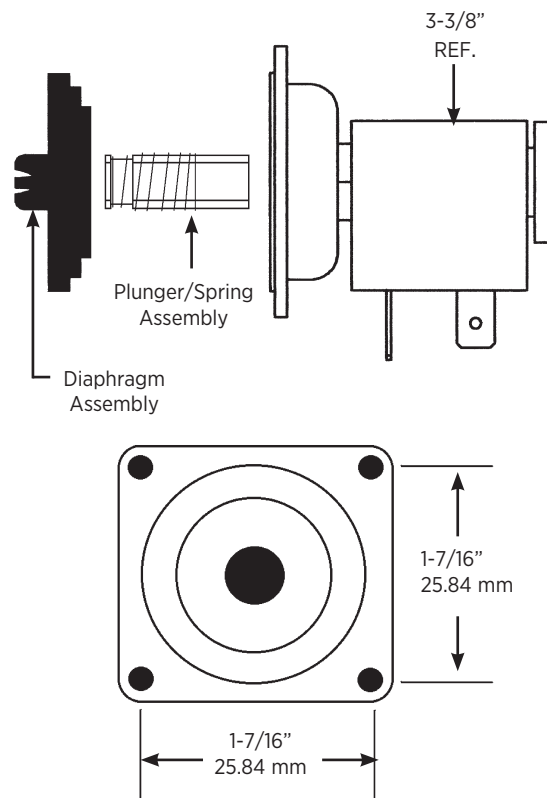
### Accessories

- ETF-1003-240                      20' Single Wire Extension Cord Kit
- ETF-1003-600                      50' Single Wire Extension Cord Kit

**NOTE:** Solenoid cable length can be increased to a maximum overall length of 200 feet using MICRO Plumb® extension cords.



Solenoids



Water Connects Us™

Headquarters • 10500 Seymour Avenue • Franklin Park, IL 60131  
P: 847-671-4300 / 800-9-VALVE-9 • F: 847-671-4380 / 800-447-8329

The information contained in this document is subject to change without notice.

MCR-194-A 07-14