

MCR-184-A

MICRO Plumb® PRODUCTS Push Button

Description

Waterproof, thru-wall push button for use with any MICRO Plumb® controller. Activates water closets, lavatories and showers.

Specifications

- 35 VDC Maximum
- 0.20 AMP Maximum
- Stainless steel button with chrome plated brass flange
- 1.50" hole required
- 15' Cord w/6 position, 4 pin RJ-11 modular plug

Variations

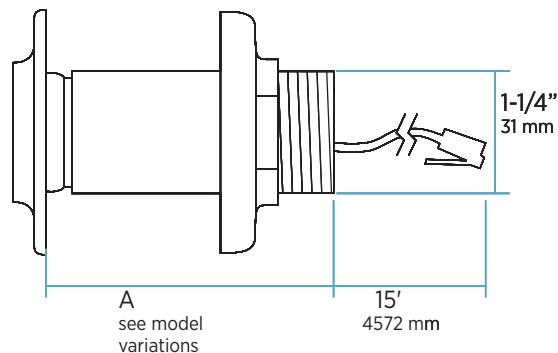
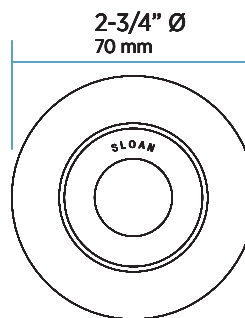
<input type="checkbox"/> -5 "A" = 7.28"	6" wall thickness
<input type="checkbox"/> -7 "A" = 9.28"	8" wall thickness
<input type="checkbox"/> -9 "A" = 11.28"	10" wall thickness

Consult factory for additional push button variations.

Accessories

- ETF-1003-72 6' Single wire extension Cord Kit
- ETF-1003-108 9' Single wire extension Cord Kit
- ETF-1003-240 20' Single wire extension Cord Kit
- ETF-1003-600 50' Single Wire Extension Cord Kit

NOTE: The MCR-184-A push button cord can be extended to an overall maximum length of 200' (with the purchase of MICRO Plumb extension cord kit for push buttons and solenoids).



Water Connects Us™

Headquarters • 10500 Seymour Avenue • Franklin Park, IL 60131
P: 847-671-4300 / 800-9-VALVE-9 • F: 847-671-4380 / 800-447-8329

The information contained in this document is subject to change without notice.

MCR-184-A 07-14