

MCR-139-A

MICRO Plumb® PRODUCTS Lavatory/Shower Solenoid

Description

Electronically operated solenoid w/integral filter used to supply hot or cold water to lavatories or pre-mixed water to a shower. For use with any MICRO Plumb® controller.

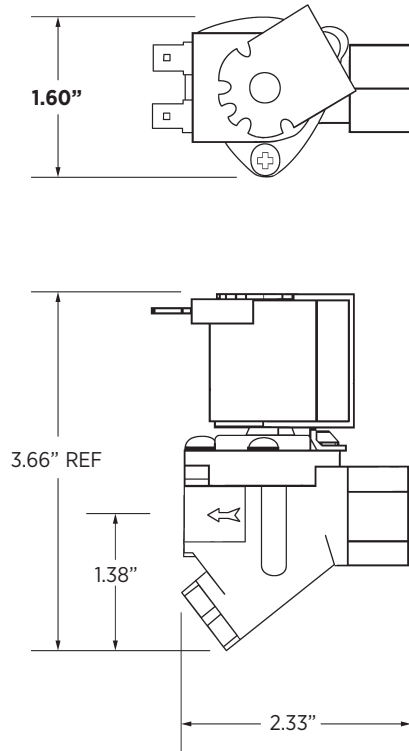
Specifications

- 24 VAC - 50/60 Hz Operating Voltage
- Current: In Rush 12 VA (500 mA)
Holding 4.63 VA (193 mA)
- Power Consumption: 7 WATTS
- 160°F maximum water temperature
- Brass body w/integral 'Y' strainer (80 mesh)
- .375-18 NPTF Thread at inlet and outlet
- Stainless steel valve seat
- Includes 15' cable w/ 6 position, 4 pin RJ-11 connector

Accessories

- MCR-29-A 3/8 NPTM to 3/8 O.D. tube adapter kit
- MCR-86-200 200' 3/8 O.D. nylon tubing
- ETF-1003-240 20' Single Wire Extension Cord Kit
- ETF-1003-600 50' Single Wire Extension Cord Kit

NOTE: Solenoid cable length can be increased to a maximum overall length of 200 feet.



FWT PROGRAMMED WATER TECHNOLOGIES
A SLOAN VALVE COMPANY
SLOAN

Water Connects Us™

Headquarters • 10500 Seymour Avenue • Franklin Park, IL 60131
P: 847-671-4300 / 800-9-VALVE-9 • F: 847-671-4380 / 800-447-8329

The information contained in this document is subject to change without notice.