

► **Code Number**

16010481

► **Description**

Double Station Solid Surface Lavatory System Equipped with Sloan Electronic Sensor Technology.

► **Specifications**

Double Station Lavatory System with Sloan Electronic Sensor Technology with the following features:

- Integrated Head containing pre-plumbed water paths and electronic components preassembled on a single mounting plate for rapid, easy installation/maintenance
- Sloan Electronic Sensors for hands free point of use activation
- Water Conserving, touch free, on-demand sensors detect user's hands at the point of use preventing unintentional activations
- Sensors are protected from user, reducing damage and vandalism
- 1 1/4" chrome plated brass drains with grid strainers
- Optional top filled gravity fed manual Soap Dispensers
- Basin and Integrated Head constructed of durable SloanStone solid surface material
- No visible fasteners or obvious access points on the Integrated Head and Basin
- Below deck Mechanical Mixing Valve, standard
- ADA and TAS lavatory Rim Height Standards achieved in a single design
- Aesthetically pleasing soft contoured one-piece continuous Basin
- Top Access Lid with Recessed Allen Key Activation, T-handle Allen wrench standard

► **Sloan Electronics feature:**

- Sloan Adjustable Sensor Technology for reliable performance
- Filtered Solenoid with serviceable Strainer
- Chrome plated brass Spouts
- Water saving 0.5 gpm/1.9 Lpm max. Aerator
- 6 VDC Plug-in transformer (Model 62000)
- 4 Alkaline AA Batteries — 2 years life at 8,000 cycles/month (Model 62050)

► **Variations**

- MSD Manual Soap* Dispenser
- FC Manual Soap* Dispenser with Lid Mounted Fill Cap

*Soap Viscosity: 300-2000 CPS

► **Colors**

- White
- Cameo
- Bone
- Peach
- Almond
- Shell
- Pea
- Biscuit
- Matrix White
- Matrix Silver
- Matrix Pink
- Matrix Jade
- Matrix Light Gray
- Matrix Dark Gray
- Matrix Green
- Matrix Brown
- Matrix Bone
- Matrix Light Blue
- Matrix Sand
- Matrix Dark Blue
- Matrix Dusk
- Matrix Khaki
- Matrix Summit
- Matrix Frost
- Walnut



► **The New SloanStone™ Lavatory System — The Perfect Match**

The dependability of Sloan electronics combined with the durability of our SloanStone solid surface material creates the ultimate in vandal resistant lavatory systems with a unique designer style.

Having all the serviceable components accessible from the top, including a water shut-off valve, all the electronics, sensors, solenoids and soap components, gives SloanStone sinks the simplest installation and maintenance available. All of this is kept secure from prying hands by a recessed screw and bracket mechanism on each side of the head, which can be loosened with the supplied T-handle wrench. Therefore, there are no visible fasteners on the unit to invite would-be vandals. The infrared sensors are also recess mounted in a stainless steel plate behind the aerator spray head keeping them out of sight of the user, virtually eliminating potential damage to the sensor windows and making this a true water conserving on-demand unit.

"A durable plastic cabinet conceals the drain lines, supply stops and mechanical mixing valve

► **Compliance & Certifications**



The lavatory system is designed to comply with all applicable ADA, UFAS, Texas Accessibility Standards (T.A.S.), and ANSI Z124.3 and Z124.6 accessibility guidelines when mounted at the recommended rim height.

Sloan Electronics are:



Listed by I.A.P.M.O.

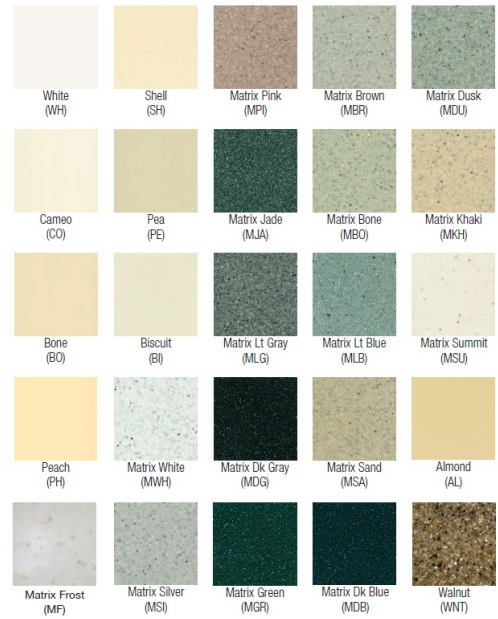
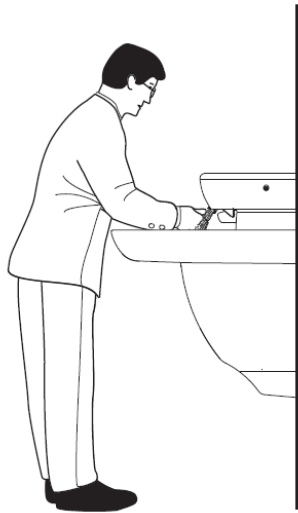
This space for Architect/Engineer Approval

► **SLOANSTONETM COLORS**

► OPERATION

OPERATION

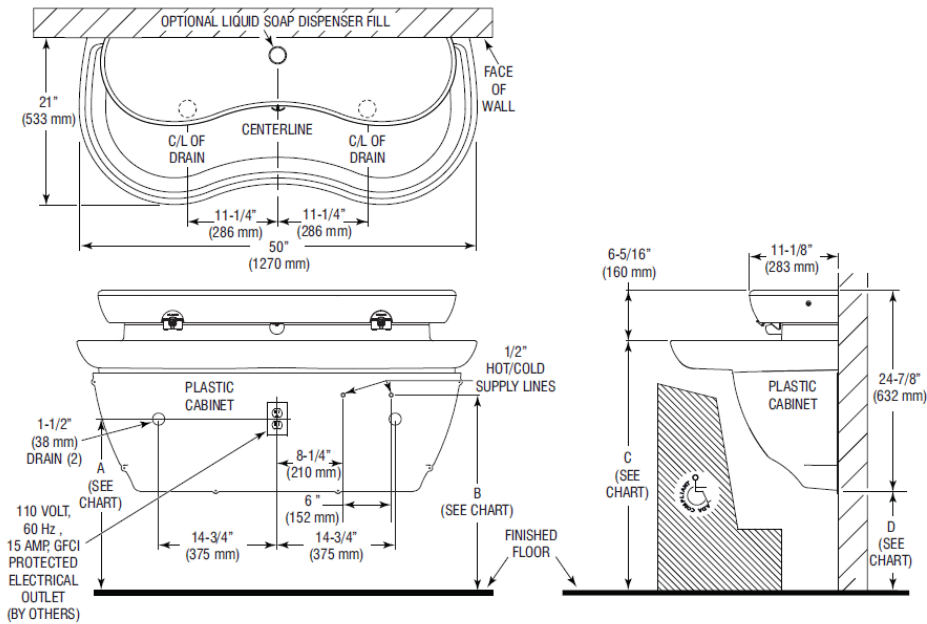
As the user's hands enter the beam's effective range, the beam is reflected back into the sensor receiver and activates the solenoid valve allowing water to flow from the spout. Water will flow until user's hands are removed or until the time out limit is reached.



Expanded color options available at: www.sloanstonesinks.com.

For in stock availability and quick-ship options please contact your local Sloan representative.

► ROUGH-IN



† When no mirror is required above the basin.

VARIABLE MOUNTING HEIGHT CHART (2 STATION)			
DIMENSION DESCRIPTION	T.A.S. † AGES 4-10	T.A.S. † AGES 11-15	A.D.A. STANDARD
A ROUGH-IN, DRAIN	20" (508 mm)	22" (559 mm)	24" (610 mm)
B ROUGH-IN, SUPPLY	23" (584 mm)	25" (635 mm)	27" (686 mm)
C RECOMMENDED RIM HEIGHT	29-3/4" (756 mm)	31-3/4" (806 mm)	33-3/4" (857 mm)
D FLOOR CLEARANCE	11-1/8" (283 mm)	13-1/8" (333 mm)	15-1/8" (384 mm)

For additional technical information, contact the Sloan Installation Engineering Department at 1-888-SLOAN-14 (1-888-756-2614) or techsupport@sloanvalve.com.