

ELS-63000 SERIES



Description

Triple Station Solid Surface Lavatory System Equipped with Sloan OPTIMA® Sensor Activated Faucets.

Models

- ELS-63080 Three Station SloanStone Lavatory with ETF-80 Faucets
- ELS-63085 Three Station SloanStone Lavatory with EBF-85 Faucets
- ELS-63100 Three Station SloanStone Lavatory with EAF-100 Faucets
- ELS-63150 Three Station SloanStone Lavatory with EAF-150 Faucets
- ELS-63200 Three Station SloanStone Lavatory with EAF-200 Faucets
- ELS-63225 Three Station SloanStone Lavatory with EAF-225 Faucets
- ELS-63250 Three Station SloanStone Lavatory with EAF-250 Faucets
- ELS-63275 Three Station SloanStone Lavatory with EAF-275 Faucets
- ELS-63187 Three Station SloanStone Lavatory with EBF-187 Faucets
- ELS-63610 Three Station SloanStone Lavatory with ETF-610 Faucets
- ELS-63615 Three Station SloanStone Lavatory with EBF-615 Faucets
- ELS-63600 Three Station SloanStone Lavatory with ETF-600 Faucets
- ELS-63650 Three Station SloanStone Lavatory with EBF-650 Faucets
- ELS-63210 Three Station Sloanstone Lavatory with SF-2100 Faucets
- ELS-63215 Three Station Sloanstone Lavatory with SF-2150 Faucets
- ELS-63220 Three Station Sloanstone Lavatory with SF-2200 Faucets
- ELS-63225 Three Station Sloanstone Lavatory with SF-2250 Faucets
- ELS-63230 Three Station Sloanstone Lavatory with SF-2300 Faucets
- ELS-63235 Three Station Sloanstone Lavatory with SF-2350 Faucets

Specifications

Triple Station Lavatory System with Sloan Sensor Activated, Chrome Plated Hand Washing Faucets with the following features:

- 1¼" chrome plated brass drains with grid strainers
- Below deck Mechanical Mixing Valve, standard
- All ADA and TAS lavatory standards achieved in a single design
- Aesthetically pleasing soft contoured one-piece continuous Basin

Sloan Optima® Electronics feature:

- For more information, please refer to the Faucet Specification Sheet

Variations

- MSD** Soap Dispenser - ESD-350 (battery model), ESD-300 (AC plug-in transformer model)
- BSD** Soap Dispenser - SJS-1650 (SJS-7 AC adaptor provided with plug-in transformer model)

(Note: an additional electrical outlet is required when installing two (2) hardwire soap dispensers in conjunction with hardwire Faucets — see rough-in)

Other options available, contact your Sloan Representative for special requests.

Warranty — 3 year (limited)

Colors

- | | |
|---|---|
| <input type="checkbox"/> WH White | <input type="checkbox"/> MLG Matrix Light Gray |
| <input type="checkbox"/> CO Cameo | <input type="checkbox"/> MDG Matrix Dark Gray |
| <input type="checkbox"/> BO Bone | <input type="checkbox"/> MGR Matrix Green |
| <input type="checkbox"/> PH Peach | <input type="checkbox"/> MBR Matrix Brown |
| <input type="checkbox"/> AL Almond | <input type="checkbox"/> MBO Matrix Bone |
| <input type="checkbox"/> SH Shell | <input type="checkbox"/> MLB Matrix Light Blue |
| <input type="checkbox"/> PE Pea | <input type="checkbox"/> MSA Matrix Sand |
| <input type="checkbox"/> BI Biscuit | <input type="checkbox"/> MDB Matrix Dark Blue |
| <input type="checkbox"/> MWH Matrix White | <input type="checkbox"/> MDU Matrix Dusk |
| <input type="checkbox"/> MSI Matrix Silver | <input type="checkbox"/> MKH Matrix Khaki |
| <input type="checkbox"/> MPI Matrix Pink | <input type="checkbox"/> MSU Matrix Summit |
| <input type="checkbox"/> MJA Matrix Jade | <input type="checkbox"/> MFR Matrix Frost |

The New SloanStone™ Lavatory System — The Perfect Match

The performance and dependability of Sloan Optima® faucets are combined with the durability and versatility of solid surface in the new SloanStone™ Lavatory System. Hygienic and durable, SloanStone™ is stain, chemical, scratch and impact resistant. SloanStone™ sinks can be provided with any one of Sloan's many battery or hardwire Optima® sensor activated faucets and soap dispensers, providing the ultimate in water conservation and hygiene. These features, combined with the unique styling and myriad color options of our solid surface, make SloanStone™ the perfect choice for virtually any restroom installation.



The lavatory system is designed to comply with all applicable ADA, UFAS, Texas Accessibility Standards (TAS), and ANSI Z124.3 and Z124.6 accessibility guidelines when mounted at the recommended rim height. Regulatory Agency approvals available upon request.

This space for Architect/Engineer approval	
Job Name _____	Date _____
Model Specified _____	Quantity _____
Variations Specified _____	
Customer/Wholesaler _____	
Contractor _____	
Architect _____	

The information contained in this document is subject to change without notice.

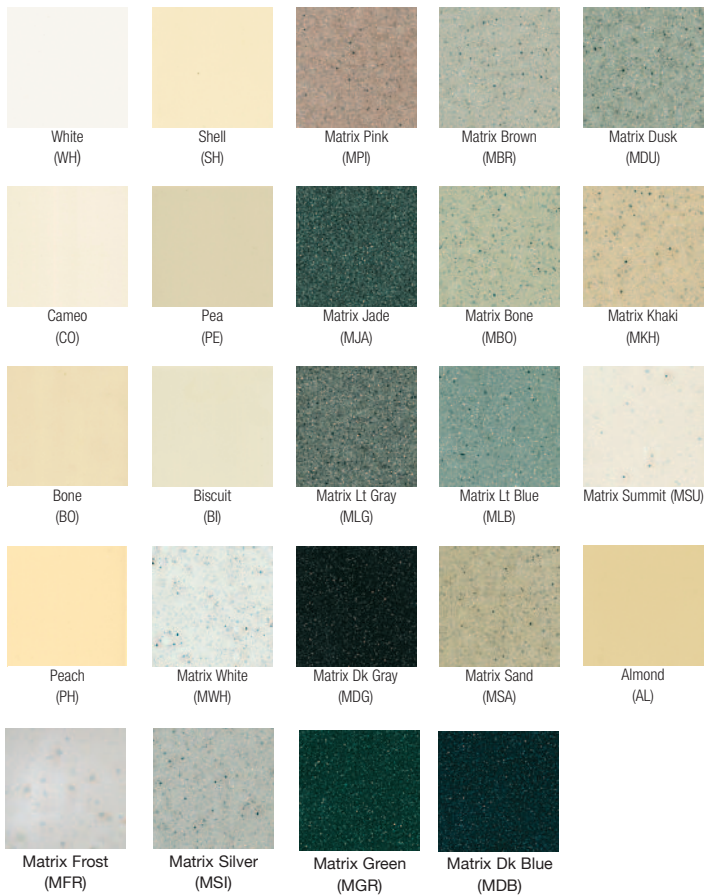
ELS-63000 SERIES

Triple Station Lavatory System

FAUCET OPTIONS



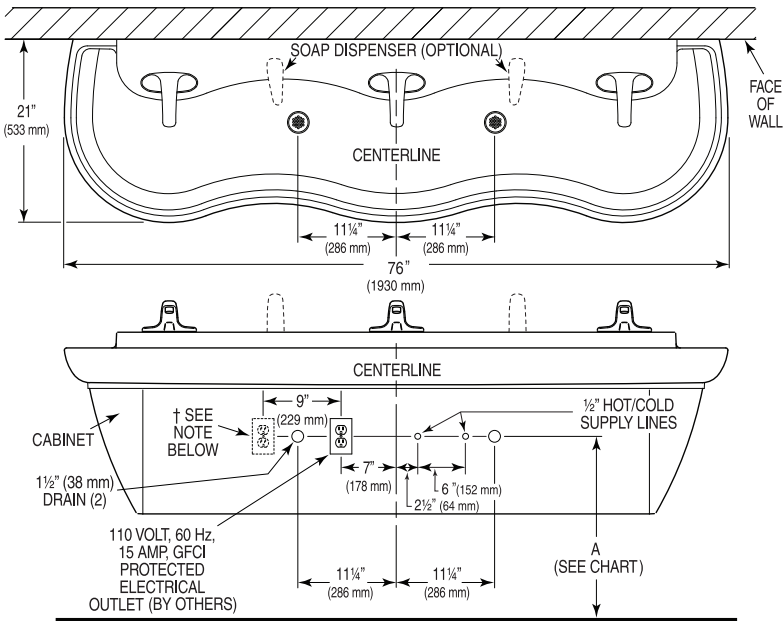
SLOANSTONE COLORS



SOAP DISPENSER OPTIONS



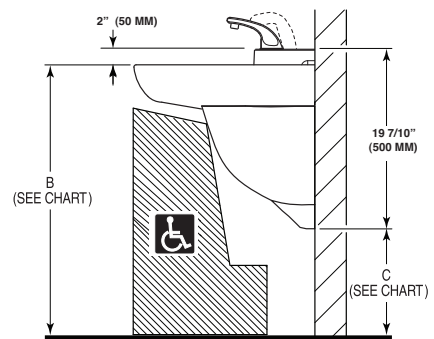
ROUGH-IN



Expanded color options available at: www.sloanvalve.com.
For in stock availability and quick-ship options please contact your local Sloan representative.

OPERATION

As the user's hands enter the beam's effective range, the beam is reflected back into the sensor receiver and activates the solenoid valve allowing water to flow from the faucet. Water will flow until user's hands are removed or until the faucet reaches its automatic time out limit setting.



† An additional electrical outlet is required when installing three (3) ETF Faucets.

VARIABLE MOUNTING HEIGHT CHART

DIMENSION DESCRIPTION	T.A.S. AGES 4-10	T.A.S. AGES 11-15	A.D.A. STANDARD
A ROUGH-IN	20-1/2" (521 mm)	22-1/2" (572 mm)	24" (610 mm)
B RECOMMENDED RIM HEIGHT	29-7/8" (759 mm)	31-7/8" (810 mm)	33 (838 mm)
C FLOOR CLEARANCE	10-7/8" (276 mm)	12-7/8" (327 mm)	14" (356 mm)

Consult local electrical codes for the mounting location of the 110/24 VAC Class 2 transformer.

For additional technical information, contact the Sloan Installation Engineering Department at 1-888-SLOAN-14 (1-888-756-2614) or techsupport@sloanvalve.com.

SLOAN VALVE COMPANY • 10500 SEYMOUR AVENUE • FRANKLIN PARK, IL 60131

Phone: 1-800-982-5839 or 1-847-671-4300 • Fax: 1-800-447-8329 or 1-847-671-4380 • www.sloanvalve.com