

ELS-62000 SERIES



► **Description**

Double Station Solid Surface Lavatory System Equipped with Sloan OPTIMA® Sensor Activated Faucets.

► **Models**

- ELS-62080 Two Station SloanStone Lavatory with ETF-80 Faucets
- ELS-62085 Two Station SloanStone Lavatory with EBF-85 Faucets
- ELS-62100 Two Station SloanStone Lavatory with EAF-100 Faucets
- ELS-62150 Two Station SloanStone Lavatory with EAF-150 Faucets
- ELS-62200 Two Station SloanStone Lavatory with EAF-200 Faucets
- ELS-62225 Two Station SloanStone Lavatory with EAF-225 Faucets
- ELS-62250 Two Station SloanStone Lavatory with EAF-250 Faucets
- ELS-62275 Two Station SloanStone Lavatory with EAF-275 Faucets
- ELS-62187 Two Station SloanStone Lavatory with EBF-187 Faucets
- ELS-62610 Two Station SloanStone Lavatory with ETF-610 Faucets
- ELS-62615 Two Station SloanStone Lavatory with EBF-615 Faucets
- ELS-62600 Two Station SloanStone Lavatory with ETF-600 Faucets
- ELS-62650 Two Station SloanStone Lavatory with EBF-650 Faucets
- ELS-62210 Two Station Sloanstone Lavatory with SF-2100 Faucets
- ELS-62215 Two Station Sloanstone Lavatory with SF-2150 Faucets
- ELS-62220 Two Station Sloanstone Lavatory with SF-2200 Faucets
- ELS-62225 Two Station Sloanstone Lavatory with SF-2250 Faucets
- ELS-62230 Two Station Sloanstone Lavatory with SF-2300 Faucets
- ELS-62235 Two Station Sloanstone Lavatory with SF-2350 Faucets

► **Specifications**

Double Station Lavatory System with Sloan Sensor Activated, Chrome Plated Hand Washing Faucets with the following features:

- 1¼" chrome plated brass drains with grid strainers
- Below deck Mechanical Mixing Valve, standard
- All ADA and TAS lavatory standards achieved in a single design
- Aesthetically pleasing soft contoured one-piece continuous Basin

Sloan Optima® Electronics feature:

- For more information, please refer to the Faucet Specification Sheet

► **Variations**

- MSD** Soap Dispenser - ESD-350 (battery model), ESD-300 (AC plug-in transformer model)
- BSD** Soap Dispenser - SJS-1650 (SJS-7 AC adaptor provided with plug-in transformer model)

Other options available, contact your Sloan Representative for special requests.

► **Warranty** — 3 year (limited)

► **Colors**

- | | |
|---|---|
| <input type="checkbox"/> WH White | <input type="checkbox"/> MLG Matrix Light Gray |
| <input type="checkbox"/> CO Cameo | <input type="checkbox"/> MDG Matrix Dark Gray |
| <input type="checkbox"/> BO Bone | <input type="checkbox"/> MGR Matrix Green |
| <input type="checkbox"/> PH Peach | <input type="checkbox"/> MBR Matrix Brown |
| <input type="checkbox"/> AL Almond | <input type="checkbox"/> MBO Matrix Bone |
| <input type="checkbox"/> SH Shell | <input type="checkbox"/> MLB Matrix Light Blue |
| <input type="checkbox"/> PE Pea | <input type="checkbox"/> MSA Matrix Sand |
| <input type="checkbox"/> BI Biscuit | <input type="checkbox"/> MDB Matrix Dark Blue |
| <input type="checkbox"/> MWH Matrix White | <input type="checkbox"/> MDU Matrix Dusk |
| <input type="checkbox"/> MSI Matrix Silver | <input type="checkbox"/> MKH Matrix Khaki |
| <input type="checkbox"/> MPI Matrix Pink | <input type="checkbox"/> MSU Matrix Summit |
| <input type="checkbox"/> MJA Matrix Jade | <input type="checkbox"/> MFR Matrix Frost |

The New SloanStone™ Lavatory System — The Perfect Match

The performance and dependability of Sloan Optima® faucets are combined with the durability and versatility of solid surface in the new SloanStone™ Lavatory System. Hygienic and durable, SloanStone™ is stain, chemical, scratch and impact resistant. SloanStone™ sinks can be provided with any one of Sloan's many battery or hardwire Optima® sensor activated faucets and soap dispensers, providing the ultimate in water conservation and hygiene. These features, combined with the unique styling and myriad color options of our solid surface, make SloanStone™ the perfect choice for virtually any restroom installation.



The lavatory system is designed to comply with all applicable ADA, UFAS, Texas Accessibility Standards (TAS), and ANSI Z124.3 and Z124.6 accessibility guidelines when mounted at the recommended rim height. Regulatory Agency approvals available upon request.

This space for Architect/Engineer approval

Job Name _____ Date _____

Model Specified _____ Quantity _____

Variations Specified _____

Customer/Wholesaler _____

Contractor _____

Architect _____

ELS-62000 SERIES

Double Station Lavatory System

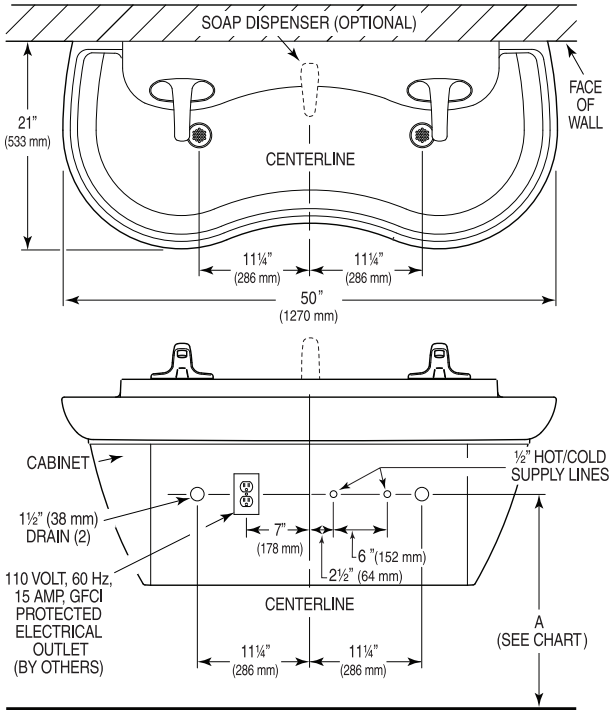
FAUCET OPTIONS



SOAP DISPENSER OPTIONS



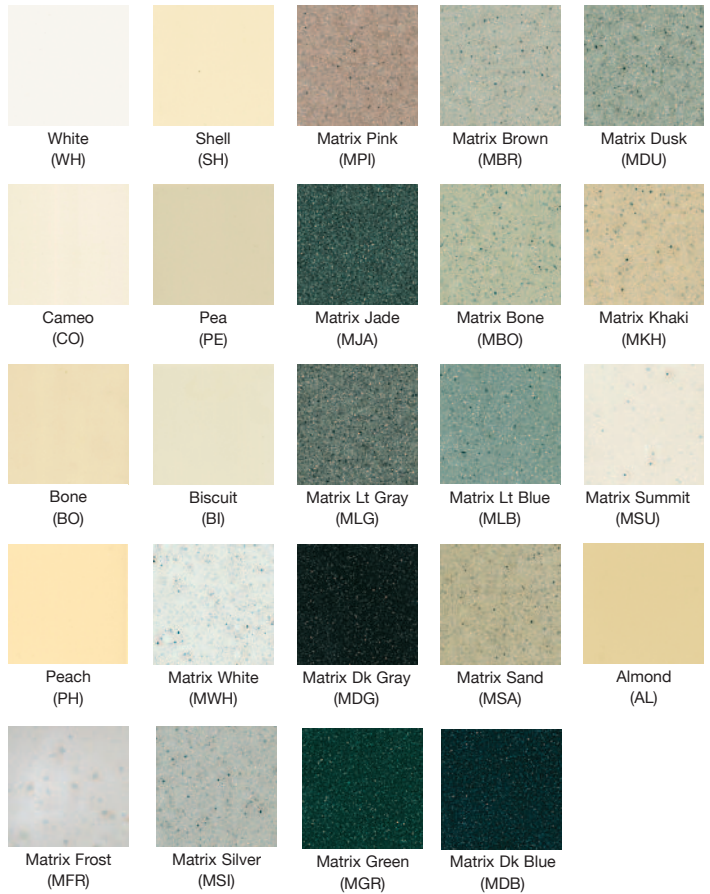
ROUGH-IN



Consult local electrical codes for the mounting location of the 110/24 VAC Class 2 transformer.

For additional technical information, contact the Sloan Installation Engineering Department at 1-888-SLOAN-14 (1-888-756-2614) or techsupport@sloanvalve.com.

SLOANSTONE COLORS

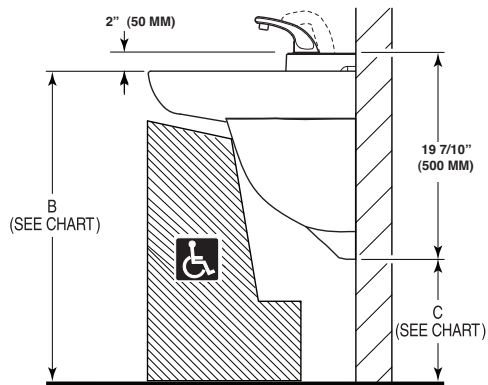
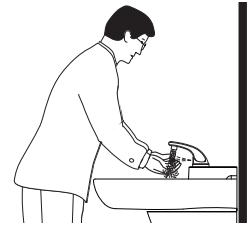


Expanded color options available at: www.sloanvalve.com.

For in stock availability and quick-ship options please contact your local Sloan representative.

OPERATION

As the user's hands enter the beam's effective range, the beam is reflected back into the sensor receiver and activates the solenoid valve allowing water to flow from the faucet. Water will flow until user's hands are removed or until the faucet reaches its automatic time out limit setting.



VARIABLE MOUNTING HEIGHT CHART				
⚠	DIMENSION DESCRIPTION	T.A.S. AGES 4-10	T.A.S. AGES 11-15	A.D.A. STANDARD
A	ROUGH-IN	20-1/2" (521 mm)	22-1/2" (572 mm)	24" (610 mm)
B	RECOMMENDED RIM HEIGHT	29-7/8" (759 mm)	31-7/8" (810 mm)	33" (838 mm)
C	FLOOR CLEARANCE	10-7/8" (276 mm)	12-7/8" (327 mm)	14" (356 mm)

SLOAN VALVE COMPANY • 10500 SEYMOUR AVENUE • FRANKLIN PARK, IL 60131

Phone: 1-800-982-5839 or 1-847-671-4300 • Fax: 1-800-447-8329 or 1-847-671-4380 • www.sloanvalve.com