

► **Code Number**

3315314

► **Description**

Battery Powered, Sensor Activated Electronic Gooseneck Hand Washing Faucet for tempered or hot/cold water operation.

► **Flow Rates**

1.5 gpm / 5.7 Lpm – Spray Head

► **Specifications**

ADA Compliant, Battery Powered, Sensor Activated, Chrome Plated Brass Gooseneck Hand Washing Faucet with the following features:

- Appropriate Mounting Hardware included
- Splash-proof Circuit Control Module
- Isolated Latching Solenoid Operator, isolates magnetic components from water contact
- Serviceable Filtered Solenoid Valve
- Sensor Range Adjustment Screw
- User Friendly Variable Time Out Settings
- Low Battery LED Indicator Light
- Metal Jacketed Wire Protection for Sensor lead
- Includes four (4) AA-size Alkaline Batteries
- Spray Head with Pressure Compensating Flow Control
- Optional 6 VDC Plug-in Adapter available (Batteries act as backup when using optional transformer)

► **Variations**

4 - 4" Trim Plate

► **Indicator Lights**

Range Adjustment

► **Sensor Range**

Factory Set: 4" - 5" (102 mm - 127 mm)

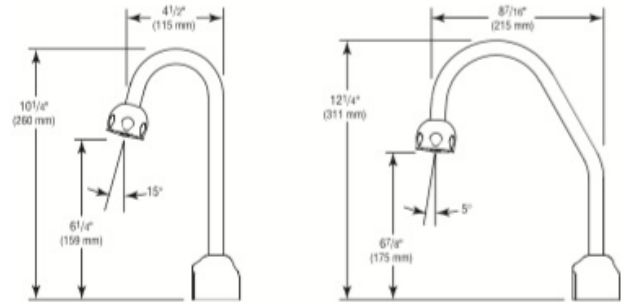
Adjustable: 2" - 7" (51 mm - 178 mm)

► **Battery Life**

2 Years @ 8,000 Cycles / Month

► **Control Circuit**

6 VDC — operates on four (4) alkaline AA-size batteries. Optional 6 VDC Plug-in Adapter.



► **Hygienic**

The ultimate in sanitary protection — there are no handles to turn or buttons to push. Helps to control the spread of infectious diseases. Ideal for high traffic commercial installations.

► **Economical**

Automatic operation provides water usage savings over other faucet devices. Reduces maintenance and operation costs. Self-adaptive Range Adjustment makes installation quick and easy. Battery operation ideal for Retrofit installations.

► **Compliance & Certifications**



ASME A112.18.1 and CSA B125.1

CEC Compliant

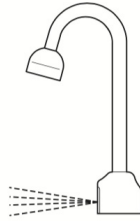
This space for Architect/Engineer Approval

### ► Solenoid Valve

Filtered Solenoid Valve with Serviceable Strainer Filter

### ► Automatic Operation

1. A continuous invisible beam of light is emitted from the OPTIMA® Sensor located at the base of the lavatory faucet.



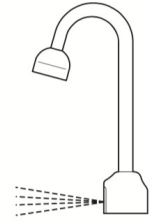
EBF-750 Faucet with Bak-Chek® Tee for Hot and Cold Water Supply

2. As the user's hands enter the beam's effective range, the beam is reflected back into the sensor receiver and activates the solenoid valve allowing tempered water to flow from the faucet. Water will flow until the hands are removed or until the faucet reaches its automatic time out limit setting.



EBF-750 Faucet with ADM Variation Mixing Valve for Hot and Cold Water Supply (shown with 8" trim plate)

3. When hands are moved away from the Optima Sensor, the loss of reflected light initiates an electrical signal that deactivates the solenoid valve, shutting off the water flow. The circuit then automatically resets and is ready for the next user.



EBF-750 Faucet with BDM and BDT Variation Mixing Valves for Hot and Cold Water Supply

### ► Max. Distance Control Module may be installed from Spout

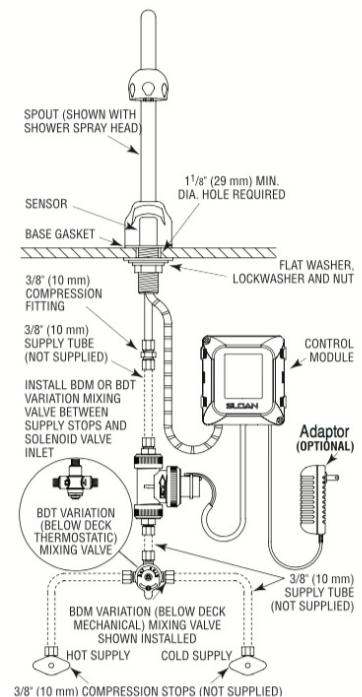
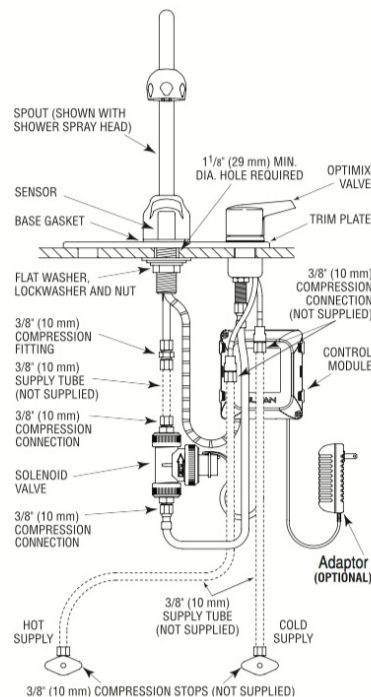
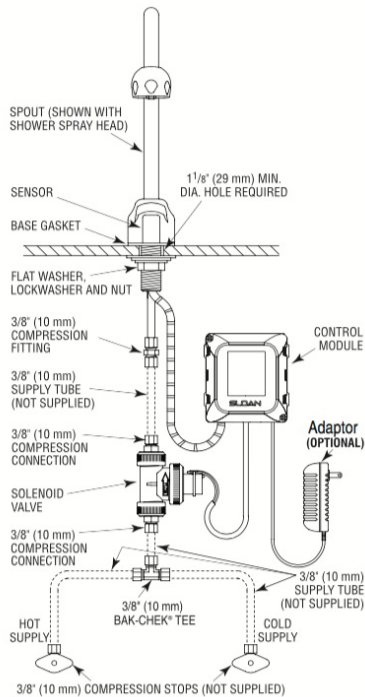
With Standard Cable: 15" (381 mm)

### ► Time Out Adjustment Settings

30 seconds — The Faucet Time Out Setting determines the maximum time the faucet will run upon continuous detection. The EBF-750 is Factory set at the 30 second time out.

### ► ROUGH-IN

EBF-750 Faucet with Bak-Chek® Tee for Hot and Cold Water Supply



EBF-750 Faucet with BDM and BDT Variation Mixing Valves for Hot and Cold Water Supply