

► **Code Number**

3315318

► **Description**

Battery Powered, Sensor Activated Electronic Gooseneck Hand Washing Faucet for tempered or hot/cold water operation.

► **Flow Rates**

1.0 gpm/ 3.8 Lpm

► **Specifications**

ADA Compliant, Battery Powered, Sensor Activated, Chrome Plated Brass Gooseneck Hand Washing Faucet with the following features:

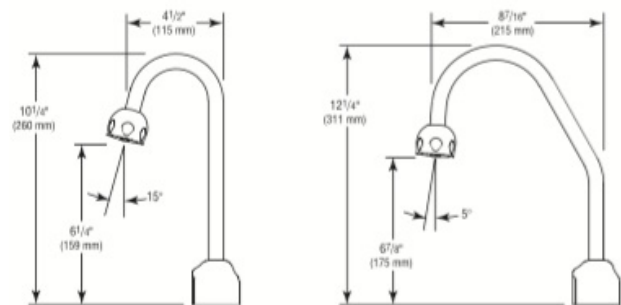
- Appropriate Mounting Hardware included
- Splash-proof Circuit Control Module
- Isolated Latching Solenoid Operator, isolates magnetic components from water contact
- Serviceable Filtered Solenoid Valve
- Sensor Range Adjustment Screw
- User Friendly Variable Time Out Settings
- Low Battery LED Indicator Light
- Metal Jacketed Wire Protection for Sensor lead
- Includes four (4) AA-size Alkaline Batteries
- Spray Head with Pressure Compensating Flow Control
- Optional 6 VDC Plug-in Adapter available (Batteries act as backup when using optional transformer)

► **Variations**

4 - 4" Trim Plate

► **Indicator Lights**

Range Adjustment



► **Hygienic**

The ultimate in sanitary protection — there are no handles to turn or buttons to push. Helps to control the spread of infectious diseases. Ideal for high traffic commercial installations.

► **Economical**

Automatic operation provides water usage savings over other faucet devices. Reduces maintenance and operation costs. Self-adaptive Range Adjustment makes installation quick and easy. Battery operation ideal for Retrofit installations.

► **Compliance & Certifications**



ASME A112.18.1 and CSA B125.1

This space for Architect/Engineer Approval

► Sensor Range

Factory Set: 4" - 5" (102 mm - 127 mm)

Adjustable: 2" - 7" (51 mm - 178 mm)

► Battery Life

2 Years @ 8,000 Cycles / Month

► Control Circuit

6 VDC — operates on four (4) alkaline AA-size batteries. Optional 6 VDC Plug-in Adapter.

► Solenoid Valve

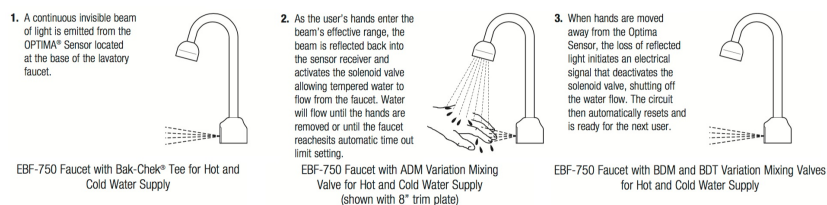
Filtered Solenoid Valve with Serviceable Strainer Filter

► Max. Distance Control Module may be installed from Spout

With Standard Cable: 15" (381 mm)

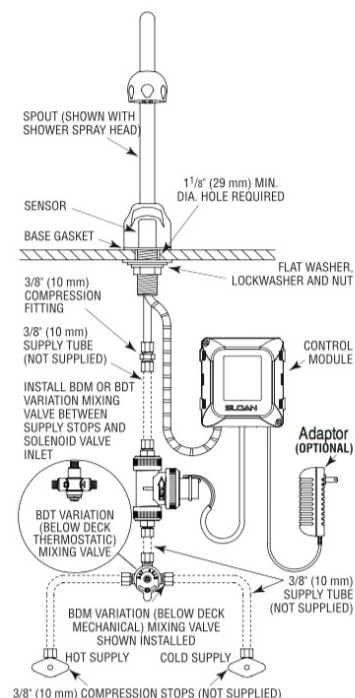
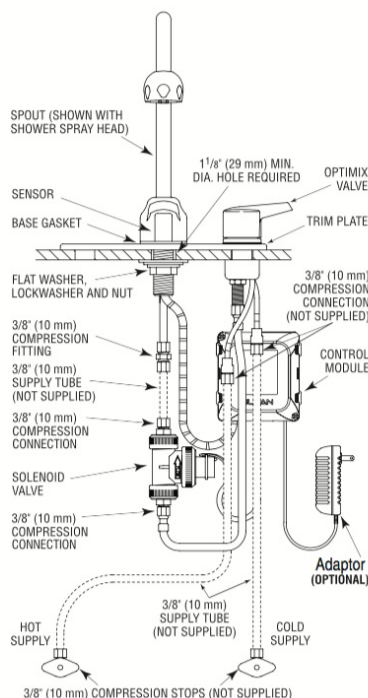
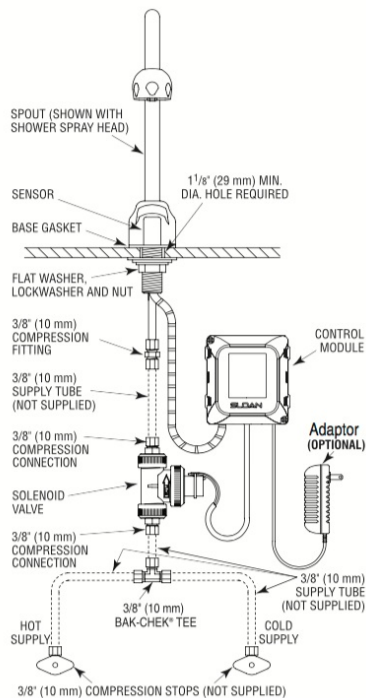
► Time Out Adjustment Settings

30 seconds — The Faucet Time Out Setting determines the maximum time the faucet will run upon continuous detection. The EBF-750 is Factory set at the 30 second time out.



► ROUGH-IN

EBF-750 Faucet with Bak-Chek® Tee for Hot and Cold Water Supply



EBF-750 Faucet with BDM and BDT Variation Mixing Valves for Hot and Cold Water Supply